

ONTARIO
SUPERIOR COURT OF JUSTICE
(COMMERCIAL LIST)

IN THE MATTER OF THE *COMPANIES' CREDITORS ARRANGEMENT ACT*,
R.S.C. 1985, c. C-36, AS AMENDED

AND IN THE MATTER OF A PLAN OF COMPROMISE OR ARRANGEMENT OF PAYLESS
SHOESOURCE CANADA INC. AND PAYLESS SHOESOURCE CANADA GP INC.

(the "Applicants")

INFORMATION MEMORANDUM
WITH RESPECT TO A
PLAN OF COMPROMISE AND ARRANGEMENT

pursuant to the
Companies' Creditors Arrangement Act (Canada) (the "CCAA")

concerning, affecting and involving the Applicants and Payless Shoesource Canada LP (collectively, the
"Payless Canada Entities")



September 17, 2019

This information memorandum (this "**Memorandum**") is being sent to certain creditors of the Payless Canada Entities in connection with meetings called to consider their plan of compromise and arrangement dated September 17, 2019 (as may be amended) (the "**CCAA Plan**") that are scheduled to be held on October 23, 2019 at 10:00 a.m. and 10:15 a.m. (Toronto time). Unless otherwise indicated, capitalized terms not defined herein have the meanings set out in the CCAA Plan.

This Memorandum constitutes a voluntary disclosure by the Payless Canada Entities in connection with the solicitation of votes on the CCAA Plan. Enclosed as additional disclosure is a copy of the Disclosure Statement (as defined below) which has been filed in the United States Bankruptcy Court for the Eastern District of Missouri ("**U.S. Court**") in connection with a *Joint Plan of Reorganization of Payless Holdings LLC and Its Debtor Affiliates Pursuant to Chapter 11 of the Bankruptcy Code* dated August 12, 2019, as amended, supplemented, or modified from time to time in accordance with its terms and most recently amended on September 16, 2019 (the "**U.S. Plan**"). The Payless Canada Entities are not proponents of the U.S. Plan.

The information contained within this Memorandum is not complete and is subject to change. No final voting decision in respect of the CCAA Plan should be undertaken prior to a full review of the CCAA Plan and the related Canadian court materials. ***These materials require your immediate attention. You should consult your legal, financial, tax and other professional advisors in connection with the contents of these documents.***

If you have any questions regarding voting procedures for any other Affected Creditors or other matters or if you wish to obtain additional copies of these materials or information regarding the Payless Canada Entities or their CCAA proceedings, you may contact the court-appointed monitor, FTI Consulting Canada Inc., by telephone at 416 649 8096 or by email at paylesscanada@fticonsulting.com. Copies of these and other materials in the within proceedings are also posted on the following website: <http://cfcanada.fticonsulting.com/paylesscanada/>.

**IN THE MATTER OF THE COMPANIES' CREDITORS ARRANGEMENT ACT,
R.S.C. 1985, c. C-36, AS AMENDED**

**AND IN THE MATTER OF A PLAN OF COMPROMISE OR ARRANGEMENT OF PAYLESS
SHOESOURCE CANADA INC. AND PAYLESS SHOESOURCE CANADA GP INC. (the "Applicants")**

PLAN OF COMPROMISE AND ARRANGEMENT

NOTICE OF CREDITORS' MEETINGS AND SANCTION MOTION
--

TO: The General Unsecured Creditors and Landlords of Payless ShoeSource Canada Inc., Payless ShoeSource Canada GP Inc. and Payless ShoeSource Canada LP (the "**Payless Canada Entities**").

NOTICE IS HEREBY GIVEN that a meeting of the General Unsecured Creditors and a meeting of the Landlords will be held on October 23, 2019 at 10:00 a.m. (Toronto time) and 10:15 a.m. (Toronto time), respectively, at the offices of Cassels Brock & Blackwell LLP (the "**Creditors' Meetings**") for the following purposes:

1. to consider and, if deemed advisable, to pass, with or without variation, a resolution (the "**Plan Resolution**") approving the Plan of Compromise and Arrangement of the Payless Canada Entities pursuant to the *Companies' Creditors Arrangement Act* (Canada) (the "**CCAA**") dated September 17, 2019 (as amended, restated, modified and/or supplemented from time to time in accordance with the terms thereof, the "**CCAA Plan**"); and
2. to transact such other business as may properly come before either of the Creditors' Meetings or any adjournment or postponement thereof.

The Creditors' Meetings are being held pursuant to an order (the "**Meetings Order**") of the Ontario Superior Court of Justice (Commercial List) (the "**Court**") made on September 19, 2019.

Capitalized terms used and not otherwise defined in this notice have the respective meanings given to them in the CCAA Plan or the Meetings Order.

The CCAA Plan contemplates the compromise of Claims of Affected Creditors. Quorum for each of the Creditors' Meetings has been set by the Meetings Order as the presence, in person or by proxy, (i) at the meeting of the General Unsecured Creditors, of one General Unsecured Creditor with a Voting Claim and (ii) at the meeting of the Landlords, of one Landlord with a Voting Claim.

In order for the CCAA Plan to be approved and binding in accordance with the CCAA, the Plan Resolution must be approved by that number of the General Unsecured Creditors and Landlords representing at least a majority in number of Voting Claims, whose General Unsecured Claims and Landlord Claims represent at least two-thirds in value of the Voting Claims of General Unsecured Creditors and Landlords who validly vote (in person or by proxy) on the Plan Resolution at the applicable Creditors' Meetings or were deemed to vote on the Plan Resolution as provided for in the Meetings Order (each a "**Required Majority**"). Each Eligible Voting Creditor will be entitled to one vote at the applicable Creditors' Meetings, which vote will have the value of such person's Voting Claim and Disputed Voting Claim as determined in accordance with the Claims Procedure Order and the Meetings Order. If approved by each of the Required Majorities, the CCAA Plan must also be sanctioned by the Court under the CCAA. Subject to the satisfaction of the other conditions precedent to implementation of the CCAA Plan, all General Unsecured Creditors and Landlords will then receive the treatment set forth in the CCAA Plan.

Forms and Proxies

A General Unsecured Creditor or Landlord may attend at the applicable Creditors' Meeting in person or may appoint another person as its proxyholder by inserting its name or the name of such person in the space provided in the form of proxy provided to General Unsecured Creditors and Landlords by the Monitor, or by completing another valid form of proxy.

In order to be effective, Proxies must be received by the Monitor at FTI Consulting Canada Inc., 79 Wellington Street West, Toronto Dominion Centre, Suite 2010, P.O. Box 2104, Toronto, ON M5K 1G8 (Attention: Ellen Dong), email: paylesscanada@fticonsulting.com by 10:00 am (Toronto time) on October 21, 2019, or 48 hours (excluding Saturdays, Sundays and statutory holidays) prior to any adjourned, postponed or rescheduled Creditors' Meeting. Persons appointed as proxyholders need not be General Unsecured Creditors or Landlords.

If a General Unsecured Creditor or Landlord at the applicable Creditors' Meeting specifies a choice with respect to voting on the Plan Resolution on a proxy, the proxy will be voted in accordance with the specification so made. **In absence of such specification, a proxy will be voted FOR the Plan Resolution provided that the proxyholder does not otherwise exercise its right to vote at the applicable Creditors' Meetings.**

NOTICE IS ALSO HEREBY GIVEN that if the CCAA Plan is approved by each of the Required Majorities at the Creditors' Meetings, the Payless Canada Entities intend to bring a motion before the Court on October 29, 2019 at 10:00 a.m. (Toronto time) or such later date as may be posted on the Monitor's Website, at the Court located at 330 University Avenue, Toronto, Ontario M5G 1R8. The motion will be seeking the granting of the Sanction Order sanctioning the CCAA Plan under the CCAA and for ancillary relief consequent upon such sanction. Any Affected Creditor that wishes to appear or be represented, and to present evidence or arguments, at such Court hearing must file with the Court a Notice of Appearance and serve such Notice of Appearance on the Service List at least seven (7) Business Days before such Court hearing. Any Affected Creditor that wishes to oppose the relief sought at such Court hearing shall serve on the Service List a notice setting out the basis for such opposition and a copy of the materials to be used at such hearing at least seven (7) Business Days before the date set for such hearing, or such shorter time as the Court, by Order, may allow. A copy of the Service List may be obtained from the Monitor's Website at <http://cfcanada.fticonsulting.com/paylesscanada/> together with copies of other materials related to this process.

This Notice is given by the Payless Canada Entities pursuant to the Meetings Order.

DATED this ●th day of September, 2019.

IMPORTANT INFORMATION

THIS MEMORANDUM CONTAINS IMPORTANT INFORMATION THAT SHOULD BE READ BEFORE ANY DECISION IS MADE WITH RESPECT TO THE MATTERS REFERRED TO HEREIN. NO PERSON HAS BEEN AUTHORIZED TO GIVE ANY INFORMATION OR TO MAKE ANY REPRESENTATION NOT CONTAINED IN THIS MEMORANDUM, AND, IF GIVEN OR MADE, SUCH INFORMATION OR REPRESENTATION SHOULD NOT BE RELIED UPON. THIS MEMORANDUM DOES NOT CONSTITUTE AN OFFER TO SELL, OR A SOLICITATION OF AN OFFER TO PURCHASE, SECURITIES, OR THE SOLICITATION OF A PROXY OR VOTE, IN ANY JURISDICTION, TO OR FROM ANY PERSON TO WHOM IT IS UNLAWFUL TO MAKE SUCH OFFER, SOLICITATION OF AN OFFER OR PROXY SOLICITATION IN SUCH JURISDICTION.

Capitalized terms used herein, and not otherwise defined, have the meaning given to them in the CCAA Plan.

This Memorandum is furnished in connection with the solicitation of proxies by and on behalf of the Payless Canada Entities for use at the Creditors' Meetings to be held on October 23, 2019. All summaries of and references to the CCAA Plan in this Memorandum are qualified in their entirety by references to the text of the CCAA Plan, which is set out in **Exhibit "A"** to this Memorandum. All summaries of and references to other documents entered into in connection with the CCAA Plan are qualified in their entirety by the definitive documentation in respect thereof and the terms of such documents may, in accordance with their terms and the CCAA Plan, be amended or supplemented.

Information in this Memorandum is given as at September 17, 2019 unless otherwise indicated. The delivery of this Memorandum will not, under any circumstances, create any implication that there has been no change in the information set forth herein since the date of this Memorandum.

Affected Creditors should not construe the contents of this Memorandum as investment, legal or tax advice. Affected Creditors should consult their own counsel, accountants and other advisors as to legal, tax, business, financial and related aspects of the CCAA Plan. All persons are urged to consult their own tax advisors regarding the tax consequences of the CCAA Plan.

INFORMATION MEMORANDUM

The following is a summary of certain information contained in the CCAA Plan and the additional disclosure documents included in the Information Package (as defined in the Meetings Order). This summary is included for convenience only and is qualified in its entirety by the more detailed information contained elsewhere in the Information Package, including the terms of the CCAA Plan, which should be read by all Affected Creditors to determine whether to approve the CCAA Plan. Unless otherwise indicated, terms not defined herein have the meanings set forth in the CCAA Plan.

The Payless Business

Founded in 1956, Payless Holdings LLC is the parent company of the Payless Canada Entities and certain other entities, some of which are subject to U.S. bankruptcy proceedings described in more detail below (collectively, “**Payless**”). Payless is an iconic footwear retailer selling quality shoes at affordable prices in a self-select environment. As of February 18, 2019, Payless had nearly 3,400 stores in more than 40 countries across the world and was a globally-recognized brand. As of February 18, 2019, Payless operated through its three (3) business segments (North America, Latin America, and franchised stores).

Historically, Payless offered its budget-conscious customers outstanding value on basic, on-trend and special occasion footwear through a national assisted-service store footprint, localized assortment, and a low-cost integrated-sourcing business model, including a significant online presence. This business model depended upon (a) identifying and developing on-trend merchandise, (b) developing strong relationships with branding partners, and (c) maintaining an overseas sourcing network that could develop and produce products at a scale and cost necessary to serve Payless’ customers.

The Payless Canada Entities are the Canadian subsidiaries of Payless, which as of February 19, 2019, operated over 240 locations across Canada. All of the Canadian locations are now closed.

The Restructuring Proceedings

On February 19, 2019 (the “**Filing Date**”), Payless ShoeSource Canada Inc. and Payless ShoeSource Canada GP Inc. sought and obtained an initial order (the “**Initial Order**”) under the *Companies’ Creditors Arrangement Act* (Canada) (the “**CCAA**”) from the Court. The Initial Order’s protections extend to Payless ShoeSource Canada LP. The stay period set out in the Initial Order has been extended several times, most recently to December 20, 2019, to allow the Payless Canada Entities to pursue the CCAA Plan (as defined below) as described in this Memorandum.

The Payless Canada Entities were among the 27 Payless entities that filed voluntary petitions for relief under chapter 11 of the Bankruptcy Code in the United States Bankruptcy Court for the Eastern District of Missouri on February 18, 2019 (the “**U.S. Proceedings**”). On July 7, 2019, two (2) additional Payless entities filed voluntary petition for relief. The chapter 11 cases of all 29 entities are jointly administered in the U.S. Proceedings. For purposes of this Memorandum “U.S. Debtors” refers to the debtors in the U.S. Proceedings other than the Payless Canada Entities.

The restructuring proceedings involve both Canadian and U.S. entities. In light of the cross-border nature of the restructuring proceedings, both the Canadian Court and the U.S. Court approved a cross-border protocol. The U.S. Proceedings and those under the CCAA are intended to be coordinated to the fullest possible extent.

Filing of the CCAA Plan and the U.S. Plan

On September 17, 2019, the Payless Canada Entities filed a Plan of Compromise and Arrangement under the CCAA dated September 17, 2019 (the “**CCAA Plan**”). On September 17, 2019,

the Court granted the Meetings Order, which, among other things, accepted the CCAA Plan for filing, established two classes of Affected Creditors for the purposes of considering and voting on the CCAA Plan and authorized the Payless Canada Entities to call, hold and conduct the Creditors' Meetings. A high level summary of the CCAA Plan and the Creditors' Meetings can be found below. **A copy of the CCAA Plan is set out as Exhibit "A" to this Memorandum.**

On August 12, 2019, the U.S. Debtors filed a *Joint Plan of Reorganization of Payless Holdings LLC and Its Debtor Affiliates Pursuant to Chapter 11 of the Bankruptcy Code* (the "**U.S. Plan**"), dated August 12, 2019, as amended, supplemented, or modified from time to time in accordance with its terms and most recently amended on September 16, 2019. The U.S. Debtors also filed the disclosure statement attached as **Exhibit "B"** hereto (the "**Disclosure Statement**") to provide additional disclosure to the U.S. Debtors' stakeholders. On September 18, 2019, the U.S. Court approved the Disclosure Statement and authorized the U.S. Debtors to solicit votes on the U.S. Plan. Creditors of the Payless Canada Entities are not entitled to vote on the U.S. Plan. However, as described below, the U.S. Plan may influence recoveries to Affected Creditors and as such, Affected Creditors are urged to review the Disclosure Statement. A copy of the Disclosure Statement is set out as **Exhibit "B"** to this Memorandum. The U.S. Plan and Disclosure Statement may be updated in the future. Additional information regarding the U.S. Plan and Disclosure Statement are available at <https://cases.primeclerk.com/pss/>.

Creditors' Meetings

Meetings of the Affected Creditors of the Payless Canada Entities will be held on October 23, 2019 at the offices of Cassels Brock & Blackwell LLP, Suite 2100, Scotia Plaza, 40 King Street West, Toronto ON M5H 3C2. The purpose of the Creditors' Meetings is to consider and, if thought advisable, to pass, with or without variation, the Plan Resolutions to approve the CCAA Plan proposed by the Payless Canada Entities under the CCAA.

For the reasons set out in this summary, the balance of the Memorandum, and the Monitor's Supplemental Report dated September 17, 2019, the Payless Canada Entities and the Monitor recommend that all Affected Creditors vote FOR the applicable Plan Resolution to approve the CCAA Plan. A copy of the Monitor's Supplemental Report (without exhibits) is attached hereto as **Exhibit "C"**.

Instructions for voting at the meeting in person or by proxy can be found in these materials.

The CCAA Plan

The purpose of the CCAA Plan is to coordinate, on a cross-border basis with the U.S. Proceedings, a cost-effective means of making distributions to the Affected Creditors in the expectation that Persons who have an economic interest in any of the Payless Canada Entities, when considered as a whole, will derive a greater benefit from the implementation of the CCAA Plan than would result from a bankruptcy of the Payless Canada Entities.

It is also contemplated that certain amounts will be distributed from the Payless Canada Entities to, or for the ultimate benefit of, the Term Loan Lenders outside of the CCAA Plan.

The Plan will become effective in the sequence to be described in the Plan Supplement. The Plan Supplement is to be served by the Payless Canada Entities by no later than 5 Business Days before the Creditors' Meetings, or such later date as may be agreed with the Monitor and the Supporting Term Loan Lenders.

The CCAA Plan is separate from the U.S. Plan and creditors of the Payless Canada Entities are not entitled to vote on the U.S. Plan. Creditors of the Payless Canada Entities should be aware that the U.S. Plan is relevant to the CCAA Plan because (i) implementation of the U.S. Plan is a condition precedent to implementation of the CCAA Plan and (ii) the CCAA Plan is intended to provide a recovery to unsecured creditors that is similar to the recovery to general unsecured creditors of similarly situated

U.S. Debtors.

The U.S. Plan

A hearing to consider confirmation of the U.S. Plan is scheduled to be held before Judge Kathy A. Surratt-States at 10:00 a.m. (Central time), October 23, 2019. Confirmation details are provided in Article VII of the Disclosure Statement. The Payless Canada Entities are not plan proponents under the U.S. Plan. Creditors of the Payless Canada Entities are not entitled to vote on the U.S. Plan.

In light of the limited recoveries available to unsecured creditors, the U.S. Plan constitutes a compromise that returns value to creditors and reduces the professional fees that would be incurred in the valuation litigation required to establish the entitlement of unsecured creditors at each U.S. Debtor.

The U.S. Plan contemplates that the Term Loan Lenders holding tranche A-1 claims will receive their *pro rata* share of US\$68,800,000 and the Term Loan Lenders holding tranche A-2 claims can elect to receive (i) their *pro rata* share of common ownership units in the reorganized Payless Holdings LLC, or (ii) cash in the amount of 10% of their allowed tranche A-2 claims.

Under the U.S. Plan, unsecured creditors are divided into two classes, Class 5A and Class 5B. The unsecured creditors in Class 5A are creditors of certain U.S. Debtors (specifically Payless ShoeSource Worldwide, Inc. and Collective Brands Logistics Limited) which have certain unencumbered assets. The unsecured creditors in Class 5B are creditors of the remaining U.S. Debtors which, like the Payless Canada Entities, have granted security over substantially all of their assets in favour of the Term Loan Agent and the Term Loan Lenders. Recognizing this potential distinction in legal entitlements, the U.S. Debtors have negotiated with their stakeholders and determined that creditors in Class 5A will receive their *pro rata* share of US\$8.4 million plus certain unused amounts currently designated for professional fees, while creditors in Class 5B will receive their *pro rata* share of US\$5.1 million plus certain unused amounts currently designated for professional fees (less the Canadian GUC Amount (defined below)).

The U.S. Plan describes the intent to seek dismissal of the Payless Canada Entities' U.S. Proceedings and facilitate a distribution to the unsecured creditors of the Payless Canada Entities through the CCAA Plan. After significant negotiation among the U.S. Debtors, the Payless Canada Entities, and their stakeholders (including the Monitor, the Term Loan Lenders and the UCC), the parties have fixed the amount for distribution to the Payless Canada Entities at \$US900,000, which will be converted to Canadian dollars in the amount of \$1.18 million (using the exchange rate of 1.351) (the "**Canadian GUC Amount**").

The Canadian GUC Amount is expected to provide Canadian unsecured creditors with a return similar to that of creditors in Class 5B. The Canadian GUC Amount is a fixed amount based on a high-level analysis of the claims asserted at the applicable entities and will not be adjusted in the event that claims against the U.S. Debtors or the Payless Canada Entities are higher or lower than expected.

Approval of the CCAA Plan

The CCAA Plan provides that unsecured claims of Landlords will be separately classified. The CCAA Plan provides for a payment to all Proven Landlord Claims of the lesser of \$3,840.00 and the amount asserted in the Landlord's Notice of Dispute of Claim Statement or Proof of Claim or, if no Notice of Dispute of Claim Statement or Proof of Claim was delivered, such Landlord's Claim Statement. Only one distribution to Landlords will be made in respect of each Lease regardless of whether one or more Person is identified as the Landlord under the Lease.

For the purposes of considering and voting on the Plan Resolutions, there will be two classes of Affected Creditors: (i) the General Unsecured Creditor class, and (ii) the Landlord class.

At the Creditors' Meetings, Affected Creditors will be asked to consider and, if thought advisable, approve the Plan Resolution. The Plan Resolution must be approved by the Required Majorities of Affected Creditors present in person or represented by proxy at each of the Creditors' Meetings with each Affected Creditor holding a Voting Claim entitled to one vote at the applicable Creditors' Meeting, which vote will have the value of such person's Voting Claim. Creditors holding Disputed Voting Claims may vote their Claims and have such votes separately recorded.

Procedures for Voting at the Creditors' Meetings

Affected Creditors

Each Affected Creditor entitled to vote at a Creditors' Meeting may vote at the applicable Creditors' Meeting in person or by proxy. An Affected Creditor may appoint another person as its proxyholder by completing the form of proxy, as applicable. Forms of proxy for use at the Creditors' Meetings are attached to the Creditors' Meetings Order.

In order to be effective, proxies must be received by the Monitor at FTI Consulting Canada Inc., 79 Wellington Street West, Toronto Dominion Centre, Suite 2010, P.O. Box 2104, Toronto, ON M5K 1G8 (Attention: Ellen Dong), email: paylesscanada@fticonsulting.com prior to the Proxy Deadline (as defined in the Meetings Order). Persons appointed as proxyholders need not be General Unsecured Creditors or Landlords.

An Affected Creditor may indicate on the form of proxy how it wishes its proxyholder to vote. Proxies in favour of the Monitor will be voted on any ballot that may be called for and, when the Affected Creditor has specified a choice, will be voted in accordance with that specification. **In the absence of any specification on the proxy, the proxy will be voted FOR approval of the applicable Plan Resolution.**

Conditions to Implementation of the CCAA Plan

In order for the CCAA Plan to be implemented, the following conditions, among others, must be satisfied:

- (a) the CCAA Plan shall have been approved by the Required Majorities;
- (b) the Court shall have granted the Sanction Order the operation and effect of which shall not have been stayed, reversed or amended and in the event of an appeal or application for leave to appeal, final determination shall have been made by the appellate court;
- (c) the Payless Canada Entities shall have funded:
 - (i) the Administrative Reserve;
 - (ii) the Priority Claim Reserve;
 - (iii) the Directors' Claim Reserve;
 - (iv) the Post-Filing Claim Reserve;
 - (v) the General Unsecured Pool, to be held in the Affected Creditor Distribution Account; and
 - (vi) the Landlord Pool, to be held in the Affected Creditor Distribution Account;
- (d) the U.S. Proceedings with respect to the Payless Canada Entities shall have been dismissed;

- (e) the U.S. Plan shall have become effective;
- (f) the Monitor shall have received written confirmation from Supporting Term Loan Lenders that the Supporting Term Loan Lenders are satisfied with (i) the treatment of the Post-Filing Intercompany Loans, (ii) the form and substance of the Plan Supplement, and (iii) all variations and modifications of, and amendments and supplements to the Plan, the Plan Supplement and the Sanction Order, to and including the Implementation Date;
- (g) the Implementation Date shall have occurred no later than the Outside Date.

If the approval of the Affected Creditors is obtained, the hearing in respect of the Sanction Order is scheduled for October 29, 2019 at 10:00 a.m. (Toronto time) or such later date as may be posted on the Monitor's Website, at the Court located at 330 University Avenue, Toronto, Ontario M5G 1R8.

Any objections to the sanction of the CCAA Plan must be served on the Payless Canada Entities, the Monitor and the Service List no later than seven (7) Business Days prior to the hearing.

Certain Canadian Federal Income Tax Considerations

The following is a summary of the principal Canadian federal income tax considerations under the ITA of the Plan applicable to a General Unsecured Creditor who, at all relevant times for purposes of the ITA, is resident or deemed to be resident in Canada, deals at arm's length with, and is not affiliated with, the Payless Canadian Entities and holds its Claims as capital property (a "**Holder**"). A Claim will generally be considered to be capital property for this purpose to a Holder, unless either the Holder acquires or holds the Claim in the course of carrying on a business or the Holder has held or acquired the Claim in a transaction or transactions considered to be an adventure or concern in the nature of trade.

This summary is based on the current provisions of the ITA and counsel's understanding of the current published administrative policies and assessing practices of the Canada Revenue Agency. This summary also takes into account all specific proposals to amend the ITA that have been publicly announced by or on behalf of the Minister of Finance (Canada) prior to the date hereof (the "**Tax Proposals**"), and assumes that the Tax Proposals will be enacted in the form proposed, although no assurance can be given that the Tax Proposals will be enacted in the form proposed or at all. Except for the Tax Proposals, this summary does not take into account or anticipate any changes in law or administrative policy or assessing practice, whether by way of legislative, judicial, regulatory or administrative decision or action, nor does it address any other federal or any foreign, provincial or territorial tax considerations.

The following summary is of a general nature only and is not intended to be, and should not be construed to be, legal or tax advice to Holders, and no representation with respect to the tax consequences to any particular Holder is made. Accordingly, all Holders should consult with their own tax advisors for advice with respect to the income tax consequences to them of the CCAA Plan. The discussion below is qualified accordingly.

This summary does not describe the income tax consequences under the CCAA Plan to an Affected Creditor, other than a General Unsecured Creditor. Such persons should consult their own tax advisors in this regard.

For purposes of the ITA, all amounts relevant in computing the income, taxable income and taxes payable by a Holder must be determined in Canadian dollars based on the exchange rate quoted by the Bank of Canada on the date such amount first arose or such other exchange rate that is acceptable to the Minister of National Revenue.

This summary is not applicable to a Holder (i) that is a "financial institution" for purposes of the "mark-to-market" rules, (ii) that is a "specified financial institution", (iii) an interest in which is a "tax shelter investment", (iv) that has elected to report its "Canadian tax results" in a currency other than the Canadian currency, or (v) that has entered or will enter into a "derivative forward agreement" or a "synthetic disposition arrangement" with respect to its Claim, all within the meaning of the ITA. All such Holders should consult with their own tax advisors.

Settlement of General Unsecured Claims

A Holder will be considered to have disposed of its General Unsecured Claim for proceeds of disposition equal to the amount received on settlement of such Claim under the CCAA Plan. A Holder will realize a capital gain (or capital loss) equal to the amount by which the proceeds of disposition, net of any portion of the amount received by the Holder which is included in the Holder's income as interest, exceeds (or is less than) the Holder's adjusted cost base of such Claim and any reasonable costs of disposition. Any such capital gain (or capital loss) will be subject to the tax treatment described below under "*Certain Canadian Federal Income Tax Considerations Taxation of Capital Gains and Capital Losses*".

Allocation of CCAA Plan Consideration

Under the CCAA Plan, the amount received by a Holder on settlement of its General Unsecured Claim will be allocated first to the principal amount of its General Unsecured Claim and the balance, if any, to the accrued and unpaid interest on its General Unsecured Claim.

Interest on General Unsecured Claims

A Holder that is a corporation, partnership, unit trust or any trust of which a corporation or partnership is a beneficiary will be required to include in income for a taxation year any interest on the General Unsecured Claims that accrues (or is deemed to accrue) to it in that taxation year or that is received or becomes receivable by it in that year, except to the extent that such interest was included in computing its income for a preceding taxation year.

Any other Holder, including an individual, will be required to include in computing its income for a taxation year any interest on the Claims that is received or receivable by such Holder in that taxation year, except to the extent that such amount was otherwise included in its income for the year or a preceding taxation year.

Where a Holder included an amount in income on account of accrued and unpaid interest on a General Unsecured Claim, the Holder should be entitled to a deduction of an equivalent amount in computing income to the extent that such amount was not received by it on or before the settlement of the General Unsecured Claims pursuant to the CCAA Plan.

Taxation of Capital Gains and Capital Losses

In general, one-half of any capital gain (a “**taxable capital gain**”) realized by a Holder in a taxation year will be included in the Holder’s income in the year and one-half of the amount of any capital loss (an “**allowable capital loss**”) realized by a Holder in a taxation year is required to be deducted from taxable capital gains realized by the Holder in the year. Allowable capital losses in excess of taxable capital gains for a taxation year may be carried back three years or forward indefinitely, subject to the rules in the ITA. The amount of any capital loss realized by a Holder that is a corporation on the disposition of a share may be reduced by the amount of dividends previously received (or deemed to have been received) by it on such share (or on a share for which the share has been substituted) subject to the rules in the ITA. Similar rules may apply where a corporation is a member of a partnership or a beneficiary of a trust that owns shares, directly or indirectly, through a partnership or a trust.

Additional Refundable Tax

A Holder that is a “Canadian-controlled private corporation” (as defined in the ITA) may be liable to pay an additional refundable tax on certain investment income including amounts in respect of interest and taxable capital gains.

Alternative Minimum Tax

Capital gains realized by an individual (including certain trusts) may give rise to liability for alternative minimum tax under the detailed rules set out in the ITA.

Additional Information and Inquiries

If you have any questions regarding voting procedures for any other Affected Creditors or other matters or if you wish to obtain additional copies of these materials or information regarding the Payless Canada Entities or their CCAA proceedings, you may contact the court-appointed monitor, FTI Consulting Canada Inc., by telephone at 416 649 8096 or by email at paylesscanada@fticonsulting.com. Copies of these materials and other materials in the within proceedings are also posted on the following website: <http://cfcanada.fticonsulting.com/paylesscanada/>.

EXHIBIT "A"
CCAA PLAN OF COMPROMISE AND ARRANGEMENT

**ONTARIO
SUPERIOR COURT OF JUSTICE
(COMMERCIAL LIST)**

**IN THE MATTER OF THE *COMPANIES' CREDITORS ARRANGEMENT ACT*,
R.S.C. 1985, c. C-36, AS AMENDED**

**AND IN THE MATTER OF A PLAN OF COMPROMISE OR ARRANGEMENT OF PAYLESS
SHOESOURCE CANADA INC. AND PAYLESS SHOESOURCE CANADA GP INC.**

(the "**Applicants**")

PLAN OF COMPROMISE AND ARRANGEMENT

PURSUANT TO THE *COMPANIES' CREDITORS ARRANGEMENT ACT*

concerning, affecting and involving

**PAYLESS SHOESOURCE CANADA INC., PAYLESS SHOESOURCE CANADA GP INC., and
PAYLESS SHOESOURCE CANADA LP**

September 17, 2019

PLAN OF COMPROMISE AND ARRANGEMENT

A. Payless ShoeSource Canada Inc. and Payless ShoeSource Canada GP Inc., collectively the “**Applicants**” are debtor companies (as such term is defined in the *Companies’ Creditors Arrangement Act*, R.S.C. 1985, c. C-36, as amended (the “**CCAA**”)).

B. On February 19, 2019, the Honourable Regional Senior Justice Morawetz of the Ontario Superior Court of Justice (Commercial List) (the “**Court**”) granted an Initial Order in respect of the Applicants (as such Order may be amended, restated or varied from time to time, the “**Initial Order**”) pursuant to the CCAA. The protections of the Initial Order extend to Payless ShoeSource Canada LP (together with the Applicants, the “**Payless Canada Entities**”).

C. On September 17, 2019, the Court granted a Meetings Order (as such Order may be amended, restated or varied from time to time, the “**Meetings Order**”) pursuant to which, among other things, the Payless Canada Entities were authorized to file this Plan and to convene meetings of Affected Creditors to consider and vote on this Plan.

NOW THEREFORE the Payless Canada Entities hereby propose and present this plan of compromise and arrangement under the CCAA.

ARTICLE 1 INTERPRETATION

1.1 Certain Rules of Interpretation

For the purposes of this Plan:

- (a) In this Plan and the Recitals, unless otherwise stated or the subject matter or context otherwise requires, all terms defined herein have their meanings ascribed thereto on Schedule “A”;
- (b) Any reference in this Plan to a contract, instrument, release, indenture or other agreement or document being in a particular form or on particular terms and conditions means such document shall be substantially in such form or substantially on such terms and conditions;
- (c) Unless otherwise expressly provided herein, any reference in this Plan to an instrument, agreement or an Order or an existing document or exhibit filed or to be filed means such instrument, agreement, Order, document or exhibit as it may have been or may be amended, modified, or supplemented in accordance with its terms;
- (d) The division of this Plan into articles and sections is for convenience of reference only and does not affect the construction or interpretation of this Plan, nor are the descriptive headings of articles and sections intended as complete or accurate descriptions of the content thereof;
- (e) The use of words in the singular or plural, or with a particular gender, including a definition, shall not limit the scope or exclude the application of any provision of this Plan to such Person (or Persons) or circumstances as the context otherwise permits;
- (f) The words “includes” and “including” and similar terms of inclusion shall not, unless expressly modified by the words “only” or “solely”, be construed as terms

of limitation, but rather shall mean “includes but is not limited to” and “including but not limited to”, so that references to included matters shall be regarded as illustrative without being either characterizing or exhaustive;

- (g) Unless otherwise specified, all references to time herein and in any document issued pursuant hereto mean local time in Toronto, Ontario and any reference to an event occurring on a Business Day shall mean prior to 5:00 p.m. on such Business Day;
- (h) Unless otherwise specified, time periods within or following which any payment is to be made or act is to be done shall be calculated by excluding the day on which the period commences and including the day on which the period ends;
- (i) Unless otherwise provided, any reference to a statute or other enactment of parliament, a legislature or other Governmental Entity includes all regulations made thereunder, all amendments to or re-enactments of such statute or regulations in force from time to time, and, if applicable, any statute or regulation that supplements or supersedes such statute or regulation;
- (j) References to a specific Recital, Article or Section shall, unless something in the subject matter or context is inconsistent therewith, be construed as references to that specific Recital, Article or Section of this Plan, whereas the terms “this Plan”, “hereof”, “herein”, “hereto”, “hereunder” and similar expressions shall be deemed to refer generally to this Plan and not to any particular Recital, Article, Section or other portion of this Plan and include any documents supplemental hereto; and
- (k) The word “or” is not exclusive.

1.2 Governing Law

This Plan shall be governed by and construed in accordance with the laws of Ontario and the federal laws of Canada applicable therein. All questions as to the interpretation or application of this Plan and all proceedings taken in connection with this Plan and its provisions shall be subject to the jurisdiction of the Court.

1.3 Currency

Unless otherwise stated, all references in this Plan to sums of money are expressed in, and all payments provided for herein shall be made in, Canadian dollars. In accordance with paragraph 8 of the Claims Procedure Order, any Claim (other than Priority Claims) in a currency other than Canadian dollars must be converted to Canadian dollars, and any such amount shall be regarded as having been converted at the daily exchange rate quoted by the Bank of Canada for exchanging such currency to Canadian dollars as at the Filing Date, which rate for the conversion of United States currency is CAD\$1:US\$1.323, notwithstanding anything in the Claims Procedure Order.

1.4 Date for Any Action

If the date on which any action is required to be taken hereunder by a Person is not a Business Day, such action shall be required to be taken on the next succeeding day which is a Business Day.

1.5 Time

Time shall be of the essence in this Plan.

ARTICLE 2 PURPOSE AND EFFECT OF THIS PLAN

2.1 Purpose

The purpose of this Plan is to coordinate, on a cross-border basis with the U.S. Proceedings, a cost-effective means of making distributions to the Affected Creditors in the expectation that Persons who have an economic interest in any of the Payless Canada Entities, when considered as a whole, will derive a greater benefit from the implementation of this Plan than would result from a bankruptcy of the Payless Canada Entities.

The Term Loan Agent holds a valid and enforceable security interest in all of the assets, undertakings and properties of the Payless Canada Entities in respect of the Term Loan Claims. It is contemplated that certain amounts will be distributed from the Payless Canada Entities to, or for the ultimate benefit of, the Term Loan Lenders outside of this Plan.

2.2 Effectiveness

Subject to the satisfaction, completion or waiver (to the extent permitted pursuant to section 9.4) of the conditions precedent set out herein, this Plan will become effective in the sequence described in the Plan Supplement from and after the Effective Time and shall be binding on and enure to the benefit of the Payless Canada Entities, the Affected Creditors, the Released Parties, and all other Persons as provided for herein, or subject to, this Plan and their respective successors and assigns and their respective heirs, executors, administrators and other legal representatives, successors and assigns.

2.3 Persons Not Affected

- (a) This Plan does not affect Unaffected Creditors to the extent of their Unaffected Claims. Nothing in this Plan shall affect the Payless Canada Entities' rights and defences, both legal and equitable, with respect to any Unaffected Claims, including, but not limited to, all rights with respect to legal and equitable defences or entitlements to set-offs or recoupments against such Unaffected Claims, provided, however that the Payless Canada Entities hereby irrevocably (i) waive all such rights and defences with respect to the Term Loan Claims, and (ii) acknowledge that the security interests of the Term Loan Agent are valid and enforceable in accordance with their terms as against the Payless Canada Entities and their respective assets, undertakings and properties and stand as security for the Term Loan Claims. Except as otherwise provided for herein, nothing herein shall constitute a waiver of any rights of any Payless Canada Entity to dispute the quantum or validity of an Unaffected Claim. Other than with respect to Affected Claims and Released Claims this Plan does not affect or otherwise impair the Claims of any Person as against the Payless Canada Entities.

ARTICLE 3
CLASSIFICATION, VOTING CLAIMS AND RELATED MATTERS

3.1 Classes

For the purposes of considering, voting on, and receiving distributions under this Plan, the Affected Creditors shall constitute two classes: (i) the General Unsecured Creditor class; and (ii) the Landlord class.

3.2 Claims of Affected Creditors

- (a) Except as otherwise provided in the Meetings Order or this Plan, Affected Creditors shall be entitled to vote their Voting Claims or Disputed Voting Claims at the applicable Creditors' Meeting(s) in respect of this Plan and shall be entitled to receive distributions on account of their Proven Claims as provided under and pursuant to this Plan.
- (b) Holders of Intercompany Claims shall not be entitled to vote at the Creditors' Meetings

3.3 Unaffected Claims

Unaffected Claims shall not be compromised under this Plan. No Unaffected Creditor shall be:

- (a) entitled to vote or (except as otherwise expressly stated in the Meetings Order or this Plan) attend in respect of their Unaffected Claims at any Creditors' Meetings to consider and approve this Plan; or
- (b) entitled to receive any distribution or consideration under this Plan in respect of such Unaffected Claim;

provided, however, nothing in this Plan, other than provisions related to the Affected Creditor Distribution Account, shall prohibit or impair any distributions to the Term Loan Lenders or the Term Loan Agent in respect of the Term Loan Claims, whether in the CCAA Proceedings or the U.S. Proceedings or otherwise.

Notwithstanding the above, the Supporting Term Loan Lenders and the Term Loan Agent may attend at the Creditors' Meetings but shall not be entitled to vote at the Creditors' Meetings in respect of any portion of the Term Loan Claims.

3.4 Creditors' Meetings

- (a) The Creditors' Meetings shall be held in accordance with this Plan, the Meetings Order and any further Order in the CCAA Proceedings.
- (b) If this Plan is approved by the Required Majorities in each voting class, then this Plan shall be deemed to have been agreed to, accepted and approved by the Affected Creditors and shall be binding upon all Affected Creditors immediately upon the delivery of the Monitor's Certificate in accordance with section 9.6 hereof.

3.5 Procedure for Valuing Voting Claims

The procedure for valuing Voting Claims and resolving Disputed Voting Claims of Eligible Voting Creditors shall be as set forth in the Claims Procedure Order, the Meetings Order, this Plan and the CCAA. The Payless Canada Entities and the Monitor shall have the right to seek the assistance of the Court in valuing any Voting Claim in accordance with the Claims Procedure Order, the Meetings Order and this Plan, if required, and to ascertain the result of any vote on this Plan.

ARTICLE 4 TREATMENT OF CLAIMS

4.1 Treatment of General Unsecured Claims

On the Implementation Date and in accordance with this Plan, each Proven General Unsecured Claim shall be entitled to receive a distribution in an amount equal to its General Unsecured Pro Rata Share of the General Unsecured Pool from the Affected Creditor Distribution Account.

4.2 Treatment of Landlord Claims

- (a) On the Implementation Date and in accordance with this Plan, each Proven Landlord Claim shall be entitled to receive a distribution in an amount equal to the lesser of \$3,840.00 and the amount asserted in such Landlord's Notice of Dispute of Claim Statement or Proof of Claim, or if no Notice of Dispute of Claim Statement or Proof of Claim was filed, such Landlord's Claim Statement.
- (b) Only one distribution under 4.2(a) will be made in respect of each Lease regardless of whether one or more Person is identified as the Landlord under the Lease.

4.3 Treatment of Intercompany Claims

On the Implementation Date and in accordance with the steps and sequence as set forth in the Plan Supplement, all Intercompany Claims shall be preserved or extinguished at the election of the Payless Canada Entities, with the consent of the Supporting Term Loan Lenders.

4.4 Priority Claims

- (a) In accordance with the Sanction Order, the CCAA and with the steps and in the sequence set forth herein and the Plan Supplement, the Employee Priority Claims and the Crown Priority Claims, if any, shall be paid from the Priority Claim Reserve Account.
- (b) Subject to the Effective Time occurring: (i) all Crown Priority Claims that were outstanding as at the Filing Date shall be paid in full by the Monitor on behalf of the Payless Canada Entities, from the Priority Claim Reserve within six (6) months after the Sanction Order, as required by subsection 6(3) of the CCAA; and (ii) all Employee Priority Claims to the extent unpaid prior to the Implementation Date shall be paid by the Monitor, on behalf of the Payless Canada Entities, from the Priority Claim Reserve immediately after the Sanction Order as required by subsection 6(5) of the CCAA.

4.5 Disputed Claims

Any Affected Creditor with a Disputed Claim shall not be entitled to receive any distribution hereunder with respect to such Disputed Claim unless and until such Claim becomes a Proven Claim or a Proven Priority Claim in accordance with the Meetings Order. Distributions pursuant to and in accordance with this Plan shall be paid or distributed in respect of any Disputed Claim that is finally determined to be a Proven Claim in accordance with this Plan and the Meetings Order.

4.6 Director/Officer Claims

All Director/Officer Claims that are not (i) section 5.1(2) Director/Officer Claims, or (ii) judged by the express terms of a judgment rendered on a final determination on the merits to have resulted from criminal, fraudulent or other wilful misconduct on the part of the Director or Officer, shall be fully, finally, irrevocably and forever compromised, released, discharged, cancelled and barred without consideration on the Implementation Date.

4.7 Extinguishment of Claims

On the Implementation Date, in accordance with its terms and in the sequence set forth in the Plan Supplement and in accordance with the provisions of the Sanction Order, the treatment of Affected Claims (including Proven Claims, Intercompany Claims, Disputed Claims) and all Released Claims, in each case as set forth herein, shall be final and binding on the Payless Canada Entities, all Affected Creditors (and their respective heirs, executors, administrators, legal personal representatives, successors and assigns) and any Person holding a Released Claim. All Affected Claims and all Released Claims shall be fully, finally, irrevocably and forever released, discharged, cancelled and barred, and the Released Parties shall thereupon have no further obligation whatsoever in respect of the Affected Claims and the Released Claims, as applicable; provided that nothing herein releases any of the Payless Canada Entities or any other Person from their obligations to make distributions in the manner and to the extent provided for in this Plan and provided further that such discharge and release of the Payless Canada Entities shall be without prejudice to the right of an Affected Creditor in respect of a Disputed General Unsecured Claim or Disputed Landlord Claim to prove such Disputed General Unsecured Claim or Disputed Landlord Claim in accordance with the Claims Procedure Order or the Meetings Order so that such Disputed General Unsecured Claim or Disputed Landlord Claim may become a Proven Claim entitled to receive consideration under this Plan.

ARTICLE 5 CREATION OF POOL AND RESERVES

5.1 Creation of the General Unsecured Pool

- (a) On the Implementation Date, the Payless Canada Entities shall deliver to the Monitor by way of wire transfer (in accordance with the wire transfer instructions provided by the Monitor at least five (5) Business Days prior to the Implementation Date), Cash in the amount necessary to establish the General Unsecured Pool.
- (b) The Monitor shall hold the General Unsecured Pool in the Affected Creditor Distribution Account and shall distribute such Cash in the General Unsecured

Pool to General Unsecured Creditors holding Proven General Unsecured Claims in accordance with Article 6 hereof.

5.2 Creation of the Landlord Pool

- (a) On the Implementation Date, the Payless Canada Entities shall deliver to the Monitor by way of wire transfer (in accordance with the wire transfer instructions provided by the Monitor at least five (5) Business Days prior to the Implementation Date), Cash in the amount necessary to establish the Landlord Pool.
- (b) The Monitor shall hold the Landlord Pool in the Affected Creditor Distribution Account and shall distribute such Cash in the Landlord Pool to Proven Landlord Creditors holding Proven Landlord Claims in accordance with Article 6 hereof.

5.3 Creation of the Administrative Reserve

- (a) On the Implementation Date, the Payless Canada Entities shall deliver to the Monitor by way of wire transfer (in accordance with the wire transfer instructions provided by the Monitor at least five (5) Business Days prior to the Implementation Date), Cash in the amount necessary to establish the Administrative Reserve.
- (b) In accordance with section 7.3 of this Plan, the Monitor shall hold the Administrative Reserve in the Administrative Reserve Account for the purpose of paying the Administrative Reserve Costs in accordance with this Plan and shall distribute any remaining balance in the Administrative Reserve Account to the Payless Canada Entities, which amounts will remain subject to the security interests of the Term Loan Agent.

5.4 Creation of the Priority Claim Reserve

- (a) On the Implementation Date, the Payless Canada Entities shall deliver to the Monitor by way of wire transfer (in accordance with the wire transfer instructions provided by the Monitor at least five (5) Business Days prior to the Implementation Date), Cash in the amount necessary to establish the Priority Claim Reserve.
- (b) In accordance with section 7.3 of this Plan, the Monitor shall hold the Priority Claim Reserve in the Priority Claim Reserve Account for the purpose of paying the Priority Claims in accordance with this Plan and shall distribute any remaining balance in the Priority Claim Reserve Account to the Payless Canada Entities, which amounts will remain subject to the security interests of the Term Loan Agent.

5.5 Creation of the Directors' Claim Reserve

- (a) On the Implementation Date, the Payless Canada Entities shall deliver to the Monitor by way of wire transfer (in accordance with the wire transfer instructions provided by the Monitor at least five (5) Business Days prior to the Implementation Date), Cash in the amount necessary to establish the Directors' Claim Reserve.

- (b) In accordance with section 7.3 of this Plan, the Monitor shall hold the Directors' Claim Reserve in the Directors' Claim Reserve Account for the purpose of paying the Director/Officer Claims in accordance with this Plan and shall distribute any remaining balance in the Directors' Claim Reserve Account to the Payless Canada Entities, which amounts will remain subject to the security interests of the Term Loan Agent.

5.6 Creation of the Post-Filing Claim Reserve

- (a) On the Implementation Date, the Payless Canada Entities shall deliver to the Monitor by way of wire transfer (in accordance with the wire transfer instructions provided by the Monitor at least five (5) Business Days prior to the Implementation Date), Cash in the amount necessary to establish the Post-Filing Claim Reserve.
- (b) In accordance with section 7.3 of this Plan, the Monitor shall hold the Post-Filing Claim Reserve in the Post-Filing Claim Reserve Account for the purpose of paying the Post-Filing Claims in accordance with this Plan and shall distribute any remaining balance in the Post-Filing Claim Reserve Account to the Payless Canada Entities, which amounts will remain subject to the security interests of the Term Loan Agent.

5.7 Excess Reserve Funds

- (a) To the extent that the Payless Canada Entities or the Monitor determine, with the consent of the other party, that there are funds in any Reserve sufficiently in excess of the amount required to fund payments that may be required to be made from such Reserve, the Payless Canada Entities with the consent of the Monitor and in consultation with the Supporting Term Loan Lenders, may transfer such excess funds to another Reserve. In the event of any dispute the parties may seek a further order of the Court.
- (b) To the extent that the Payless Canada Entities or the Monitor determine, with the consent of the other party, that there are insufficient funds in any Reserve to fund payments that may be required to be made from such Reserve, no excess amounts from any other Reserves will be distributed to the Payless Canada Entities without ensuring that sufficient funds are added to the applicable Reserve. In the event of any dispute the parties may seek a further order of the Court.
- (c) For the avoidance of doubt, no amounts held in any of the Reserves will be, or be deemed to be held in trust for any Claimant.

ARTICLE 6 PROVISIONS REGARDING DISTRIBUTIONS AND DISBURSEMENTS

6.1 Distributions and Disbursements Generally

- (a) All distributions and disbursements to be effected pursuant to this Plan shall be made pursuant to this Article 6 and shall occur in the manner set out below under the supervision of the Monitor.
- (b) Notwithstanding any other provisions of this Plan, no distributions or transfers of Cash shall be made by the Monitor with respect to all or any portion of a

Disputed Claim unless and only to the extent that such Disputed Claim has become a Proven Claim or a Proven Priority Claim, as applicable.

- (c) Notwithstanding anything to the contrary herein, all distributions or other payments to be made pursuant to this Plan to General Unsecured Creditors or Landlords are conditional on the receipt of documentation in form and content satisfactory to the Payless Canada Entities, the Monitor and the Supporting Term Loan Lenders (the “**Comfort Letter**”) from the applicable Governmental Entity authorizing the Monitor to make the distributions, disbursements, or payments without any liability to any of the Payless Canada Entities, the Monitor, or each of their respective Directors, Officers, employees or agents in respect of the ITA, *Excise Tax Act*, and any other legislation pertaining to Taxes. In the event the Comfort Letter is not received by [December 31], 2019, the Payless Canada Entities shall notify the Term Loan Agent and the Supporting Term Loan Lenders and may seek further directions from the Court on at least five (5) Business Days’ notice to the Service List.

6.2 Distributions of Cash After Disputed General Unsecured Claims and Disputed Landlord Claims are Resolved

From and after the date of the resolution of all Disputed General Unsecured Claims and all Disputed Landlord Claims in accordance with the Claims Procedure Order and the Meetings Order (the “**Affected Creditor Distribution Date**”), the Monitor shall, subject to section 6.1, distribute to such Affected Creditor, Cash in accordance with Article 4 herein, less any Withholding Obligations or statutory deductions required by Applicable Law. For the avoidance of doubt, the Monitor shall have no obligation to make distributions to Affected Creditors prior to the Affected Creditor Distribution Date.

6.3 Method of Payment

- (a) All distributions in Cash to Affected Creditors to be made by the Monitor under this Plan shall be made from the Affected Creditor Distribution Account by cheque sent by prepaid ordinary mail to the address for such Affected Creditor as recorded in the books and records of the Payless Canada Entities, as noted on the Notice of Dispute of Claim Statement or Proof of Claim filed by the Affected Creditors or as otherwise communicated to the Monitor not more than three (3) Business Days following the granting of the Sanction Order by such Affected Creditor, or an assignee in respect of such Affected Creditor’s Proven Claim.

6.4 Undeliverable Distributions

- (a) If any distribution is returned as undeliverable or is not cashed (in each case, an “**Undeliverable Distribution**”), no further distributions to such Affected Creditor shall be made unless and until the Monitor is notified by such Affected Creditor of its current address at which time all such distributions shall be made to such Affected Creditor without interest.
- (b) All claims for undeliverable or un-cashed distributions in respect of Proven Claims shall be made on or before the date that is six (6) months after the Affected Creditor Distribution Date, after which date the Proven Claims of such Affected Creditor or successor or assign of such Affected Creditor with respect to such unclaimed or un-cashed distributions shall be forever discharged and

forever barred, without any compensation therefor, notwithstanding any Applicable Law to the contrary, at which time any Cash held by the Monitor in relation to such undeliverable or unclaimed distribution shall be added to the Administrative Reserve. Nothing in this Plan or Sanction Order shall require the Monitor or the Payless Canada Entities to attempt to locate the holder of any Proven Claim or Unaffected Claim.

6.5 Tax Matters

- (a) Any terms and conditions of any Affected Claims which purport to deal with the order of or grant of priority of payment of principal, interest, penalties or other amounts shall be deemed to be void and ineffective. All distributions made pursuant to this Plan shall be first in satisfaction of the portion of Affected Claims that are not subject to any Withholding Obligation.
- (b) Notwithstanding any provisions of this Plan, each Person that receives a distribution, disbursement or other payment pursuant to this Plan shall have sole and exclusive responsibility and liability for the satisfaction and payment of any Tax obligations imposed on such Person by any Taxing Authority on account of such distribution, disbursement or payment.
- (c) Any payor shall be entitled to deduct and withhold and remit from any distribution, payment or consideration otherwise payable to any Person pursuant to this Plan such amounts as are required, or are reasonably expected to be required, (a **"Withholding Obligation"**) to be deducted and withheld with respect to such payment under the ITA, or any provision of federal, provincial, territorial, state, local or foreign tax law, in each case, as amended or succeeded. For greater certainty, no distribution, payment or other consideration shall be made to or on behalf of a Person until such Person has delivered to the Payless Canada Entities and the Monitor such documentation prescribed by Applicable Law or otherwise reasonably required by the Monitor as will enable the Monitor to determine whether or not, and to what extent, such distribution, payment or consideration to such Person is subject to any Withholding Obligation imposed by any Taxing Authority.
- (d) All distributions made pursuant to this Plan shall be made as a payment of principal of the relevant Claim before any interest is paid on such Claim.
- (e) To the extent that amounts are withheld or deducted and paid over to the applicable Taxing Authority, such withheld or deducted amounts shall be treated for all purposes of this Plan as having been paid to such Person as the remainder of the payment in respect of which such withholding and deduction were made.

ARTICLE 7 IMPLEMENTATION

7.1 Authorizations

The adoption, execution, delivery, implementation and consummation of all matters contemplated under this Plan involving corporate or partnership action of the Payless Canada Entities will occur and be effective as of the Implementation Date, and will be authorized and approved under this Plan and by the Court, where appropriate, as part of the Sanction Order, in all respects and for all purposes without any requirement of further action by shareholders, general partners, limited partners, directors or officers of any of the Payless Canada Entities. All necessary approvals to take actions shall be deemed to have been obtained from the Directors or the shareholders, general partners or limited partners of the Payless Canada Entities, as applicable, including the deemed passing by any class of shareholders, general partners or limited partners of any resolution or special resolution and no agreement between a shareholder, general partner or limited partner and another Person limiting in any way the right to vote shares or partnership interests held by such shareholder, general partner or limited partner with respect to any of the steps contemplated by this Plan shall be deemed to be effective and any such agreement shall have no force and effect.

7.2 Implementation Date Transactions

The Payless Canada Entities and the Monitor, as applicable, will take the steps set forth in the Plan Supplement (collectively, the “**Implementation Date Transactions**”), which shall be consummated and become effective in the order set out therein, and will take any additional actions as may be necessary to effect a restructuring of the Payless Canada Entities’ businesses or overall organizational structure to reflect and implement the provisions of this Plan in a tax efficient and orderly manner.

7.3 Post-Implementation Date Transactions

- (a) The Monitor, with the consent of the Payless Canada Entities and/or the Chief Restructuring Organization or upon further Court Order, on behalf of the Payless Canada Entities, shall pay (i) the Priority Claims pursuant to and in accordance with section 4.4 from the Priority Claim Reserve Account; (ii) any Administrative Reserve Costs from the Administrative Reserve Account; (iii) the Director/Officer Claims from the Directors’ Claim Reserve Account; (iv) any Post-Filing Claims from the Post-Filing Reserve Account; (v) distributions from the Landlord Pool in accordance with Article 6 hereof; and (vi) distributions from the General Unsecured Pool in accordance with Article 6 hereof, *provided, however*, that with respect to (iii) and (iv) above, such payments shall only be made after five (5) Business Days notice to the Term Loan Agent and the Supporting Term Loan Lenders and in the event of an objection in such period that cannot be resolved consensually, with an order of the Court.
- (b) The Monitor, with the consent of the Payless Canada Entities and/or the Chief Restructuring Organization and the Supporting Term Loan Lenders, or upon further Court Order on at least five (5) Business Days notice to the Service List, on behalf of the Payless Canada Entities, may transfer any unused portion of the Reserves to the Payless Canada Entities, which amounts will remain subject to the security interests of the Term Loan Agent.

- (c) Cassels shall continue to have primary carriage of, but shall work in consultation with the Monitor in respect of, the resolution of Claims including Claims to be paid from the Reserves and all negotiations with respect to the Comfort Letter after the Implementation Date.

ARTICLE 8 RELEASES

8.1 Plan Releases

At the Effective Time, for good and valuable consideration, including the distributions to be made pursuant to this Plan, every Creditor, Affected Creditor or other Person, on the Creditor's, Affected Creditor's or other Person's own behalf and on behalf of the Creditor's, Affected Creditor's or other Person's respective affiliates, present and former officers, directors, employees, associated individuals, auditors, beneficiaries, financial advisors, legal counsel, other professionals, sureties, insurers, indemnitors, agents, dependents, heirs, executors, administrators, representatives, successors and assigns, as applicable, hereby is deemed to and does fully, finally, irrevocably and unconditionally release and forever discharge each of the Payless Canada Entities, the Directors, the Officers and any alleged fiduciary (whether acting as a director, officer, or other responsible party), Cassels, Akin, S&K, FTI, the Monitor, the Chief Restructuring Organization, the Term Loan Agent, and each of the Term Loan Lenders (including each of the Supporting Term Loan Lenders) together with each of their respective current and former legal counsel, financial advisors, representatives, directors, officers, predecessors, affiliates, member companies, related companies, partners, shareholders, administrators, executors, employees, professional advisors (collectively, the "**Released Parties**" and individually, a "**Released Party**"), of and from any and all Claims, and, without limitation, any and all past, present and future claims, causes of action, debts, rights, interests, actions, rights of indemnity, liabilities, demands, duties, injuries, accounts, covenants, damages, expenses, fees (including solicitors' fees or liens), costs, compensation, or causes of action of whatsoever kind or nature whether foreseen or unforeseen, known or unknown, matured or unmatured, direct, indirect or derivative, asserted or unasserted, contingent or actual, liquidated or unliquidated, whether in tort or contract, whether statutory, at common law or in equity, based on, in connection with, arising out of, or in any way related to, in whole or in part, directly or indirectly, any act, inaction or omission, transaction, distribution, payment, dealing or other occurrence relating to or otherwise in connection with (a) the business and operations of the Payless Canada Entities existing or taking place on or prior to the Effective Time, (b) the property and assets of the Payless Canada Entities existing or taking place on or prior to the Effective Time, (c) the Affected Claims, this Plan, the U.S. Proceedings or the CCAA Proceedings; (d) any contract that has been restructured, terminated, repudiated, disclaimed or resiliated in accordance with the CCAA, (e) the Implementation Date Transactions in respect of which the Released Parties had any role, whether in their capacity as Officers, Directors or in any other capacity, (f) liabilities of the Directors and Officers and any alleged fiduciary or other duty, including any and all Claims that may be made against the Directors or Officers where by law such Directors or Officers may be liable in their capacity as Directors or Officers, or (g) any Claim that has been barred or extinguished by the Claims Procedure Order (all collectively, the "**Released Claims**"); and at the Effective Time the Payless Canada Entities are deemed to and do fully, finally, irrevocably and unconditionally release and forever discharge every other Released Party of and from any and all Released Claims.

Notwithstanding the foregoing, nothing in this section 8.1 shall release or discharge:

- (a) the Payless Canada Entities and their respective assets, undertakings and properties from any Unaffected Claim that has not been paid in full under this Plan or the Plan Supplement to the extent of such non-payment;
- (b) a Released Party from its obligations under this Plan or the Plan Supplement;
- (c) a Released Party found by a court of competent jurisdiction by final determination on the merits to have committed fraud or wilful misconduct in relation to a Released Claim for which it is responsible at law; or
- (d) the Directors from any Claims which have been preserved in accordance with the Claims Procedure Order that cannot be compromised due to the provisions of section 5.1(2) of the CCAA.

8.2 Injunction

Subject to the exceptions stated in sub-paragraphs (a) through (d) of section 8.1 of this Plan, all Persons, along with their respective affiliates, present and former officers, directors, employees, associated individuals, auditors, beneficiaries, financial advisors, legal counsel, other professionals, sureties, insurers, indemnitors, agents, dependents, heirs, executors, administrators, representatives, successors and assigns, as applicable, are permanently and forever barred, estopped, stayed and enjoined, on and after the Effective Time, with respect to the Affected Claims and the Released Claims, from:

- (a) commencing, conducting or continuing in any manner, directly or indirectly, any action, suit, demand or other proceeding of any nature or kind whatsoever (including any proceeding in a judicial, arbitral, administrative, regulatory or other forum) against any of the Released Parties or their property;
- (b) enforcing, levying, attaching, collecting or otherwise recovering or enforcing by any manner or means, directly or indirectly, any judgment, award, decree or order against any of the Released Parties or their property;
- (c) commencing, conducting or continuing in any manner, directly or indirectly, any action, suit or demand (including by way of contribution or indemnity or other relief, in common law, or in equity, breach of trust or breach of fiduciary duty or under the provisions of any statute or regulation) or other proceeding of any nature or kind whatsoever (including any proceeding in a judicial, arbitral, administrative, regulatory or other forum) against any Person who makes such a claim or might reasonably be expected to make such a claim in any manner or forum, against one or more of the Released Parties;
- (d) creating, perfecting, asserting or otherwise enforcing, directly or indirectly, any lien or encumbrance of any kind; or
- (e) taking any action to interfere with the implementation or consummation of this Plan (including the Implementation Date Transactions);

and any such proceedings will be deemed to have no further effect against the Payless Canada Entities or any of their assets and will be released, discharged or vacated without cost to the Payless Canada Entities. All Persons shall cooperate with the Payless Canada Entities and the Monitor in lifting any lien or discontinuing any

proceeding filed or commenced prior to the Effective Time, as the Payless Canada Entities or the Monitor may reasonably request. The Payless Canada Entities may apply to the Court to obtain a discharge or dismissal of any such proceedings if necessary without notice to any Person.

8.3 Timing of Releases and Injunctions

All releases and injunctions set forth in this Article 8 shall become effective on the Implementation Date.

8.4 Knowledge of Claims

Each Person to which section 8.1 hereof applies shall be deemed to have granted the releases set forth in section 8.1 notwithstanding that it may hereafter discover facts in addition to, or different from, those which it now knows or believes to be true, and without regard to the subsequent discovery or existence of such different or additional facts, and such party expressly waives any and all rights that it may have under any Applicable Law which would limit the effect of such releases to those Claims or causes of action known or suspected to exist at the time of the granting of the release.

ARTICLE 9 COURT SANCTION, CONDITIONS PRECEDENT AND IMPLEMENTATION

9.1 Application for Sanction Order

If this Plan is approved by the Required Majorities, the Payless Canada Entities shall apply for the Sanction Order on the date set out in the Meetings Order or such later date as the Court may set and, shall provide the Supporting Term Loan Lenders with drafts of the court materials at least three (3) Business Days prior to the date the Payless Canada Entities serve the materials upon the service list (or as soon as possible where it is not reasonably practicable to provide drafts three (3) Business Days in advance).

9.2 Sanction Order

The Sanction Order shall be substantially in the form attached (without this Plan included as a schedule) as Schedule "B" hereto, with such amendments as the Payless Canada Entities, the Supporting Term Loan Lenders, and the Monitor may agree.

9.3 Conditions to the Implementation Date

The implementation of this Plan shall be conditional upon the fulfillment, satisfaction or waiver (to the extent permitted by section 9.4 hereof) of the following conditions:

- (a) this Plan shall have been approved by the Required Majorities;
- (b) the Court shall have granted the Sanction Order the operation and effect of which shall not have been stayed, reversed or amended and in the event of an appeal or application for leave to appeal, final determination shall have been made by the appellate court;
- (c) the Payless Canada Entities shall have funded:
 - (i) the Administrative Reserve;
 - (ii) the Priority Claim Reserve;

- (iii) the Directors' Claim Reserve;
 - (iv) the Post-Filing Claim Reserve;
 - (v) the General Unsecured Pool, to be held in the Affected Creditor Distribution Account; and
 - (vi) the Landlord Pool, to be held in the Affected Creditor Distribution Account;
- (d) the U.S. Proceedings with respect to the Payless Canada Entities shall have been dismissed;
 - (e) the U.S. Plan shall have become effective;
 - (f) the Monitor shall have received written confirmation from Supporting Term Loan Lenders that the Supporting Term Loan Lenders are satisfied with (i) the treatment of the Post-Filing Intercompany Loans, (ii) the form and substance of the Plan Supplement, and (iii) all variations and modifications of, and amendments and supplements to the Plan, the Plan Supplement and the Sanction Order, to and including the Implementation Date;
 - (g) the Implementation Date shall have occurred no later than the Outside Date.

9.4 Waiver of Conditions

The Payless Canada Entities, with the consent of the Monitor and in consultation with the Supporting Term Loan Lenders, may at any time and from time to time waive the fulfillment or satisfaction, in whole or in part, of the conditions set out herein, to the extent and on such terms as such parties may agree. Notwithstanding anything to the contrary in this Plan or in any order of the Court, the Payless Canada Entities may not waive satisfaction of the conditions set out in subsection 9.3(f) hereof, which condition is for the exclusive benefit of, and may only be waived by, the Supporting Term Loan Lenders. Notwithstanding anything to the contrary in this Plan or in any order of the Court, the Payless Canada Entities may not waive satisfaction of the conditions set out in subsection 9.3(e) without the consent of the Supporting Term Loan Lenders.

9.5 Implementation Provisions

If the conditions contained in section 9.3 are not satisfied or waived (to the extent permitted under section 9.4) by the Outside Date, unless the Payless Canada Entities, in consultation with the Monitor and in consultation with the Supporting Term Loan Lenders, agree in writing to extend such period, this Plan and the Sanction Order shall cease to have any further force or effect and will not be binding on any Person.

9.6 Monitor's Certificate of Plan Implementation

Upon written notice from the Payless Canada Entities (or counsel on their behalf) to the Monitor, the Term Loan Agent and the Supporting Term Loan Lenders that the conditions to Plan implementation set out in section 9.3, have been satisfied or waived, the Monitor shall, as soon as possible following receipt of such written notice, deliver to the Payless Canada Entities, the Term Loan Agent and the Supporting Term Loan Lenders, and file with the Court, a certificate (the "**Monitor's Certificate**") which states

that all conditions precedent set out in section 9.3 have been satisfied or waived and that the Implementation Date (which shall be set out on the certificate) has occurred.

ARTICLE 10 GENERAL

10.1 Deeming Provisions

In this Plan, the deeming provisions are not rebuttable and are conclusive and irrevocable.

10.2 Preferential Transactions

Sections 95 to 101 of the BIA and any applicable law relating to preferences, settlements, fraudulent conveyances or transfers at undervalue shall not apply in any respect, including, without limitation, to any dealings prior to the Filing Date, to this Plan, to any payments or distributions made in connection with the restructuring and recapitalization of the Payless Canada Entities, whether made before or after the Filing Date, or to any and all transactions contemplated by and to be implemented pursuant to this Plan.

10.3 Claims Bar Date

Nothing in this Plan extends or shall be interpreted as extending or amending the Claims Bar Date, or gives or shall be interpreted as giving any rights to any Person in respect of Claims that have been barred or extinguished pursuant to the Claims Procedure Order.

10.4 Non-Consummation

If the Implementation Date does not occur on or before the Outside Date (as the same may be extended in accordance with the terms hereof), or if this Plan is otherwise withdrawn in accordance with its terms: (a) this Plan shall be null and void in all respects, and (b) nothing contained in this Plan, and no acts taken in preparation for consummation of this Plan, shall (i) constitute or be deemed to constitute a waiver or release of any Claims by or against the Payless Canada Entities, their respective successors or any other Person; (ii) prejudice in any manner the rights of the Payless Canada Entities, their respective successors or any other Person in any further proceedings involving the Payless Canada Entities or their respective successors; or (iii) constitute an admission of any sort by the Payless Canada Entities, their respective successors or any other Person.

10.5 Modification of Plan

- (a) The Payless Canada Entities may propose a variation or modification of, or amendment or supplement to this Plan at or prior to the Creditors' Meetings, in consultation with the Monitor, provided that notice of such variation, modification, amendment or supplement is given to all Creditors entitled to vote and present in person at the applicable Creditors' Meetings prior to the vote being taken. Any variation, amendment, modification or supplement at a Creditors' Meetings shall be posted promptly on the Monitor's Website, served by email to the Service List and filed with the Court as soon as practicable following the applicable Creditors' Meetings and in any event prior to the Court hearing the Sanction Motion.

- (b) After the Creditors' Meetings (and both prior to and subsequent to the obtaining of any Sanction Order), the Payless Canada Entities may at any time and from time to time, amend, restate, vary, modify or supplement this Plan: (a) pursuant to an Order of the Court, or (b) without further Court Order, where such amendment to this Plan concerns a matter which, in the opinion of the Payless Canada Entities and the Monitor, is of an administrative nature required to better give effect to the implementation of this Plan or the Sanction Order or to cure any errors, omissions or ambiguities, and in either circumstance is not materially adverse to the financial or economic interests of the Affected Creditors. The Monitor shall forthwith post on the Monitor's Website any such amendment to this Plan, with notice of such posting forthwith provided to the Service List.

10.6 Severability of Plan Provisions

If, prior to the Effective Time, any term or provision of this Plan is held by the Court to be invalid, void or unenforceable, at the request of the Payless Canada Entities with the consent of the Supporting Term Loan Lenders, the Court shall have the power to either (a) sever such term or provision from the balance of this Plan and provide the Payless Canada Entities with the option to proceed with the implementation of the balance of this Plan as of and with effect from the Effective Time, or (b) alter and interpret such term or provision to make it valid or enforceable to the maximum extent practicable, consistent with the original purpose of the term or provision held to be invalid, void or unenforceable, and such term or provision shall then be applicable as altered or interpreted. Notwithstanding any such holding, alteration or interpretation, and provided that this Plan is implemented, the remainder of the terms and provisions of this Plan shall remain in full force and effect and shall in no way be affected, impaired or invalidated by such holding, alteration or interpretation.

10.7 Preservation of Rights of Action

Except as otherwise provided in this Plan or in the Sanction Order, or in any contract, instrument, release, indenture or other agreement entered into in connection with this Plan, following the Implementation Date, the Payless Canada Entities will retain and may enforce, sue on, settle, or compromise (or decline to do any of the foregoing) all claims, rights or causes of action, suits and proceedings, whether in law or in equity, whether known or unknown, that the Payless Canada Entities may hold against any Person or entity without further approval of the Court.

10.8 Responsibilities of Monitor

The Monitor is acting and will continue to act in all respects in its capacity as Monitor in the CCAA Proceedings with respect to the Payless Canada Entities and not in its personal or corporate capacity, and shall have no liability in connection with the implementation of this Plan, including without limitation with respect to making distributions pursuant to and in accordance with this Plan, the establishment and administration of the General Unsecured Pool, the Landlord Pool, the Affected Creditor Distribution Account, the Administrative Reserve, the Priority Claim Reserve, the Directors' Claim Reserve and the Post-Filing Claim Reserve, (and in each case, any adjustments with respect to same) or the timing or sequence of this Plan's transaction steps, in each case save and except for gross negligence and wilful misconduct. FTI will incur no personal liability whatsoever whether on its own part or in respect of any failure on the part of the Payless Canada Entities to observe, perform or comply with any of its

obligations under this Plan. The Monitor shall not be responsible or liable whatsoever for any obligations of the Payless Canada Entities. The Monitor shall at all times have the powers and protections granted to it by this Plan, the CCAA, the Initial Order, the Meetings Order, and any other Order made in the CCAA Proceedings.

10.9 Different Capacities

Persons who are affected by this Plan may be affected in more than one capacity. Unless expressly provided herein to the contrary, a Person will be entitled to participate hereunder in each such capacity. Any action taken by a Person in one capacity will not affect such Person in any other capacity, unless expressly agreed by a Person in writing or unless its Claims overlap or are otherwise duplicative.

10.10 Notices

Any notice or other communication to be delivered hereunder must be in writing and refer to this Plan and may, as hereinafter provided, be made or given by personal delivery, ordinary mail, email or by facsimile addressed to each of the respective parties as follows:

- (a) The Payless Canada Entities:

c/o Ankura Consulting Group, LLC
485 Lexington Avenue, 10th Floor
New York, NY United States 10017

Attention: Adrian Frankum
Email: adrian.frankum@ankura.com

with a required copy (which shall not be deemed notice) to:

Cassels Brock & Blackwell LLP
40 King Street West
2100 Scotia Plaza
Toronto, Ontario M5H 3C2

Attention: Ryan Jacobs and Jane O. Dietrich
Email: rjacobs@casselsbrock.com
jdietrich@casselsbrock.com

- (b) The Monitor:

FTI Consulting Canada Inc.
79 Wellington Street West
Toronto Dominion Centre, Suite 2010, P.O. Box 104
Toronto, ON M5K 1G8

Attention: Greg Watson, Paul Bishop and Jim Robinson
Email: paylesscanada@fticonsulting.com

And to:

Bennett Jones LLP
100 King Street West, Suite 3400
Toronto, ON M5X 1A4

Attention: Sean Zweig and Michael S. Shakra
Email: zweigs@bennettjones.com
shakram@bennettjones.com

(c) The Supporting Term Loan Lenders:

c/o Fasken Martineau DuMoulin LLP
333 Bay Street, Suite 2400
P.O. Box 20
Toronto, Ontario M5H 2T6
Attention: Stuart Brotman and Dylan Chochla
Email: sbrotman@fasken.com
dchochla@fasken.com

(d) The Term Loan Agent

c/o McCarthy Tetrault LLP
Suite 5300
TD Bank Tower
Box 48, 66 Wellington Street West
Toronto, Ontario M5K 1E6
Attention: Trevor Courtis
Emails: tcourtis@mccarthy.ca

or to such other address as any party may from time to time notify the others in accordance with this section. Any such communication so given or made shall be deemed to have been given or made and to have been received on the day of delivery if delivered, or on the day of faxing or emailing, provided that such day in either event is a Business Day and the communication is so delivered, faxed or emailed before 5:00 p.m. (Toronto time) on such day. Otherwise, such communication shall be deemed to have been given and made and to have been received on the next following Business Day.

10.11 Reliance on Consent

For the purposes of this Plan, where a matter (i) shall have been agreed, waived, consented to or approved by the Supporting Term Loan Lenders, (ii) requires consultation with or notice to the Supporting Term Loan Lenders, or (iii) must be satisfactory or acceptable to the Supporting Term Loan Lenders, any Person shall be entitled to rely on written confirmation from Fasken, as counsel to the Supporting Term Loan Lenders, that the Supporting Term Loan Lenders have agreed, waived, consented to or approved a particular matter or, as applicable, may consult with or provide notice to Fasken to satisfy such requirement.

10.12 Paramourncy

- (a) From and after the Effective Time, any conflict between (i) this Plan and (ii) the covenants, warranties, representations, terms, conditions, provisions or obligations, expressed or implied, of any contract, mortgage, security agreement, indenture, trust indenture, note, loan agreement, commitment letter, agreement for sale, lease or other agreement, written or oral and any and all amendments or supplements thereto existing between any Person and the Payless Canada Entities as at the Implementation Date, will be deemed to be governed by the terms, conditions and provisions of this Plan and the Sanction Order, which shall take precedence and priority.
- (b) From and after the granting of the Sanction Order, any conflict between (i) this Plan and (ii) the Sanction Order, will be deemed to be governed by the terms, conditions and provisions of the Sanction Order, which shall take precedence and priority.

10.13 Further Assurances

Notwithstanding that the transactions and events set out herein will occur and be deemed to occur in the order set out in this Plan without any further act or formality, each of the Persons named or referred to in, or subject to, this Plan will make, do and execute, or cause to be made, done and executed, all such further acts, deeds, agreements, transfers, assurances, instruments or documents as may reasonably be required by any of them to carry out the full intent and meaning of this Plan and to give effect to the transactions contemplated herein.

Dated this 17th day of September, 2019.

SCHEDULE "A"

Definitions

"Administration Charge" has the meaning given to that term in the Initial Order;

"Administrative Reserve" means a Cash reserve in the amount set forth in the Plan Supplement, to be deposited by the Payless Canada Entities into the Administrative Reserve Account for the purpose of paying the Administrative Reserve Costs, which amounts will be subject to the Administration Charge, from and after the Implementation Date;

"Administrative Reserve Account" means a segregated interest-bearing trust account established by the Monitor to hold the Administrative Reserve;

"Administrative Reserve Costs" means costs incurred and payments to be made on or after the Implementation Date (including costs incurred prior to the Implementation Date which remain outstanding as of the Implementation Date) in respect of: (a) the Payless Canada Entities' legal fees and disbursements; (b) the Monitor's fees and disbursements (including of its legal counsel and other consultants and advisors) (in the case of (a) and (b), subject to the provisions of the Initial Order); and (c) with the consent of the Monitor and in consultation with the Supporting Term Loan Lenders, any other amounts the Payless Canada Entities may determine in respect of any other determinable contingency in connection with the Payless Canada Entities, the CCAA Proceedings or this Plan;

"Affected Claims" means all Claims against any of the Payless Canada Entities that are not Unaffected Claims;

"Affected Creditor" means the holder of an Affected Claim in respect of and to the extent of such Affected Claim;

"Affected Creditor Distribution" means Cash in the amount of \$1,183,500;

"Affected Creditor Distribution Date" has the meaning given to that term in section 6.2 hereof;

"Affected Creditor Distribution Account" means a segregated interest-bearing trust account established by the Monitor to be funded by the Payless Canada Entities in the amount of the Affected Creditor Distribution for the purpose of funding the Affected Creditor Distribution;

"Akin" means Akin Gump Strauss Hauer & Feld LLP, counsel to the U.S. Debtors and the Payless Canada Entities in the U.S. Proceedings;

"Applicable Law" means, with respect to any Person, property, transaction, event or other matter, any Law relating or applicable to such Person, property, transaction, event or other matter, including, where appropriate, any interpretation of the Law (or any part thereof) by any Person, court or tribunal having jurisdiction over it, or charged with its administration or interpretation;

"Applicants" has the meaning ascribed to that term in the Recitals;

"BIA" means the *Bankruptcy and Insolvency Act*, R.S.C. 1985, c.B-3;

"Business Day" means any day, other than a Saturday, or a Sunday or a statutory or civic holiday, on which banks are generally open for business in Toronto, Ontario;

"Cash" means cash, certificates of deposit, bank deposits, and other cash equivalents;

“**Cassels**” means Cassels Brock & Blackwell LLP, counsel to the Payless Canada Entities and the Chief Restructuring Organization;

“**CCAA**” has the meaning ascribed to that term in the Recitals;

“**CCAA Proceedings**” means the proceedings commenced by the Applicants under the CCAA as contemplated by the Initial Order;

“**Charges**” has the meaning ascribed to that term in the Initial Order;

“**Chief Restructuring Organization**” means Ankura Consulting Group, LLC in its capacity as Chief Restructuring Organization of the Payless Canada Entities;

“**Claim**” has the meaning ascribed to that term in the Claims Procedure Order;

“**Claimant**” has the meaning ascribed to that term in the Claims Procedure Order;

“**Claims Bar Date**” has the meaning ascribed to that term in the Claims Procedure Order;

“**Claims Procedure Order**” means the Order made in these proceedings on April 24, 2019 entitled “Claims Procedure Order”;

“**Claim Statement**” has the meaning ascribed to that term in the Claims Procedure Order, and includes any amended Claim Statement;

“**Comfort Letter**” has the meaning ascribed thereto in Article 6 hereof;

“**Court**” has the meaning ascribed to that term in the Recitals;

“**Creditor**” means any Person having a Claim and includes without limitation the transferee or assignee of a Claim transferred and recognized as a Creditor in accordance with the Claims Procedure Order or a trustee, executor, liquidator, receiver, receiver and manager, or other Person acting on behalf of or through such Person;

“**Creditors’ Meetings**” means the meetings of the General Unsecured Creditors and of the Landlords called for the purpose of considering and voting in respect of this Plan as described in the Meetings Order;

“**Crown**” means Her Majesty in right of Canada or a province of Canada;

“**Crown Priority Claim**” means any Claim of the Crown, for all amounts that were outstanding at the Filing Date and are of a kind that could be subject to a demand under:

- (a) subsection 224(1.2) of the ITA;
- (b) any provision of the Canada Pension Plan or of the *Employment Insurance Act* that refers to subsection 224(1.2) of the ITA and provides for the collection of a contribution, as defined in the Canada Pension Plan, an employee’s premium, or employer’s premium, as defined in the *Employment Insurance Act*, or a premium under Part VII.1 of the *Employment Insurance Act* and of any related interest, penalties or other amounts;
- (c) any provision of provincial legislation that has a similar purpose to subsection 224(1.2) of the ITA, or that refers to that subsection, to the extent that it provides for the collection of a sum, and of any related interest, penalties or other amounts, where the sum:

- (i) has been withheld or deducted by a person from a payment to another person and is in respect of a tax similar in nature to the income tax imposed on individuals under the ITA; or
- (ii) is of the same nature as a contribution under the Canada Pension Plan if the province is a “province providing a comprehensive pension plan” as defined in subsection 3(1) of the Canada Pension Plan and the provincial legislation establishes a “provincial pension plan” as defined in that subsection;

“**Director**” means anyone who is or was, or may be deemed to be or have been, whether by statute, operation of law or otherwise, a director or de facto director of any of the Payless Canada Entities;

“**Directors’ Charge**” has the meaning ascribed to it in the Initial Order;

“**Directors’ Claim Reserve**” means a Cash reserve, equal to the amount of the Directors’ Charge or such lesser amount as may be agreed to by the Payless Canada Entities, the beneficiaries of the Directors’ Charge, the Monitor and the Supporting Term Loan Lenders, to be deposited by the Payless Canada Entities into the Directors’ Claim Reserve Account for the purposes of paying any finally determined valid claims secured by the Directors’ Charge;

“**Directors’ Claim Reserve Account**” means a segregated interest-bearing trust account established by the Monitor to hold the Directors’ Claim Reserve;

“**Disputed Claim**” any Claim that has not been finally determined in accordance with the Claims Procedure Order, the Meetings Order, this Plan or the CCAA;

“**Disputed General Unsecured Claim**” means a General Unsecured Claim which has not been allowed, in whole or in part, as a Proven General Unsecured Claim, which is validly disputed for distribution purposes in accordance with the Claims Procedure Order or the Meetings Order and which remains subject to adjudication for distribution purposes in accordance with the Claims Procedure Order, the Meetings Order or this Plan;

“**Disputed Landlord Claim**” means a Landlord claim which has not been allowed, in whole or in part, as a Proven Landlord Claim, which is validly disputed for distribution purposes in accordance with the Claims Procedure Order and which remains subject to adjudication for distribution purposes in accordance with the Claims Procedure Order, the Meetings Order or this Plan;

“**Disputed Voting Claim**” means a disputed Landlord Claim or a Disputed General Unsecured Claim;

“**Effective Time**” means 12:01 a.m. on the Implementation Date (or such other time as the Payless Canada Entities, the Monitor and the Supporting Term Loan Lenders may agree);

“**Eligible Voting Creditors**” means General Unsecured Creditors and Landlords, holding Voting Claims or Disputed Voting Claims;

“**Employee Priority Claims**” means, with respect to Creditors who are or were employees of any of the Payless Canada Entities, the following claims:

- (a) Claims of the Payless Canada Entities’ employees and former employees equal to the amounts that such employees and former employees would have been

qualified to receive under paragraph 136(l)(d) of the *Bankruptcy and Insolvency Act* (Canada) if the Payless Canada Entities had become bankrupt on the Filing Date; and

- (b) Claims of the Payless Canada Entities' employees and former employees for wages, salaries, commissions or compensation for services rendered by them after the Filing Date and on or before the date of the Sanction Order, together with, in the case of travelling salespersons, disbursements properly incurred by them in and about the Payless Canada Entities' business during the same period.

"Equity Claim" has the meaning set forth in section 2(1) of the CCAA;

"Excise Tax Act" means the *Excise Tax Act*, R.S.C. 1985, c.E-15, as amended and any regulations thereunder;

"Fasken" Fasken Martineau DuMoulin LLP, counsel to the Supporting Term Loan Lenders;

"Filing Date" means February 19, 2019;

"FTI" means FTI Consulting Canada Inc. and its affiliates;

"General Unsecured Claim" means any Affected Claim other than a Landlord Claim or an Intercompany Claim;

"General Unsecured Creditor" means the holder of a General Unsecured Claim in respect of and to the extent of such General Unsecured Claim;

"General Unsecured Pool" means Cash in the amount of the Affected Creditor Distribution minus the amount required to fund the Landlord Pool;

"General Unsecured Pro Rata Share" means the proportionate share of a Proven General Unsecured Claim to the total of all Proven General Unsecured Claims after final determination of all Disputed General Unsecured Claims in accordance with the Claims Procedure Order, the Meetings Order and this Plan;

"General Unsecured Required Majority" means a majority in number of General Unsecured Creditors representing at least two thirds in value of the Voting Claims of General Unsecured Creditors who actually vote (in person or by proxy) at the Creditors' Meeting;

"Governmental Entity" means any government, regulatory authority, governmental department, agency, commission, bureau, official, minister, Crown corporation, court, board, tribunal or dispute settlement panel or other law, rule or regulation-making organization or entity: (a) having or purporting to have jurisdiction on behalf of any nation, province, territory or state or any other geographic or political subdivision of any of them; or (b) exercising, or entitled or purporting to exercise any administrative, executive, judicial, legislative, policy, regulatory or taxing authority or power;

"Implementation Date" means the Business Day on which this Plan becomes effective, which shall be the day indicated on the certificate which the Monitor has filed with the Court contemplated in section 9.6 hereof;

"Implementation Date Transactions" has the meaning ascribed to that term in section 7.2;

"Initial Order" has the meaning ascribed to that term in the Recitals;

“Intercompany Claim” means any Claim held by a Payless Canada Entity against another Payless Canada Entity or an affiliate of a Payless Canada Entity (including, for the avoidance of doubt, a U.S. Debtor) or any Claim held by an affiliate of a Payless Canada Entity (including, for the avoidance of doubt, a U.S. Debtor) against a Payless Canada Entity, provided however, that the Post-Filing Intercompany Loans shall not be an Intercompany Claim;

“ITA” means the *Income Tax Act*, R.S.C. 1985, c.1 (5th Supp.), as amended and any regulations thereunder;

“Landlord” means any Person(s) in its/their capacity as lessor was a party under a Lease;

“Landlord Claim” means a Claim of a Landlord;

“Landlord Claim Statement” has the meaning ascribed to that term in the Claims Procedure Order;

“Landlord Pool” means Cash in the amount required to pay the distributions provided for in section 4.2, provided, however, that for the purposes of funding the Landlord Pool, if the Payless Canada Entities have disputed any Landlord Claim, \$3,840.00 shall be reserved for such claim, and for greater clarity, if any portion of the Landlord Pool is not required to pay Proven Landlord Claims, such amounts shall be included in the General Unsecured Pool;

“Landlord Required Majority” means a majority in number of Landlord representing at least two thirds in value of the Voting Claims of Landlords who actually vote (in person or by proxy) at the Creditors’ Meeting;

“Law” means any law, statute, order, decree, consent decree, judgment, rule regulation, ordinance or other pronouncement having the effect of law whether in Canada or any other country, or any domestic or foreign state, county, province, city or other political subdivision or of any Governmental Entity;

“Lease” a real property lease under which any one of the Payless Canada Entities was a lessee;

“Meetings Order” means the Order of the Court dated September 17, 2019 in connection with the CCAA Proceedings, which Meetings Order shall be acceptable to the Supporting Term Loan Lenders;

“Monitor” means FTI, in its capacity as court-appointed Monitor of the Payless Canada Entities;

“Monitor’s Certificate” has the meaning ascribed to that term in section 9.6 hereof;

“Monitor’s Website” means <http://cfcanada.fticonsulting.com/paylesscanada/>;

“Notice of Dispute of Claim Statement” has the meaning ascribed to that term in the Claims Procedure Order;

“Officer” means anyone who is or was, or may be deemed to be or have been, whether by statute, operation of law or otherwise, an officer or *de facto* officer of any of the Payless Canada Entities;

“Order” means any order of the Court in the CCAA Proceedings;

“Outside Date” means December 31, 2019 (or such other date as the Payless Canada Entities, the Monitor and the Supporting Term Loan Lenders may agree);

“Payless Canada Entities” has the meaning ascribed to that term in the Recitals;

“Person” is to be broadly interpreted and includes any individual, firm, corporation, limited or unlimited liability company, general or limited partnership, association, trust, unincorporated organization, joint venture, Governmental Entity or any agency, officer or instrumentality thereof or any other entity, wherever situate or domiciled, and whether or not having legal status;

“Plan” means this Plan of Compromise and Arrangement, including the Plan Supplement and any amendments, restatements, modifications or supplements hereto made from time to time in accordance with the terms hereof or made at the direction of the Court in the Sanction Order or otherwise;

“Plan Supplement” means the Plan Supplement to be filed with the Court, as defined and described in the Meetings Order, and for which greater certainty shall include, among other things, the quantum and mechanics for distributions in respect of the Term Loan Claims outside of the Plan;

“Post-Filing Claim” means any claims against any of the Payless Canada Entities that arose from the provision of authorized goods and services provided or otherwise incurred on or after the Filing Date, but shall not include a Restructuring Period Claim;

“Post-Filing Intercompany Loans” means the post-petition loans from Payless ShoeSource Canada LP to Payless Finance, Inc., which loans are reflected on the books and records of the U.S. Debtors and the Payless Canada Entities and bear interest at a rate of 6%;

“Post-Filing Claim Reserve” means a Cash reserve, in the amount of set forth in the Plan Supplement, to be deposited by the Payless Canada Entities into the Post-Filing Claim Reserve Account for the purpose of paying the Post-Filing Claims;

“Post-Filing Claim Reserve Account” means a segregated interest-bearing trust account established by the Monitor to hold the Post-Filing Claim Reserve;

“Priority Claim” means a Crown Priority Claim or an Employee Priority Claim;

“Priority Claim Reserve” means a Cash reserve, equal to the amount of the Priority Claims, to be deposited by the Payless Canada Entities into the Priority Claim Reserve Account for the purpose of paying the Priority Claims, which Priority Claim Reserve shall not exceed the amount set forth in the Plan Supplement;

“Priority Claim Reserve Account” means a segregated interest-bearing trust account established by the Monitor to hold the Priority Claim Reserve;

“Proof of Claim” has the meaning ascribed to that term in the Claims Procedure Order;

“Proven Claim” means a Proven General Unsecured Claim or a Proven Landlord Claim, as applicable;

“Proven General Unsecured Claim” means the amount of the General Unsecured Claim of a General Unsecured Creditor as finally accepted and determined for distribution purposes in accordance with the Claims Procedure Order, the Meetings Order, this Plan and the CCAA;

“Proven Landlord Claim” means the amount of the Landlord Claim in respect of Lease as finally accepted and determined for distribution purposes in accordance with the Claims Procedure Order, the Meetings Order, this Plan and the CCAA;

“Proven Landlord Creditor” means a holder of a Proven Landlord Claim;

“Proven Priority Claim” means a Priority Claim as finally accepted and determined for distribution purposes in accordance with the Claims Procedure Order, the Meetings Order, this Plan and the CCAA

“Released Claims” means the matters that are subject to release and discharge pursuant to section 8.1 hereof;

“Released Parties” has the meaning ascribed to that term in section 8.1 hereof;

“Released Party” means each of the Released Parties;

“Required Majorities” means the Landlord Required Majority and the General Unsecured Required Majority;

“Reserves” means the Administrative Reserve, the Directors’ Claim Reserve, the Priority Claim Reserve and the Post-Filing Claim Reserve;

“Restructuring Period Claim” shall have the meaning set forth in the Claims Procedure Order;

“S&K” means Seward & Kissell LLP, counsel to the U.S. Debtors, acting at the direction of the special committee, in the U.S. Proceedings;

“Sanction Motion” means the Payless Canada Entities’ motion for an order sanctioning this Plan;

“Sanction Order” means an order acceptable in form and substance to the Payless Canada Entities, the Monitor and the Supporting Term Loan Lenders, and which shall be substantially in the form attached as Schedule “B” hereto;

“Section 5.1(2) Director/Officer Claims” means any Director/Officer Claims that may not be compromised pursuant to section 5.1(2) of the CCAA;

“Service List” means the service list maintained by the Monitor in respect of these CCAA Proceedings;

“Supporting Term Loan Lenders” means a majority of the Term Loan Lenders represented by Fasken;

“Tax” or **“Taxes”** means any and all taxes, duties, fees, premiums, assessments, imposts, levies and other charges of any kind whatsoever, including all interest, penalties, fines, additions to tax or other additional amounts in respect thereof, and including those levied on, or measured by, or referred to as, income, gross receipts, profits, capital, transfer, land transfer, sales, goods and services, harmonized sales, use, value-added, excise, stamp, withholding, business, franchising, property, development, occupancy, employer health, payroll, employment, health, social services, education and social security taxes, all surtaxes, all customs duties and import and export taxes, countervail and anti-dumping, all licence, franchise and registration fees and all employment insurance, health insurance and Canada, Quebec and other government pension plan premiums or contributions;

“Taxing Authority” means any of Her Majesty the Queen in right of Canada, Her Majesty the Queen in right of any province or territory of Canada, any municipality of Canada, the Canada Revenue Agency, the Canada Border Services Agency, any similar revenue or taxing authority of Canada and each and every province or territory of Canada and any political subdivision

thereof and any Canadian or foreign government, regulatory authority, government department, agency, commission, bureau, minister, court, tribunal or body or regulation making entity exercising taxing authority or power;

“Term Loan Agent” means Cortland Products Corp.;

“Term Loan Claims” means all Claims of the Term Loan Lenders under or in respect of the Term Loan Credit Facility against the Payless Canada Entities in an aggregate amount of USD\$277.2 million as of the Filing Date, or any of them, or in respect of which the Term Loan Agent holds a security interest in any assets, undertakings or properties of any Payless Canada Entity;

“Term Loan Credit Facility” means that certain Term Loan and Guarantee Agreement, dated as of August 10, 2017, by and among WBG – PSS Holdings LLC, Payless Inc., Payless Finance, Inc., Payless ShoeSource, Inc. and Payless ShoeSource Distribution, Inc., collectively, as borrowers, the guarantors party thereto, the Term Loan Lenders, and the Term Loan Agent, as administrative agent and collateral agent, as amended by amendment no. 1 dated October 26, 2017, as further amended by amendment no. 2 dated December 29, 2017 and amendment no. 3 dated June 19, 2018, and as the same may be amended from time to time;

“Term Loan Lenders” means the lenders from time to time party to the Term Loan Credit Facility;

“U.S. Debtors” means Payless Holdings LLC and its affiliated debtors and debtors in possession who have proposed the U.S. Plan in the U.S. Proceedings;

“U.S. Plan” means the joint plan of reorganization proposed by the U.S. Debtors;

“U.S. Proceedings” means the proceedings under chapter 11 of the United States Bankruptcy Code that are jointly administered under case no. 19-40883 in the United States Bankruptcy Court for the Eastern District of Missouri;

“Unaffected Claim” means

- (a) any Claims secured by any of the Charges;
- (b) any Claims that cannot be compromised pursuant to subsection 19(2) of the CCAA;
- (c) any Term Loan Claims;
- (d) any Priority Claims;
- (e) any Post-Filing Claims;
- (f) any Equity Claims, except to the extent set out in the Plan Supplement; and
- (g) any Claim entitled to the benefit of any applicable insurance policy, excluding any such Claim or portion thereof that is directly recoverable as against any of the Payless Canada Entities;

“Unaffected Creditor” means a Person who has an Unaffected Claim, but only in respect of and to the extent of such Unaffected Claim;

“Undeliverable Distribution” has the meaning given to that term in section 6.4;

“Voting Claim” means the amount of the General Unsecured Claim of a General Unsecured Creditors or the amount of a Landlord Claim of a Landlord against the Payless Canada Entities as finally accepted and determined for the purposes of voting at the Creditors’ Meeting, in accordance with the provisions of the Meetings Order and the CCAA; and

“Withholding Obligation” has the meaning set forth in section 6.5.

SCHEDULE "B"
FORM OF SANCTION ORDER

**ONTARIO
SUPERIOR COURT OF JUSTICE
(COMMERCIAL LIST)**

THE HONOURABLE ●
JUSTICE ●

)
)
)

TUESDAY, THE 29th
DAY OF OCTOBER, 2019

**IN THE MATTER OF THE *COMPANIES' CREDITORS ARRANGEMENT ACT*,
R.S.C. 1985, c. C-36, AS AMENDED**

**AND IN THE MATTER OF A PLAN OF COMPROMISE OR ARRANGEMENT OF PAYLESS
SHOESOURCE CANADA INC. AND PAYLESS SHOESOURCE CANADA GP INC.**

(the "**Applicants**")

**ORDER
(Plan Sanction)**

THIS MOTION made by Payless ShoeSource Canada Inc. and Payless ShoeSource Canada GP Inc. (the "**Applicants**", and with Payless ShoeSource Canada LP, the "**Payless Canada Entities**") for an Order (the "**Sanction Order**") pursuant to the *Companies' Creditors Arrangement Act*, R.S.C. 1985, c. C-36, as amended ("**CCAA**") *inter alia* (a) approving and sanctioning the Plan of Compromise and Arrangement of the Payless Canada Entities dated September 17, 2019 (the "**Plan**"), a copy of which (including the Plan Supplement) is attached hereto as **Schedule "A"**, and (b) approving the Sixth Report of FTI Consulting Canada Inc. in its capacity as Monitor (the "**Monitor**"), dated October ●, 2019 (the "**Sixth Report**"), was heard this day at 330 University Avenue, Toronto, Ontario.

ON READING the Notice of Motion, the Affidavit of ● sworn October ●, 2019 including the exhibits thereto, the Sixth Report, the Supplement to the Fifth Report of the Monitor dated ●, 2019 (the "**Supplemental Report**"), the affidavit of Taschina Ashmeade sworn October ●, 2019, and

upon hearing the submissions of counsel for the Payless Canada Entities, the Supporting Term Loan Lenders, and the Monitor, and no one else appearing although duly served as appears from the affidavit of service of Taschina Ashmeade sworn October ●, 2019;

DEFINED TERMS

1. **THIS COURT ORDERS** that all capitalized terms not otherwise defined herein shall be as defined in the Meetings Order made in these proceedings (the “**CCAA Proceedings**”) by Justice McEwen on September 17, 2019 (the “**Meetings Order**”) or the Plan, as applicable.

SERVICE, NOTICE AND MEETINGS

2. **THIS COURT ORDERS** that the time for service of the Notice of Motion, the Motion Record, and the Sixth Report be and is hereby validated such that this Motion is properly returnable today and that service thereof upon any interested party other than the persons served with the Motion Record is hereby dispensed with.

3. **THIS COURT ORDERS AND DECLARES** that there has been good and sufficient service, delivery and notice to all Affected Creditors of the Information Package and that the Creditors’ Meetings were duly, called, convened, held and conducted all in conformity with the CCAA, the Meetings Order and all other Orders of this Court in the CCAA Proceedings (collectively, the “**CCAA Orders**”).

SANCTION OF THE PLAN

4. **THIS COURT ORDERS AND DECLARES** that:

- (a) Pursuant to the Meetings Order, the relevant classes of creditors of the Payless Canada Entities for the purposes of voting to approve the Plan are the General Unsecured Creditors and the Landlords;
- (b) the Plan has been approved by Required Majorities, all in conformity with the CCAA and the terms of the CCAA Orders;

- (c) the Payless Canada Entities have acted, and are acting, in good faith and with due diligence, and have complied with the provisions of the CCAA and the CCAA Orders in all respects;
- (d) the Court is satisfied that the Payless Canada Entities have not done or purported to do anything that is not authorized by the CCAA; and
- (e) the Plan, all terms and conditions thereof, and the matters and the transactions contemplated thereby, are fair and reasonable.

5. **THIS COURT ORDERS** that the Plan and the Plan Supplement are hereby sanctioned and approved pursuant to section 6 of the CCAA.

PLAN IMPLEMENTATION

6. **THIS COURT ORDERS AND DECLARES** that the Plan and all associated steps, compromises, transactions, arrangements, and releases effected thereby (including, without limitation, the steps set out in the Plan Supplement) are hereby approved, shall be deemed to be implemented and shall be binding and effective as of the Effective Time in accordance with the terms of the Plan or at such other time, times or manner as may be set forth in the Plan in the sequence provided therein, and shall enure to the benefit of and be binding and effective upon the Payless Canada Entities, the Monitor, the Directors, the Officers, all Affected Creditors, the Released Parties, and all other Persons and parties named or referred to in, affected by, or subject to the Plan as provided for in the Plan, the Plan Supplement or this Sanction Order.

7. **THIS COURT ORDERS** that each of the Payless Canada Entities, the Directors, the Officers, and the Monitor, as applicable, is authorized and directed to take all steps and actions and to do all things, necessary or appropriate, to implement the Plan (including the Plan Supplement) in accordance with its terms and to enter into, execute, deliver, complete, implement and consummate all of the steps, transactions, distributions, disbursements, payments, deliveries, allocations, instruments and agreements contemplated by, and subject to the terms and conditions of, the Plan and the Plan Supplement, and all such steps and actions are hereby authorized, ratified and approved. None of the Payless Canada Entities, the Directors, the Officers, nor the Monitor shall incur any liability as a result of acting in accordance with the terms of the Plan, the

Plan Supplement, and this Sanction Order, other than any liability arising out of or in connection with the gross negligence or wilful misconduct of such parties.

8. **THIS COURT ORDERS** that upon delivery of written notice from the Payless Canada Entities (or counsel on their behalf) to the Monitor, the Term Loan Agent and the Supporting Term Loan Lenders that the conditions to Plan implementation set out in the Plan have been satisfied or waived, the Monitor shall, as soon as possible following receipt of such written notice, deliver to the Payless Canada Entities, the Term Loan Agent and the Supporting Term Loan Lenders, and file with the Court, a certificate substantially in the form attached hereto as **Schedule "B"** (the "**Monitor's Certificate**") which states that all conditions precedent to Plan Implementation set out in the Plan have been satisfied or waived and that the Implementation Date (which shall be set out on the certificate) has occurred and that the Plan, the Plan Supplement and the provisions of the Sanction Order which come into effect on the Implementation Date are effective in accordance with their respective terms. Following the delivery of the Monitor's Certificate to the Payless Canada Entities, the Monitor shall file the Monitor's Certificate with the Court, and shall post a copy of same, once filed, on the Monitor's Website and provide a copy to the Service List. Upon delivery of the Monitor's Certificate to the Payless Canada Entities, the Term Loan Agent and the Supporting Term Loan Lenders, all applicable parties shall take such steps as are required to implement the steps set out in the Plan Supplement.

COMPROMISE OF CLAIMS AND EFFECT OF PLAN

9. **THIS COURT ORDERS** that, pursuant to and in accordance with the terms of the Plan and the Plan Supplement, at the Effective Time, all existing Claims of Affected Creditors against the Payless Canada Entities shall be fully, finally, irrevocably and forever compromised, released, discharged, cancelled, extinguished and barred and all proceedings with respect to, in connection with or relating to such Claims shall permanently be stayed against the Released Parties, subject only to the right of Affected Creditors to receive the distributions pursuant to the Plan and this Sanction Order in respect of their Claims, in the manner and to the extent provided for in the Plan.

10. **THIS COURT ORDERS** that the determination of Proven Claims in accordance with the Claims Procedure Order, the Meetings Order, and Plan shall be final and binding on the Payless Canada Entities and all Affected Creditors.

11. **THIS COURT ORDERS** that an Affected Creditor holding a Disputed Claim shall not be entitled to receive a distribution under the Plan in respect of any portion thereof unless and until such Disputed Claim becomes a Proven Claim in accordance with the Claims Procedure Order, the Meetings Order, and Plan. The Monitor shall have no obligation to make distributions to Affected Creditors prior to the Affected Creditor Distribution Date.

12. **THIS COURT ORDERS** that nothing in the Plan extends to or shall be interpreted as extending or amending the Claims Bar Date or the Restructuring Period Claims Bar Date or gives or shall be interpreted as giving any rights to any Person in respect of Claims that have been barred or extinguished pursuant to the Claims Procedure Order. Any Affected Claim or Director/Officer Claim for which a Claim Statement or Amended Claim Statement, as applicable, was not sent and a Proof of Claim or Director/Officer Proof of Claim has not been filed in accordance with the Claims Procedure Order, whether or not the holder of such Affected Claim or Director/Officer Claim has received personal notification of the claims process established by the Claims Procedure Order, have been, shall be and are hereby forever barred, extinguished and released with prejudice.

13. **THIS COURT ORDERS** that, except to the extent expressly contemplated by the Plan, the Plan Supplement or this Sanction Order, all obligations or agreements to which the Payless Canada Entities are a party to immediately prior to the Effective Time, will be and shall remain in full force and effect as at the Implementation Date, unamended except as they may have been amended by agreement of the parties to such agreement, and no Person (excluding the Term Loan Agent and the Term Loan Lenders in respect of the Term Loan Claims, to whom the balance of paragraph 13 does not apply) who is a party to any such obligation or agreement shall, following the Implementation Date, accelerate, terminate, rescind, refuse to perform or otherwise repudiate its obligations thereunder, or enforce or exercise any right (including any right of set-off, option, dilution or other remedy) or make any demand under or in respect of any such obligation or agreement, by reason of: (i) any defaults or events of default arising as a result of the insolvency

of the Payless Canada Entities prior to the Implementation Date; (ii) any change of control of the Payless Canada Entities arising from the implementation of the Plan; (iii) the fact that the Payless Canada Entities have sought or obtained relief under the CCAA or that the Plan has been implemented by the Payless Canada Entities; (iv) the effect on the Payless Canada Entities of the completion of any of the transactions contemplated by the Plan or the Plan Supplement; (v) any compromises, arrangements, or reorganization effected pursuant to the Plan or the Plan Supplement; or (vi) any other event(s) which occurred on or prior to the Implementation Date which would have entitled any Person to enforce rights and remedies subject to any express provisions to the contrary in any agreements entered into with the Payless Canada Entities after the Filing Date.

14. **THIS COURT ORDERS** that from and after the Implementation Date, all Persons (excluding the Term Loan Agent and the Term Loan Lenders in respect of the Term Loan Claims, to whom the balance of paragraph 14 does not apply) shall be deemed to have waived any and all defaults of the Payless Canada Entities then existing or previously committed by the Payless Canada Entities, or caused by the Payless Canada Entities, directly or indirectly, or non-compliance with any covenant, warranty, representation, undertaking, positive or negative pledge, term, provision, condition or obligation, expressed or implied, in any contract, instrument, credit document, lease, guarantee, agreement for sale, deed, licence, permit or other agreement, written or oral, and any and all amendments or supplements thereto, existing between such Person and any of the Payless Canada Entities arising directly or indirectly from the filing by the Payless Canada Entities under the CCAA and the implementation of the Plan or the Plan Supplement, and any and all notices of default and demands for payment or any step or proceeding taken or commenced in connection therewith under any such agreement shall be deemed to have been rescinded and of no further force or effect, provided that nothing herein shall be deemed to excuse the Payless Canada Entities from performing their obligations under the Plan and the Plan Supplement or be a waiver of defaults by the Payless Canada Entities under the Plan and the Plan Supplement and the related documents.

15. **THIS COURT ORDERS** that on the Implementation Date, all equity interests in the Payless Canada Entities shall be extinguished except as set forth in the Plan Supplement.

16. **THIS COURT ORDERS** that on the Implementation Date, the Payless Canada Entities are authorized and directed to fund the Reserves and Affected Creditor Distribution Account in accordance with the Plan and the Plan Supplement. No amounts in the Reserves or the Affected Creditor Distribution Account shall be or be deemed to be held in trust for any Claimant.

17. **THIS COURT ORDERS** that sections 95 to 101 of the BIA and any other federal or provincial law relating to preferences, fraudulent conveyances, transfers at undervalue or oppression, shall not apply in any respect including, without limitation, to any dealings prior to the Filing Date, to the Plan, to the Plan Supplement, to any payments or distributions made in connection with the restructuring and recapitalization of the Payless Canada Entities, whether made before or after the Filing Date, or to any and all transactions contemplated by and to be implemented pursuant to the Plan and the Plan Supplement.

DISTRIBUTIONS

18. **THIS COURT ORDERS** that upon delivery of the funds constituting the Affected Creditor Distribution to the Affected Creditor Distribution Account by the Payless Canada Entities such funds shall be distributed to Affected Creditors under the Plan free and clear of all claims, rights, security interest or charges in favour of the Term Loan Lenders and the Term Loan Agent.

19. **THIS COURT ORDERS AND DECLARES** that all distributions or payments by the Monitor, on behalf of the Payless Canada Entities, to Affected Creditors with Proven Claims under the Plan are for the account of the Payless Canada Entities and the fulfillment of the Payless Canada Entities' obligations under the Plan.

20. **THIS COURT ORDERS** all distributions or other payments to be made under the Plan to General Unsecured Creditors or Landlords are conditional on the receipt of the Comfort Letter from the applicable Governmental Entity and in the event such Comfort Letter is not received by December 31, 2019, the Payless Canada Entities shall notify the Term Loan Agent and the Supporting Term Loan Lenders and, in consultation with the Monitor, may seek further directions of the Court on at least 5 Business Days notice to the Service List.

21. **THIS COURT ORDERS** that the Payless Canada Entities and the Monitor are authorized to take any and all such actions as may be necessary or appropriate to comply with applicable tax

withholding and reporting requirements, if any, relating to the distributions contemplated in the Plan and Plan Supplement. All amounts withheld on account of Taxes, if any, relating to the distributions contemplated in the Plan and Plan Supplement, shall be approved by the Monitor in advance (having regard to, *inter alia*, the claims of the Term Loan Agent and the Term Loan Lenders, and the priority thereof) and treated for all purposes as having been paid to Affected Creditors in respect of which such withholding was made, provided such withheld amounts are remitted to the appropriate Taxing Authority in accordance with legal requirements.

22. **THIS COURT ORDERS AND DECLARES** that the Payless Canada Entities or the Monitor on behalf of the Payless Canada Entities, as the case may be, shall be authorized, in connection with the making of any payment or distribution, and in connection with the taking of any step or transaction or performance of any function under or in connection with the Plan and the Plan Supplement, to apply to any Governmental Entity for any consent, authorization, certificate or approval in connection therewith.

23. **THIS COURT ORDERS AND DECLARES** that any distributions, disbursements or payments made under the Plan or this Sanction Order (including without limitation distributions made to or for the benefit of the Affected Creditors, Claims against the Reserves, the Term Loan Lenders or any other Person) shall not constitute a “distribution” by any person for the purposes of section 107 of the *Corporations Tax Act* (Ontario), section 22 of the *Retail Sales Tax Act* (Ontario), section 117 of the *Taxation Act, 2007* (Ontario), section 34 of the *Income Tax Act* (British Columbia), section 104 of the *Social Service Tax Act* (British Columbia), section 49 of the *Alberta Corporate Tax Act*, section 22 of the *Income Tax Act* (Manitoba), section 73 of *The Tax Administration and Miscellaneous Taxes Act* (Manitoba), section 14 of *An Act respecting the Ministère du Revenu* (Quebec), section 85 of *The Income Tax Act, 2000* (Saskatchewan), section 48 of *The Revenue and Financial Services Act* (Saskatchewan), section 56 of the *Income Tax Act* (Nova Scotia), section 159 of the *Income Tax Act* (Canada), section 270 of the *Excise Tax Act* (Canada), section 46 of the *Employment Insurance Act* (Canada), or any other similar federal, provincial or territorial tax legislation (collectively, the “**Tax Statutes**”), and the Monitor, in making any such distributions, disbursements or payments on behalf of the Payless Canada Entities, as applicable, is merely a disbursing agent under the Plan and is not exercising any discretion in

making payments under the Plan and no person is “distributing” such funds for the purpose of the Tax Statutes, and the Payless Canada Entities, the Monitor and any other person shall not incur any liability under the Tax Statutes in respect of distributions, disbursements or payments made by it and the Payless Canada Entities, the Monitor and any other person is hereby forever released, remised and discharged from any claims against it under or pursuant to the Tax Statutes or otherwise at law, arising in respect of or as a result of distributions, disbursements or payments made by it in accordance with the Plan and this Sanction Order and any claims of this nature are hereby forever barred.

CHARGES

24. **THIS COURT ORDERS** that the Administration Charge and the Directors’ Charge shall continue in full force and effect and shall, from and after the Effective Time, attach solely against the Administrative Reserve and the Directors’ Claim Reserve, respectively.

RELEASES

25. **THIS COURT ORDERS AND DECLARES** that the compromises, arrangements, releases, discharges and injunctions contemplated in Article 8 of the Plan, including those granted by and for the benefit of the Released Parties are integral components thereof and that, effective on the Implementation Date, all such compromises, releases, discharges and injunctions contemplated in the Plan are effective, sanctioned, approved and given full force and effect.

26. **THIS COURT ORDERS** that nothing contained in this Order shall release or discharge:

- (a) the Payless Canada Entities and their respective assets, undertakings and properties from any Unaffected Claim that has not been paid in full under the Plan or the Plan Supplement to the extent of such non-payment;
- (b) a Released Party from its obligations under the Plan or the Plan Supplement;
- (c) subject to paragraph 27 below, a Released Party found by a court of competent jurisdiction by final determination on the merits to have committed fraud or wilful misconduct in relation to a Released Claim for which it is responsible at law; or

- (d) subject to paragraph 27 below, the Directors from any Claims which have been preserved in accordance with the Claims Procedure Order that cannot be compromised due to the provisions of section 5.1(2) of the CCAA.

27. **THIS COURT ORDERS** that, to the extent not barred, released or otherwise affected by paragraph 12 above, and notwithstanding paragraph 26 above, any Person having, or claiming any entitlement or compensation relating to, a Director/Officer Claim (with the exception of any Director/Officer Claims judged by the express terms of a judgment rendered on a final determination on the merits to have resulted from criminal, fraudulent or other wilful misconduct on the part of the Director or Officer (an “**Excluded Director/Officer Claim**”)) will be irrevocably limited to recovery in respect of such Director/Officer Claim solely from the proceeds of the applicable insurance policies held by the Payless Canada Entities (the “**Insurance Policies**”), and Persons with any Director/Officer Claims will have no right to, and shall not, directly or indirectly, make any claim or seek any recoveries from the Payless Canada Entities or any Released Party, other than enforcing such Person’s rights to be paid by the applicable insurer(s) from the proceeds of the applicable Insurance Policies. Nothing in this Plan Sanction Order prejudices, compromises, releases or otherwise affects any right or defence of any insurer in respect of an Insurance Policy or any insured in respect of a Director/Officer Claim. Notwithstanding anything to the contrary herein, from and after the Implementation Date, a Person may only commence or continue an action for an Excluded Director/Officer Claim against a Director or Officer if such Person has first obtained leave of the Court on notice to the applicable Directors and Officers, the Monitor and the Payless Canada Entities.

28. **THIS COURT ORDERS** that from and after the Implementation Date, any and all Persons shall be and are hereby forever barred, estopped, stayed and enjoined from commencing, taking, applying for or issuing or continuing any and all steps or proceedings, whether directly, derivatively or otherwise, and including without limitation, administrative hearings and orders, declarations or assessments, commenced, taken or proceeded with or that may be commenced, taken or proceeded with against any Released Party in respect of all Claims and matters which are released pursuant to Article 8 of the Plan or discharged, compromised or terminated pursuant to the Plan, except as against the applicable insurer(s) to the extent that Persons with Director/Officer Claims

seek to enforce rights to be paid from the proceeds of the Insurance Policies, and provided that any claimant in respect of a Director/Officer Claim that was duly filed with the Monitor by the Claims Bar Date shall be permitted to file a statement of claim in respect thereof to the extent necessary solely for the purpose of preserving such claimant's ability to pursue such Director/Officer Claim against an insurer in respect of an Insurance Policy. Notwithstanding anything to the contrary contained herein, from and after the Implementation Date, a Person may only commence or continue an action against a Released Party in respect of a matter that is not released pursuant to Article 8.1(a)-(d) of the Plan if such Person has first obtained leave of the Court on notice to the applicable Released Party, the Payless Canada Entities, the Monitor and the insurer(s) under any applicable Insurance Policy.

29. **THIS COURT ORDERS** that, on the Implementation Date, each Affected Creditor, each holder of a Director/Officer Claim and any Person having a Released Claim shall be deemed to have consented and agreed to all of the provisions of the Plan and the Plan Supplement, in their entirety, and, in particular, each Affected Creditor, each holder of a Director/Officer Claim and any Person having a Released Claim shall be deemed:

- (a) to have executed and delivered to the Monitor, the Payless Canada Entities and the other Released Parties all consents, releases, assignments and waivers, statutory or otherwise, required to implement and carry out the Plan and the Plan Supplement in their entirety; and
- (b) to have agreed that if there is any conflict between the provisions, express or implied, of any agreement or other arrangement, written or oral, existing between such Affected Creditor, holder of a Director/Officer Claim, and the Payless Canada Entities as of the Implementation Date and the provisions of the Plan and the Plan Supplement, the provisions of the Plan and the Plan Supplement take precedence and priority, and the provisions of such agreement or other arrangements shall be deemed to be amended accordingly.

THE MONITOR

30. **THIS COURT ORDERS** that in addition to its prescribed rights and obligations under the CCAA and the CCAA Orders, the Monitor is granted the powers, duties and protections contemplated by and required under the Plan and Plan Supplement and that the Monitor be and is hereby authorized, entitled and empowered to perform its duties and fulfil its obligations under the Plan and the Plan Supplement to facilitate the implementation thereof and to apply to this Court for any orders necessary or advisable to carry out its powers and obligations under any other CCAA Order.

31. **THIS COURT ORDERS** that, without limiting the provisions of the Initial Order or the provisions of any other CCAA Order, including this Sanction Order, the Payless Canada Entities shall remain in possession and control of the Property (as defined in the Initial Order) and the Monitor shall not take possession or be deemed to be in possession and/or control of the Property.

32. **THIS COURT ORDERS** that, subject to further order of the Court, the Payless Canada Entities shall be and are hereby directed to maintain the books and records of the Payless Canada Entities for purposes of assisting the Monitor in the completion of the resolution of the General Unsecured Claims and Landlord Claims.

33. **THIS COURT ORDERS AND DECLARES** that in no circumstance will the Monitor have any liability for any of the Payless Canada Entities' tax liabilities regardless of how or when such liabilities may have arisen, nor will the Monitor or the Directors have any liability for any tax liabilities arising as a result of any distributions to be made by the Monitor or the Payless Canada Entities under the Plan or Plan Supplement.

34. **THIS COURT ORDERS** that, effective upon the delivery of the Monitor's Certificate to the Payless Canada Entities in accordance with paragraph 8 hereof, the Payless Canada Entities shall not be subject to the restrictions, obligations, requirements or provisions of paragraphs 11, 12, 12A, 12B, 13, 14, 15, 16, 24, [28], 37(a) and 37(d) of the Initial Order.

DISTRIBUTIONS TO THE TERM LOAN LENDERS

35. **THIS COURT ORDERS** that [NTD: to conform with Plan Supplement].

APPROVAL OF MONITOR'S SIXTH REPORT AND THE SUPPLEMENTAL REPORT

36. **THIS COURT ORDERS** that the Sixth Report and Supplemental Report and the activities of the Monitor, as applicable, referred to therein, be and are hereby approved; *provided, however*, that only the Monitor, in its personal capacity and only with respect to its own personal liability, shall be entitled to rely upon or utilize in any way such approval.

GENERAL

37. **THIS COURT ORDERS** that the Payless Canada Entities, the Monitor and any other interested parties are hereby granted leave to apply to this Court for such further advice, directions or assistance as may be necessary to give effect to the terms of the Plan and any other matters that pertain to the completion of the administration of the CCAA Proceedings.

38. **THIS COURT HEREBY REQUESTS** the aid and recognition of any court or any judicial, regulatory or administrative body having jurisdiction in Canada, the United States, or in any other foreign jurisdiction, to recognize and give effect to the Plan and this Sanction Order, to confirm the Plan and this Sanction Order as binding and effective in any appropriate foreign jurisdiction, and to assist the Payless Canada Entities, the Monitor and their respective agents in carrying out the terms of the Plan and this Sanction Order. All courts, tribunals, regulatory and administrative bodies are hereby respectfully requested to make such orders and to provide such assistance to the Payless Canada Entities, and the Monitor, as an officer of this Court, as may be necessary or desirable to give effect to this Sanction Order, to grant representative status to the Payless Canada Entities in any foreign proceeding, or to assist the Payless Canada Entities and the Monitor and their respective agents in carrying out the terms of this Sanction Order.

SCHEDULE "A"
PLAN OF COMPROMISE AND ARRANGEMENT

SCHEDULE "B"
FORM OF MONITOR'S PLAN IMPLEMENTATION DATE CERTIFICATE

**ONTARIO
SUPERIOR COURT OF JUSTICE
(COMMERCIAL LIST)**

**IN THE MATTER OF THE *COMPANIES' CREDITORS ARRANGEMENT ACT*,
R.S.C. 1985, c. C-36, AS AMENDED**

**AND IN THE MATTER OF A PLAN OF COMPROMISE OR ARRANGEMENT OF PAYLESS
SHOESOURCE CANADA INC. AND PAYLESS SHOESOURCE CANADA GP INC.**

(the "**Applicants**")

**MONITOR'S CERTIFICATE
(Plan Implementation)**

All capitalized terms not otherwise defined herein shall have the meanings ascribed thereto in the Order of the Honourable ● Justice ● made in these proceedings on October [29], 2019 (the "**Sanction Order**").

Pursuant to paragraph 8 of the Sanction Order, FTI Consulting Canada Inc., solely in its capacity as Court-appointed monitor (the "**Monitor**") of the Applicants and Payless ShoeSource Canada LP (collectively, the "**Payless Canada Entities**"), delivers to the Payless Canada Entities, the Term Loan Agent and the Supporting Term Loan Lender this certificate and hereby certifies that it has been informed in writing by the Payless Canada Entities that all of the conditions precedent set out in the Plan have been satisfied or waived, and that the Implementation Date has occurred and the Plan and the provisions of the Sanction Order which come into effect on the Implementation Date are effective in accordance with their respective terms. This Certificate will be filed with the Court and posted on the website maintained by the Monitor.

DATED at the City of Toronto, in the Province of Ontario, this ● day of ●, 2019 at [● a.m./p.m.]

FTI CONSULTING CANADA INC., solely in its capacity as Court-appointed Monitor of the Payless Canada Entities and not in its personal or corporate capacity

By: _____
Name:
Title:

**IN THE MATTER OF THE COMPANIES' CREDITORS ARRANGEMENT ACT, R.S.C. 1985, c. C-36, AS AMENDED
AND IN THE MATTER OF A PLAN OF COMPROMISE OR ARRANGEMENT OF PAYLESS SHOESOURCE CANADA INC. AND PAYLESS
SHOESOURCE CANADA GP INC.**

**ONTARIO
SUPERIOR COURT OF JUSTICE
(COMMERCIAL LIST)**

PROCEEDING COMMENCED AT TORONTO

PLAN SANCTION ORDER

Cassels Brock & Blackwell LLP

2100 Scotia Plaza
40 King Street West
Toronto, ON M5H 3C2

Ryan Jacobs LSO#: 59510J
Tel: 416. 860.6465
Fax: 416. 640.3189
rjacobs@casselsbrock.com

Jane Dietrich LSO#: 49302U
Tel: 416. 860.5223
Fax: 416. 640.3144
jdietrich@casselsbrock.com

Natalie E. Levine LSO#: 64980K
Tel: 416. 860.6568
Fax: 416. 640.3207
nlevine@casselsbrock.com

*Lawyers for Payless ShoeSource Canada Inc., Payless
ShoeSource Canada GP Inc. and Payless ShoeSource Canada
LP*

EXHIBIT "B"
DISCLOSURE STATEMENT FOR SECOND AMENDED U.S. PLAN

**UNITED STATES BANKRUPTCY COURT
EASTERN DISTRICT OF MISSOURI
EASTERN DIVISION**

In re:)
) Chapter 11
)
Payless Holdings LLC, *et al.*,) Case No. 19-40883-659
)
) Jointly Administered
Debtors.)
)
)

**DISCLOSURE STATEMENT FOR SECOND AMENDED JOINT PLAN OF
REORGANIZATION OF PAYLESS HOLDINGS LLC AND ITS DEBTOR AFFILIATES
PURSUANT TO CHAPTER 11 OF THE BANKRUPTCY CODE**

Ira Dizengoff (admitted *pro hac vice*)
Meredith A. Lahaie (admitted *pro hac vice*)
Kevin Zuzolo (admitted *pro hac vice*)
AKIN GUMP STRAUSS HAUER & FELD LLP
One Bryant Park
New York, New York 10036
Telephone: (212) 872-1000
Facsimile: (212) 872-1002

Richard W. Engel, Jr. (MO 34641)
Erin M. Edelman (MO 67374)
John G. Willard (MO 67049)
ARMSTRONG TEASDALE LLP
7700 Forsyth Boulevard, Suite 1800
St. Louis, Missouri 63105
Telephone: (314) 621-5070
Facsimile: (314) 621-2239

-and-

Julie Thompson (admitted *pro hac vice*)
AKIN GUMP STRAUSS HAUER & FELD LLP
2001 K Street N.W.
Washington, D.C. 20006
Telephone: (202) 887-4000
Facsimile: (202) 887-4288

John R. Ashmead (admitted *pro hac vice*)
Robert J. Gayda (admitted *pro hac vice*)
Catherine V. LoTempio (admitted *pro hac vice*)

-and-

David Staber (admitted *pro hac vice*)
AKIN GUMP STRAUSS HAUER & FELD LLP
2300 N. Field Street, Suite 1800
Dallas, Texas 75201
Telephone: (214) 969-2800
Facsimile: (214) 969-4343

SEWARD & KISSEL LLP
One Battery Park Plaza
New York, NY 10004
Telephone: (212) 574-1200
Facsimile: (212) 480-8421

*Counsel to the Debtors and Debtors in Possession, acting at the
direction of the Special Committee*

Co-Counsel to the Debtors and Debtors in Possession

IMPORTANT INFORMATION FOR YOU TO READ

THE DEADLINE TO VOTE ON THE PLAN IS OCTOBER 17, 2019, AT 4:00 P.M. CENTRAL TIME.

FOR YOUR VOTE TO BE COUNTED, YOUR BALLOT MUST BE ACTUALLY RECEIVED BY THE NOTICING AND CLAIMS AGENT BEFORE THE VOTING DEADLINE AS DESCRIBED HEREIN.

This Disclosure Statement provides information regarding the Debtors' Plan, which the Debtors seek to have confirmed in the Bankruptcy Court. A copy of the Plan is attached hereto as Exhibit A. Unless otherwise noted, all capitalized terms used but not otherwise defined herein have the meaning ascribed to them in the Plan.

The consummation and effectiveness of the Plan are subject to certain material conditions precedent described herein. There is no assurance that the Bankruptcy Court will confirm the Plan or, if the Bankruptcy Court does confirm the Plan, that the conditions necessary for the Plan to go effective will be satisfied or otherwise waived.

You are encouraged to read this Disclosure Statement (including Article VIII hereof entitled "Plan-Related Risk Factors") and the Plan in their entirety before submitting your Ballot to vote on the Plan.

The Bankruptcy Court's approval of this Disclosure Statement does not constitute a guarantee by the Bankruptcy Court of the accuracy or completeness of the information contained herein or an endorsement by the Bankruptcy Court of the merits of the Plan.

Summaries of the Plan and statements made in this Disclosure Statement are qualified in their entirety by reference to the Plan. The summaries of the financial information and the documents annexed to this Disclosure Statement or otherwise incorporated herein by reference are qualified in their entirety by reference to those documents. The statements contained in this Disclosure Statement are made only as of the date of this Disclosure Statement, and there is no assurance that the statements contained herein will be correct at any time after such date. Except as otherwise provided in the Plan or in accordance with applicable law, the Debtors are under no duty to update or supplement this Disclosure Statement.

The Debtors are providing the information in this Disclosure Statement to Holders of Claims and Equity Interests for purposes of soliciting votes to accept or reject the Debtors' Second Amended Joint Plan of Reorganization Pursuant to Chapter 11 of the Bankruptcy Code. In the event of any inconsistency between the Disclosure Statement and the Plan, the relevant provisions of the Plan will govern. Nothing in this Disclosure Statement may be relied upon or used by any entity for any other purpose. Before deciding whether to vote for or against the Plan, each Holder entitled to vote should carefully consider all of the information in this Disclosure Statement, including the Plan-Related Risk Factors described in Article VIII.

The Debtors urge each Holder of a Claim or Equity Interest to consult with its own advisors with respect to any legal, financial, securities, tax, or business advice in reviewing this Disclosure Statement, the Plan, and each proposed transaction contemplated by the Plan.

This Disclosure Statement contains, among other things, summaries of the Plan, certain statutory provisions, certain events in the Debtors' Chapter 11 Cases, and certain documents related to the Plan, attached hereto and/or incorporated by reference herein. Although the Debtors believe that these summaries are fair and accurate, they are qualified in their entirety to the extent that they do not set forth the entire text of such documents or statutory provisions or every detail of such events. In the event of any inconsistency or discrepancy between a description in this Disclosure Statement and the terms and provisions of the Plan or any other documents incorporated herein by reference, the Plan or such other documents will govern for all purposes. Factual information contained in this Disclosure Statement has been provided by the Debtors' management except where otherwise specifically noted. The Debtors do not represent or warrant that the information contained herein or attached hereto is without any material inaccuracy or omission.

The Debtors have prepared this Disclosure Statement in accordance with section 1125 of the Bankruptcy Code, Bankruptcy Rule 3016(b), and Local Bankruptcy Rule 3017, and this Disclosure Statement is not necessarily prepared in accordance with U.S. federal or state securities laws, or other similar laws.

In preparing this Disclosure Statement, the Debtors relied on financial data derived from the Debtors' books and records and on various assumptions regarding the Debtors' businesses. Although the Debtors believe that such financial information fairly reflects the financial condition of the Debtors as of the date hereof and that the assumptions regarding future events reflect reasonable business judgments, the Debtors make no representations or warranties as to the accuracy of the financial information contained in this Disclosure Statement or assumptions regarding the Debtors' businesses and their future results and operations. The Debtors expressly caution readers not to place undue reliance on any forward looking statements contained herein.

This Disclosure Statement does not constitute, and should not be construed as, an admission of fact, liability, stipulation, or waiver by the Debtors or any other party. The Debtors may seek to investigate, file, and prosecute Claims and may object to Claims after the Confirmation or Effective Date of the Plan irrespective of whether this Disclosure Statement identifies such Claims or objections to Claims.

The Debtors are making the statements and providing the financial information contained in this Disclosure Statement as of the date hereof, unless otherwise specifically noted. Although the Debtors may subsequently update the information in this Disclosure Statement, the Debtors have no affirmative duty to do so, and expressly disclaim any duty to publicly update any forward looking statements, whether as a result of new information, future events, or otherwise. Holders of Claims and Equity Interests reviewing this Disclosure Statement should not infer that, at the time of their review, the facts set forth herein have not changed since this Disclosure Statement was filed. Information contained herein is subject to completion, modification, or amendment. The Debtors reserve the right to file an amended or modified Plan and related Disclosure Statement from time to time, subject to the terms of the Plan.

The Debtors have not authorized any Entity to give any information about or concerning the Plan other than that contained in this Disclosure Statement. The Debtors have not authorized any representations concerning the Debtors or the value of their property other than as set forth in this Disclosure Statement.

If the Bankruptcy Court confirms the Plan and the Effective Date occurs, the terms of the Plan and the restructuring transactions contemplated by the Plan will bind the Debtors, any Person acquiring property under the Plan, all Holders of Claims and Interests (including those Holders of Claims and Interests that do not submit Ballots to accept or reject the Plan or that are not entitled to vote on the Plan), and any other Person or Entity as may be ordered by the Bankruptcy Court in accordance with the applicable provisions of the Bankruptcy Code.

SPECIAL NOTICE REGARDING U.S. SECURITIES LAWS

Neither this Disclosure Statement nor the Plan have been filed with the United States Securities and Exchange Commission (the "SEC") or any state or provincial authority. The Plan has not been approved or disapproved by the SEC or any state or provincial securities commission and neither the SEC nor any state securities commission has passed upon the accuracy or adequacy of this Disclosure Statement or the merits of the Plan. Any representation to the contrary is a criminal offense.

This Disclosure Statement has been prepared pursuant to section 1125 of the Bankruptcy Code and Bankruptcy Rule 3016(b) and is not necessarily in accordance with federal, state or provincial securities laws or other similar laws. The securities to be issued on or after the Effective Date will not have been the subject of a registration statement filed with the SEC under the Securities Act of 1933, as amended (the "Securities Act") or any securities regulatory authority of any state under any state securities law ("Blue Sky Laws") and such securities may be issued pursuant to applicable exemptions under the federal securities laws. To the extent exemptions from registration under section 1145 of the Bankruptcy Code or applicable federal securities law do not apply, the securities may not be offered or sold except pursuant to a valid exemption or upon registration under the Securities Act.

This Disclosure Statement contains “forward looking statements”. Such statements consist of any statement other than a recitation of historical fact and can be identified by the use of forward looking terminology such as “may,” “expect,” “anticipate,” “estimate,” or “continue” or the negative thereof or other variations thereon or comparable terminology. You are cautioned that all forward looking statements are necessarily speculative and there are certain risks and uncertainties that could cause actual events or results to differ materially from those referred to in such forward looking statements. The Liquidation Analysis, distribution projections, and other information contained herein and attached hereto are estimates only, and the timing and amount of actual distributions to Holders of Allowed Claims may be affected by many factors that cannot be predicted. Any analyses, estimates, or recovery projections may or may not turn out to be accurate.

Making investment decisions based on the information contained in this Disclosure Statement and/or the Plan is therefore highly speculative. The Debtors recommend that potential recipients of any securities issued pursuant to the Plan consult their own legal counsel concerning the securities laws governing the transferability of any such securities.

QUESTIONS AND ADDITIONAL INFORMATION

If you would like to obtain copies of this Disclosure Statement, the Plan, or any of the documents attached hereto or referenced herein, or have questions about the solicitation and voting process or these Chapter 11 Cases generally, please contact:

Prime Clerk LLC regarding the Chapter 11 Cases by (a) calling the Debtors’ restructuring hotline at 844-339-4268; (b) emailing pssinfo@primeclerk.com; (c) visiting the Debtors’ restructuring website at: <https://cases.primeclerk.com/pss>; and/or (d) writing to Prime Clerk LLC at Payless Balloting Center c/o Prime Clerk LLC, One Grand Central Place, 60 East 42nd Street, Suite #1440, New York, NY 10165.

The Canadian Debtors are not plan proponents under the Plan. The Canadian Debtors intend to file a motion for dismissal of the Canadian Debtors’ Chapter 11 Cases to be effective upon implementation of the Plan and intend to separately bring forward a motion in the Canadian Court for approval of a plan of compromise or arrangement under the CCAA, all as outlined in further detail below. For information regarding the Canadian Debtors, please visit: <http://cfcanada.fticonsulting.com/paylesscanada/>.

TABLE OF CONTENTS

	<u>Page</u>
I. EXECUTIVE SUMMARY	1
A. Introduction	1
B. Key Constituent Support for the Plan and Global Settlement	2
C. Plan Overview	3
D. Treatment of Claims and Interests Under the Plan	4
E. Plan Timeline and Related Contingencies	6
II. BACKGROUND TO THESE RESTRUCTURING PROCEEDINGS.....	7
A. Corporate History and Current Structure	7
B. Prepetition Businesses And Operations	7
C. Prepetition Organizational Structure, Capitalization, and Indebtedness	8
D. Events Leading up to the Chapter 11 Filing	9
III. ADMINISTRATION OF THE RESTRUCTURING PROCEEDINGS.....	13
A. Overview of the Cross Border Restructuring Proceedings.....	13
B. First and Second Day Relief	14
C. Other Material Events in These Chapter 11 Cases	16
IV. SUMMARY OF THE PLAN.....	21
A. General Basis for the Plan.....	21
B. Proposed Treatment of Each Class of Claims and Interests	21
C. Post-Emergence Capital Structure	26
D. Certain Means for Implementation of the Plan	26
E. Treatment of Executory Contracts and Unexpired Leases	38
F. Distributions on Account of Claims	41
G. Resolution of Contingent, Unliquidated, or Disputed Claims	49
H. The Debtor Release, Third-Party Release, Injunction, and Exculpation	50
I. Modification, Revocation, or Withdrawal of the Plan	54
J. Important Securities Law Disclosure	54
V. VALUATION AND FINANCIAL PROJECTIONS	57
A. Estimation of Payless’ Enterprise Value	57
B. Financial Projections.....	57
C. Liquidation Analysis	57
VI. SOLICITATION AND VOTING PROCEDURES	58
VII. CONFIRMATION AND CONSUMMATION OF THE PLAN.....	61
A. Statutory Requirements for Confirmation of the Plan.....	61
B. Conditions for Consummation of the Plan	65

C.	Alternatives to Confirmation and Consummation of the Plan	66
VIII.	PLAN-RELATED RISK FACTORS.....	67
A.	Risks Relating to Confirmation of the Plan	67
B.	Risks Relating to Recoveries Under the Plan.....	69
C.	Risks Relating to the Debtors' Businesses	70
D.	Disclosure Statement Disclaimer	73
IX.	CERTAIN U.S. FEDERAL INCOME TAX CONSEQUENCES OF THE PLAN.....	75
A.	Brief Overview and Disclosure	75
B.	Consequences to the Debtors and Reorganized Debtors	76
C.	Consequences to U.S. Holders of Allowed Claims	79
D.	U.S. Federal Income Tax Consequences to Non-U.S. Holders of Allowed Claims.....	84
E.	Tax Treatment of the Liquidating Trust and Holders of Beneficial Interests Therein	86
F.	Information Reporting and Backup Withholding.....	88
G.	Certain Canadian Federal Income Tax Considerations	88
X.	RECOMMENDATION	91

EXHIBITS

- EXHIBIT A Plan of Reorganization
- EXHIBIT B Corporate Structure Chart
- EXHIBIT C Disclosure Statement Order
- EXHIBIT D Financial Projections
- EXHIBIT E Liquidation Analysis
- EXHIBIT F Estimation of Payless' Enterprise Value

THE DEBTORS HEREBY ADOPT AND INCORPORATE EACH EXHIBIT ATTACHED TO
THIS DISCLOSURE STATEMENT BY REFERENCE AS THOUGH FULLY SET FORTH
HEREIN.

I.

EXECUTIVE SUMMARY

A. INTRODUCTION

Payless ShoeSource Inc., a Missouri corporation, together with 26 of its affiliates as debtors and debtors in possession (collectively, the "Original Debtors"), each filed a voluntary petition for relief under chapter 11 of the Bankruptcy Code in the United States Bankruptcy Court for the Eastern District of Missouri on February 18, 2019 (the "Original Petition Date" and the "Original Chapter 11 Cases"). Two of the Original Debtors' affiliates¹ (the "July Debtors" and, together with the Original Debtors, the "Debtors") filed voluntary petitions for relief under chapter 11 of the Bankruptcy Code in the United States Bankruptcy Court for the Eastern District of Missouri on July 7, 2019 (the "July Petition Date," the "July Chapter 11 Cases" and, together with the Original Chapter 11 Cases, the "Chapter 11 Cases"). The Debtors' Chapter 11 Cases are jointly administered under lead case name Payless Holdings LLC and lead case number 19-40883-659.

On February 19, 2019 (the "Filing Date"), Payless ShoeSource Canada Inc. and Payless ShoeSource Canada GP Inc. sought and obtained an initial order (the "Initial Order") under the *Companies' Creditors Arrangement Act* (Canada) (the "CCAA") from the Canadian Court. The Initial Order's protections extend to Payless ShoeSource Canada LP (collectively, with Payless ShoeSource Canada Inc. and Payless ShoeSource Canada GP Inc., the "Canadian Debtors"). The Canadian Debtors were among the Original Debtors in the Original Chapter 11 Cases. The Canadian Debtors are not plan proponents under the Plan (as defined below). The Canadian Debtors intend to file a motion for dismissal of the Canadian Debtors' Chapter 11 Cases to be effective upon implementation of the Plan and intend to separately bring forward a motion in Canada for approval of a plan of compromise or arrangement under the CCAA. For purposes of the Plan and this Disclosure Statement (as defined below), "Debtors" refers to the July Debtors and the Original Debtors, excluding the Canadian Debtors.

Before soliciting acceptances of a proposed chapter 11 plan of reorganization, section 1125 of the Bankruptcy Code requires a debtor to prepare a disclosure statement that contains information of a kind, and in sufficient detail, to permit a hypothetical reasonable investor to make an informed judgment regarding acceptance of the plan of reorganization.

Accordingly, the Debtors submit this disclosure statement (this "Disclosure Statement"), pursuant to section 1125 of the Bankruptcy Code, to Holders of Claims against and Interests in the Debtors in connection with the solicitation of votes for acceptance of the *Second Amended Joint Plan of Reorganization of Payless Holdings LLC and Its Debtor Affiliates Pursuant to Chapter 11 of the Bankruptcy Code* (the "Plan") [Docket No. 1581], dated September 16, 2019, as amended, supplemented, or modified from time to time in accordance with its terms. A copy of the Plan is attached hereto as Exhibit A and incorporated herein by reference. The Plan constitutes a separate chapter 11 plan for each of the Debtors.

On September 18, 2019, the Bankruptcy Court entered an order [Docket No. 1595] (the "Disclosure Statement Order") (a) approving the Disclosure Statement as containing adequate information, (b) approving, among other things, the dates, procedures, and forms applicable to the process of soliciting votes on and providing notice of the Plan and certain vote tabulation procedures, (c) establishing the deadline for filing objections to the Plan, and (d) scheduling the Confirmation Hearing. The Disclosure Statement Order is attached hereto as Exhibit C.

A hearing to consider confirmation of the Plan is scheduled to be held before the Honorable Kathy A. Surratt-States at 10:00 a.m. Central Time, October 23, 2019 at the Bankruptcy Court, Thomas F. Eagleton U.S. Courthouse, 111 S. 10th Street, 4th Floor, Courtroom 7 North, St. Louis, MO 63102. Additional information with respect to Confirmation is provided in Article VII of this Disclosure Statement.

This Disclosure Statement includes information about, without limitation, (i) the Debtors' business, prepetition operations, financial history, and events leading up to these Chapter 11 Cases, (ii) the significant events that occurred thus far in these Chapter 11 Cases, (iii) the anticipated recoveries of Creditors under the Plan, (iv) the procedures by which the Debtors intend to solicit and tabulate votes on the Plan, (v) the Plan Confirmation process, (vi) certain risk factors to be considered before voting on the Plan, and (vii) discussions relating to certain securities

¹ Specifically, Collective Brands Logistics Limited and Payless Sourcing, LLC.

registration and tax consequences of the Plan. The descriptions and summaries of certain provisions of, and financial transactions contemplated by, the Plan being proposed by the Debtors relate to the Plan filed with the Bankruptcy Court on September 16, 2019. The Plan remains subject to ongoing negotiations between the Debtors and their stakeholders and may be modified.

This Executive Summary is only a general overview of this Disclosure Statement and the material terms of, and transactions proposed by, the Plan. The Executive Summary is qualified in its entirety by reference to the more detailed discussions appearing elsewhere in this Disclosure Statement and the exhibits attached to this Disclosure Statement (including the Plan) and the Plan Supplement. The Debtors urge all parties to read this Executive Summary in conjunction with the entire Disclosure Statement, the Plan, and the Plan Supplement.

B. KEY CONSTITUENT SUPPORT FOR THE PLAN AND GLOBAL SETTLEMENT

The Plan is supported by substantially all of the Debtors key stakeholders, including the Creditors' Committee (defined below) and certain term lenders under the Debtors' Prepetition Term Loan Facility (the "Supporting Term Lenders"), Axar Capital Management ("Axar" and, together with its Affiliates, the "Axar Entities") and Alden Global Capital ("Alden", and, together with its Affiliates, the "Alden Entities") who collectively hold or control at least 70% of the Debtors' Prepetition Term Loan Facility.²

Subsequent to the filing of the previous versions of the Plan and after arm's length negotiations, the Debtors (through the Special Committee, as more fully described in Article III.C.7 hereof), the Creditors' Committee and the Lender Plan Support Parties agreed to the global settlement as set forth in the Plan. Pursuant to the global settlement, among other terms: (i) holders of Tranche A-1 Term Loan Secured Claims will receive their respective share of \$68.8 million in cash consideration; (ii) holders of Tranche A-2 Term Loan Secured Claims will receive their respective share of 100% of the equity in the Reorganized Debtors; (iii) unsecured creditors³ will receive their respective share, as set forth in the Plan, of \$15 million in cash consideration⁴; (iv) holders of claims under the Debtors' Prepetition Term Loan Facility will waive recovery on account of their deficiency claims; (v) the expenses of the Liquidating Trust of up to \$2 million will be funded by the Reorganized Debtors; and (vi) the Plan will provide for the release of certain Causes of Action belonging to the Debtors' Estates. This settlement is a global settlement of all issues related to, among other issues, the Debtors' business, capital structure, and certain Causes of Action belonging to the Estates.

With the global settlement, the Creditors' Committee supports the Plan and the releases contained therein, and recommends that all Holders of General Unsecured Claims vote to accept the Plan.

The global settlement substantially increased recoveries to unsecured creditors compared to what was provided in the previous versions of the Plan. In contrast to liquidation, the Plan preserves value for creditors and minimizes additional potential claims that could dilute recoveries to all Creditors. The Debtors believe that these, among others, are substantial reasons to vote to **ACCEPT** the Plan.

Although the result of the liquidation of the North America brick and mortar business was positive, the Debtors, the Creditors' Committee and the Lender Plan Support Parties acknowledge that the continuation of these Chapter 11 Cases will drain finite estate resources, which may make a reorganization more difficult to achieve. Further, the Debtors, the Creditors' Committee and the Lender Plan Support Parties believe that the Plan should be approved expeditiously in order to preserve the Company's remaining business channels, which is an important component of the going-forward business, and value preservation and creation.

² The Supporting Term Lenders, the Axar Entities and the Alden Entities together make up the "Lender Plan Support Parties". Certain decisions or actions under the Plan require the support of Axar, Alden, and either Invesco or Octagon (the "Requisite Lender Plan Support Parties"). Specifically, any decision or action requiring support of the Requisite Lender Plan Support Parties that materially or adversely affects any of Axar, Alden, Invesco or Octagon in a manner different from other Lender Plan Support Parties will require the consent of the party treated differently. Further any decision or action on which the Requisite Lender Plan Support Parties have consent or approval rights that materially and adversely affects the holders of Tranche A-1 Term Loan Secured Claims or in any way modifies the treatment of the Tranche A-1 Term Loan Secured Claims will require the consent of holders of over 67% of the Tranche A-1 Term Loan Secured Claims.

³ As used here, unsecured creditors includes holders of unsecured claims against any of the Debtors or the Canadian Debtors.

⁴ Subject to certain deductions as set forth in the Plan.

Consummation of the Plan will significantly de-lever the Debtors' capital structure and serve to preserve the Company's profitable business segments. The Reorganized Debtors will be well positioned to compete in the retail industry with the segments of the Company best primed to do so.

C. PLAN OVERVIEW

1. Purpose and Effect of the Plan

The Debtors are reorganizing under chapter 11 of the Bankruptcy Code. Under chapter 11 of the Bankruptcy Code, a debtor may reorganize its business for the benefit of its stakeholders. The consummation of a plan of reorganization is the principal objective of a chapter 11 case. A plan of reorganization sets forth how a debtor will treat claims and equity interests.

A bankruptcy court's confirmation of a plan of reorganization binds the debtor, any entity or person acquiring property under the plan, any creditor of or equity security holder in a debtor, and any other entities and persons to the extent ordered by the bankruptcy court pursuant to the terms of the confirmed plan, whether or not such entity or person is impaired pursuant to the plan, has voted to accept the plan, or receives or retains any property under the plan.

Each of the Debtors is a proponent of the Plan within the meaning of section 1129 of the Bankruptcy Code. The Plan does not contemplate the substantive consolidation of the Estates. Instead, the Plan, although proposed jointly, constitutes a separate plan for each of the Debtors in these Chapter 11 Cases. Holders of Allowed Claims against each of the Debtors will receive the same recovery provided to other Holders of Allowed Claims in the applicable Class and will be entitled to their share of assets available for distribution to such Class.

The feasibility of the Plan is premised upon, among other things, the Debtors' ability to achieve the goals of their long-range business plan, make the distributions contemplated under the Plan and pay certain continuing obligations in the ordinary course of the Reorganized Debtors' business. The Reorganized Debtors' financial projections are set forth on Exhibit D.⁵ Although the Debtors believe the projections are reasonable and appropriate, they include a number of assumptions and are subject to a number of risk factors and to significant uncertainty. Actual results may differ from the projections, and the differences may be material.

2. Financial Restructurings Under the Plan

As of the Petition Date, the Debtors' capital structure included approximately \$470 million in aggregate principal amount of outstanding debt, primarily consisting of: (a) approximately \$156.7 million in aggregate principal amount revolving loans and FILO loans under the Prepetition ABL Credit Facility (as defined below) as well as approximately \$36 million of undrawn letters of credit outstanding under the Prepetition ABL Credit Facility (the "Standby Letters of Credit"); and (b) approximately \$277.2 million in secured debt under a term loan credit agreement (the "Term Loan Facility").

If the Plan is confirmed, Payless (as defined herein) will emerge from these Chapter 11 Cases with approximately 86% less funded debt. Payless' pro forma exit capital structure will consist of a New First Lien Facility and New Second Lien Facility, and New Common Units in Reorganized Holdings, as set forth below (in millions):⁶

Specifically, the Plan contemplates the following restructuring transactions:

- New First Lien Facility and New Second Lien Facility.
- Each Holder of a Tranche A-1 Term Loan Secured Claim will receive its pro rata share of \$68,800,000 in Cash.

⁵ The Debtors' business plan and projections also incorporate forecasts of operating performance for the foreign franchise and joint venture businesses that relate to entities that are not Debtors in these Chapter 11 Cases.

⁶ The Debtors will also assume some existing capital leases and similar obligations.

- Each Holder of a Tranche A-2 Term Loan Secured Claim will receive its Pro Rata share of 100% of New Common Units, unless such Holder exercises the Cash Election.
- Each Holder of a General Unsecured Claim will receive its Pro Rata share of the Liquidating Trust Distributable Assets.
- All Equity Interests in Payless Holdings LLC will be extinguished with no consideration paid.

3. Recovery Analysis

In developing the Plan, the Debtors gave due consideration to various alternatives and engaged in significant discussions with representatives and/or professionals of the Creditors' Committee and the senior secured lenders under their prepetition term loans, certain of whom the Debtors believe will be the primary economic stakeholders in the Reorganized Debtors. With the assistance of their professional advisors, the Debtors also conducted a careful review of their current operations, prospects as an ongoing business, financial projections, and the go-forward business plan developed by management. Based on this analysis, the Debtors concluded that recoveries to the Debtors' stakeholders will be maximized by reorganization as two businesses: (i) an IPCo, which will license the Payless brand and related intellectual property, manage source for and expand the Company's existing Amazon channel and provide sourcing for the LatAm Business;⁷ and (ii) the LatAm Business, which will continue to be majority owned by IPCo and will continue to operate retail operations in Latin America and South America.

During the Chapter 11 Cases and as described herein, the Debtors and their advisors, at the direction of the Special Committee and as outlined further below, facilitated discussions among, and negotiated with, the Creditors' Committee and the Debtors' secured creditor constituencies and their respective advisors, regarding a potential global settlement of any and all Claims, including any Causes of Action or potential Causes of Action related to the Debtors' business and capital structure. The parties recognized that absent a global settlement among stakeholders, litigating confirmation, including litigating who has standing to pursue Causes of Action and the actual pursuit of such claims, the Debtors' Plan confirmation timeline could be derailed, which would lead to increased expenses and a possible liquidation. Accordingly, as a result of the global settlement, unsecured creditors will receive up to \$15 million and stand to benefit from the Debtors' ability to consummate the Plan and continue certain businesses as a going concern. **Accordingly, the Debtors believe, as supported by the analysis underlying the estimate of the Debtors' enterprise value set forth in Exhibit F that the Plan is in the best interest of all creditors.**

The Debtors also believe that any alternative to Confirmation of the Plan, such as an attempt by another party to file a competing plan or any plan that does not contemplate a global settlement of all potential claims related to, among others, the Debtors' business, capital structure, and Claims, would result in significant delays, litigation, and additional costs, could negatively affect value by causing unnecessary uncertainty with the Debtors' key customer and supplier constituencies, and could potentially lead to a liquidation by the Debtors, in which case substantially all Holders of Claims would do materially worse or receive no recovery at all. In the event that the parties are unable to reach a consensus for global settlement among all constituencies, the Debtors reserve the right to pursue any and all Causes of Action.

ACCORDINGLY, FOR ALL OF THESE AND THE OTHER REASONS DESCRIBED HEREIN, THE DEBTORS AND THE CREDITORS' COMMITTEE URGE YOU TO TIMELY RETURN YOUR BALLOT ACCEPTING THE PLAN.

D. TREATMENT OF CLAIMS AND INTERESTS UNDER THE PLAN

The table below summarizes the classification and treatment of Claims and Interests under the Plan. These summaries are qualified in their entirety by reference to the provisions of the Plan. For a more detailed description of the treatment of Claims and Interests under the Plan, see Section IV.B hereof.

⁷ Pursuant to the Plan, "LatAm Business" means the business operations of the LatAm JV entities as coordinated by Payless ShoeSource Worldwide, Inc. through Collective Brands Cooperatief U.A. and the LatAm JV Partners.

The table below also sets forth the estimated percentage recovery for Holders of Claims and Interests in each Class and the Debtors' estimates of the amount of Claims that will ultimately become Allowed in each Class based upon (a) review by the Debtors of their books and records, (b) all Claims scheduled by the Debtors (as modified by the Bankruptcy Court through certain hearings), and (c) consideration of the provisions of the Plan that affect the allowance of certain Claims.

The estimated aggregate Claim amounts in each Class and the estimated percentage recoveries in the table below are set forth for the Debtors on a consolidated basis.

**THE ESTIMATED PROJECTED RECOVERIES SET FORTH IN THE TABLE
BELOW ARE ESTIMATES ONLY AND ARE THEREFORE SUBJECT TO CHANGE.**

SUMMARY OF CLAIMS AND INTERESTS AND ESTIMATED RECOVERIES

<u>Class</u>	<u>Claim/Equity Interest</u>	<u>Status</u>	<u>Estimated Amount of Allowed Claims⁸</u>	<u>Estimated Percent Recovery Under the Plan⁹</u>
1	Other Priority Claims	Unimpaired	\$7,862,547	100%
2	Other Secured Claims	Unimpaired	\$22,452,700 ¹⁰	100%
3	Tranche A-1 Term Loan Secured Claims	Impaired	\$80,891,280.62	85.1% ¹¹
4	Tranche A-2 Term Loan Secured Claims	Impaired	\$202,602,201.56	65.2% ¹²
5A	General Unsecured Claims of Payless ShoeSource Worldwide, Inc. and Collective Brands Logistics Limited	Impaired	\$176,000,000 ¹³	4.8%
5B	General Unsecured Claims of Remaining Debtors	Impaired	\$140,000,000 ¹⁴	3.6%
6	Intercompany Claims	Impaired	-	N/A
7	Existing Equity Interests in Payless	Impaired	N/A	N/A
8	Intercompany Interests	Impaired	N/A	N/A

⁸ All dollar amounts in millions.

⁹ Recoveries are based on the estimated midpoint enterprise value and do not take into account dilution caused by the Management Equity Incentive Plan.

¹⁰ Most of the Other Secured Claims are collateralized by letters of credit or cash deposits.

¹¹ The estimated amount of the Tranche A-1 Term Loan Claim and the percentage listed herein is based on the full amount of the debt and not just the secured claim.

¹² The estimated amount of the Tranche A-2 Term Loan Claim and the percentage listed herein is based on the full amount of the debt and not just the secured claim. Further, the recovery percentage is based on the enterprise value as set forth in Exhibit F.

¹³ Class 3 and Class 4 are entitled to vote on behalf of their Tranche A-1 Term Loan Deficiency Claims and Tranche A-2 Term Loan Deficiency Claims, however Class 3 and Class 4 have waived distributions on account of deficiency claims and this amount does not include unsecured deficiency claims asserted by the Holders of Tranche A-1 Term Loan Secured Claims, Tranche A-2 Term Loan Secured Claims or Claims against the Canadian Debtors.

¹⁴ Class 3 and Class 4 are entitled to vote on behalf of their Tranche A-1 Term Loan Deficiency Claims and Tranche A-2 Term Loan Deficiency Claims, however Class 3 and Class 4 have waived distributions on account of deficiency claims and this amount does not include unsecured deficiency claims asserted by the Holders of Tranche A-1 Term Loan Secured Claims, Tranche A-2 Term Loan Secured Claims or Claims against the Canadian Debtors.

E. PLAN TIMELINE AND RELATED CONTINGENCIES

Although the Debtors believe that the restructuring proposed in the Plan is the best option for maximizing stakeholder recoveries, the effectiveness of the Plan is subject to a number of conditions and there are certain material risks to the Debtors' ability to implement the Plan and consummate near-term creditor distributions. The Plan will be consummated on the Effective Date so long as certain conditions precedent are satisfied or waived in accordance with Article VIII of the Plan, including:

- The Plan must be, in form and substance, reasonably acceptable to the Debtors and the Requisite Lender Plan Support Parties.
- The Plan Supplement documents must be, in form and substance, reasonably acceptable to the Debtors and the Requisite Lender Plan Support Parties.
- The proposed form of order confirming the Plan shall be, in form and substance, reasonably acceptable to the Debtors and the Requisite Lender Plan Support Parties.

In addition, the Plan is subject to certain contingencies and risk factors, which are set forth in Article VIII hereof.

II.

BACKGROUND TO THESE RESTRUCTURING PROCEEDINGS

A. CORPORATE HISTORY AND CURRENT STRUCTURE

Founded in 1956, Payless Holdings LLC is the parent company for each other Debtor in these Chapter 11 Cases and certain direct and indirect Affiliates which are not debtors in these Chapter 11 Cases (collectively, the “Company” or “Payless”). Payless is an iconic footwear retailer selling quality shoes at affordable prices in a self-select environment. As of the Petition Date, Payless had nearly 3,400 stores in more than 40 countries across the world and was a globally-recognized brand. As of the Petition Date, Payless operated through its three business segments (North America, Latin America, and franchised stores).

Historically, Payless offered its budget-conscious customers outstanding value on basic, on-trend and special occasion footwear through a national assisted-service store footprint, localized assortment, and a low-cost integrated-sourcing business model, including a significant online presence. This business model depended upon (a) identifying and developing on-trend merchandise, (b) developing strong relationships with branding partners, and (c) maintaining an overseas sourcing network that could develop and produce products at a scale and cost necessary to serve Payless’ customers.

Payless historically had a strong seasonal cadence, as evidenced by its four key selling seasons: Easter, sandals, back-to-school, and Holiday. Because these periods fall relatively evenly throughout the course of the year, Payless’ selling periods create a broad, even flow of business throughout the year, even though the composition of the business varies widely depending on the time of the year. This has served over many years to create a largely continuous overall flow of product from overseas suppliers through Payless’ supply chain to customers.

Like many retailers, in the last five years the Debtors have faced challenging market conditions. As outlined in further detail below, these challenges, among others, led to the commencement of chapter 11 cases (the “Prior Cases”) by the Debtors’ and the Canadian Debtors’ predecessors in interest (the “Prior Debtors”) in this Court, which were jointly administered under the caption *In re Payless Holdings LLC*, No. 17-42667.

B. PREPETITION BUSINESSES AND OPERATIONS

The Debtors’ operations were historically extensive and spanned across Asia, Africa, the Middle East, Latin America, Europe, and the United States.

1. North America

Historically, Payless’ North American business represented a majority of the Debtors’ store base. As of the Petition Date, the North America business included more than 2,500 wholly-owned stores in the United States, Puerto Rico, and Canada.

Due to the industry-wide shift away from brick-and-mortar stores, the North America business (brick and mortar and e-commerce businesses) experienced a precipitous decline in EBITDA, with 2018 EBITDA totaling negative \$63 million and 2017 EBITDA totaling negative \$4 million. Payless North America also provides an extensive range of operational and corporate services to the Latin America and franchise business segments, including product development and sourcing, retail operations, marketing, IT, finance, tax, and legal assistance. In connection with the GOB Sales (as defined below) for the North America business, the Debtors are in the process of strategically transitioning certain of the operational and corporate services that Payless North America currently provides to the Latin America and franchise segments.

Prior to the Petition Date, the Company and its advisors analyzed the Company’s capital structure and potential alternatives, including the impact of reducing the store footprint in North America to various levels depending on store profitability. This analysis showed that achieving any profitable North America store base would require meaningful improvements in merchandizing margin, stabilized comparable store sales, and significant capital investment. As a result, the Company determined to prepare for an orderly wind down of the North America business through the store closing sales (the “GOB Sales”), as described in further detail below.

2. Latin America

Nineteen years after opening its first store in Latin America, Payless has become the largest specialty footwear retailer in the region. Payless Latin America has experienced stable growth since its inception, opening over 20 new stores per year on average and generating 5% annual revenue growth since 2013. It is also highly profitable, generating consolidated EBITDA of \$39.4 million in 2018, and contributing EBITDA of \$23.3 million towards Payless' overall profitability despite accounting for only 16% of Payless' store footprint in 2018. Payless currently operates approximately 420 stores in Latin America and enjoys leadership positions in each relevant market. For Fiscal Year 2018, Payless Latin America generated net sales of \$368.1 million with a gross margin of \$104.0 million. For Year to Date 2019 through July 2019, it generated \$154.4 million in net sales with a gross margin of \$42.4 million.

Many of Payless' Latin America operations are governed by joint venture agreements and related ancillary agreements, pursuant to which Payless receives certain sourcing and other corporate fees, as well as dividends, on a periodic basis, in exchange for use of the Debtors' intellectual property, sourcing, operational management and information technology. In exchange, the joint venture agreements have allowed Payless to utilize its partners' significant local market knowledge to buy, plan, and distribute their products. The Latin America business continues to perform well notwithstanding the challenges that faced the North America brick and mortar business.

3. Franchised Store Segment

Finally, Payless' franchise segment consists of stores operated by franchisees in several countries in Africa, Asia, and the Middle East. Since opening their first franchise stores in 2009, the Debtors' franchise business has grown to over 350 stores. The franchise stores are held to the same high standards as the Company's wholly-owned and joint venture stores and provide a similar customer experience. The Company receives royalty fees, which typically range from 6% to 8% of the franchisee's net revenue, pursuant to applicable franchise agreements. The franchise business requires minimal upfront risk, capital requirements, and overhead expenses, as it has historically leveraged the existing North America operations and sourcing capabilities to support the business segment.

4. Procurement and Global Supply Chain

Payless depends heavily on its supply chain and has unique relationships with its vendors, primarily based out of China and Vietnam. The Company has developed long-standing relationships (in some cases extending over 15 years) and highly streamlined processes with key supplier factories. Coordination across factories, distributors, shippers, carriers, warehousemen and stores is vital to the ability of the Company's remaining business segments to operate. The Company has worked tirelessly during these Chapter 11 Cases to preserve relationships and, thereby, the global supply chain in order to preserve the ability of the Debtors' Latin American and franchise business segments to operate.

C. PREPETITION ORGANIZATIONAL STRUCTURE, CAPITALIZATION, AND INDEBTEDNESS

Payless was first traded publicly in 1962, and was taken private in May 2012. As set forth in the structure chart attached hereto as **Exhibit B**, Payless Holdings LLC currently owns, directly or indirectly, each other Debtor.

1. Prepetition Capital Structure and Indebtedness

As of the Petition Date, Payless' prepetition capital structure included approximately \$470 million in aggregate principal amount of outstanding debt as of the Petition Date, primarily consisting of: (a) approximately \$156.7 million in aggregate principal amount revolving loans and FILO loans under the Prepetition ABL Credit Facility (as defined below) as well as approximately \$36 million through the Standby Letters of Credit; and (b) approximately \$277.2 million in secured debt under the Term Loan Facility. Certain non-debtor affiliates or subsidiaries included in the capital structure have additional outstanding indebtedness, including: (x) Payless CA Management Limited, which owes approximately \$45.4 million in aggregate principal amount of secured debt outstanding under a first lien term loan (the "CA Credit Agreement"); (y) Payless ShoeSource of Trinidad Unlimited, which owes approximately \$900,000 in aggregate principal amount pursuant to a demand loan (the "Trinidad Demand Loan"); and (z) Payless ShoeSource Ecuador Cia. Ltda., which owes approximately \$5.7 million in aggregate principal amount pursuant to a credit agreement (the "Ecuador Loan").

(a) The Prepetition ABL Credit Facility

As of the Petition Date, Payless Inc., Payless Finance, Inc., Payless ShoeSource, Inc. and Payless ShoeSource Distribution, Inc., as borrowers, the other Original Debtors party thereto as guarantors, Wells Fargo Bank, National Association (“Wells Fargo”), as collateral agent and administrative agent, Wells Fargo as FILO agent, and the lenders party thereto from time to time were parties to that certain Credit Agreement (the “Prepetition ABL Credit Facility Lenders”), dated as of August 10, 2017 (as amended, restated, modified, and/or supplemented and as in effect immediately prior to the Petition Date, the “Prepetition ABL Credit Facility”). The Prepetition ABL Credit Facility provided for (x) a senior secured revolving credit facility, with a maximum availability of \$250 million, subject to borrowing base limitations and (y) a \$35 million FILO loan. The Prepetition ABL Credit Facility was secured by a first priority lien over certain of the Debtors’ assets including, among other things and subject to certain limitations, accounts, cash, inventory, and real property (such collateral package, the “ABL Priority Collateral”). The Prepetition ABL Credit Facility was also secured by a junior lien on the remaining assets of the Debtors including, among other things and subject to certain limitations, equipment and intellectual property (such collateral package, the “Term Priority Collateral”). As of the Petition Date, an aggregate balance of approximately \$156.7 million remained outstanding under the Prepetition ABL Credit Facility as well as approximately \$36 million in Standby Letters of Credit. The Prepetition ABL Credit Facility was paid off on April 10, 2019.

(b) The Term Loan

Payless Inc., Payless Finance, Inc., Payless ShoeSource, Inc., and Payless ShoeSource Distribution, Inc., as borrowers, the other Original Debtors party thereto as guarantors, Cortland Products Corp., as administrative and collateral agent, and the lenders party thereto from time to time are parties to that certain Term Loan and Guarantee Agreement, dated as of August 10, 2017 (as amended, restated, modified, and/or supplemented and as in effect immediately prior to the Petition Date, the “Term Loan Agreement”). The Term Loan Agreement originally provided for \$280 million of term loans secured by a first priority lien on the Term Priority Collateral and a second priority lien on the ABL Priority Collateral. The Term Loan Agreement is comprised of two tranches: Tranche A-1 in an original principal amount of \$80 million and Tranche A-2 in an original principal amount of \$200 million, which bear interest at different rates and mature on different dates. Tranche A-1 bears interest at LIBOR (as defined in the Term Loan Agreement) plus 8.00% per annum and matures on February 10, 2022 and Tranche A-2 bears interest at LIBOR (as defined in the Term Loan Agreement) plus 9.00% per annum and matures on August 10, 2022. An aggregate principal amount of \$277.2 million was outstanding as of the Petition Date under the Term Loan Facility.

(c) Intercreditor Agreements

The Debtors’ prepetition indebtedness under the Prepetition ABL Credit Facility and the Term Loan Agreement was also subject to an intercreditor agreement, generally referred to as the ABL/Term Loan Intercreditor Agreement.¹⁵ The ABL/Term Loan Intercreditor Agreement governed the relative contractual rights of lenders under the Prepetition ABL Credit Facility and the Term Loan Facility.

(d) Unsecured Claims

As of the Petition Date, the Debtors estimated that they owed approximately \$225 million to unsecured creditors, consisting primarily of amounts owed to vendors and suppliers. Additional unsecured claims have been filed for, among other things, rejection of executory contracts and unexpired leases.

D. EVENTS LEADING UP TO THE CHAPTER 11 FILING

1. The Prior Cases

On April 4, 2017, the Prior Debtors commenced the Prior Cases in this Court. All of the Prior Cases closed before the Petition Date except for the Prior Cases of Payless Holdings LLC (Case No. 17-42267) and Payless

¹⁵ The “ABL/Term Loan Intercreditor Agreement” means that certain intercreditor agreement dated as of August 10, 2017 (as amended, supplemented, restated, amended and restated or otherwise modified from time to time) by and among Wells Fargo Bank, National Association, as administrative agent for the lenders under the Prepetition ABL Credit Agreement and Cortland Products Corp., the administrative agent and collateral agent under the Term Loan, and acknowledged by the Original Debtors.

ShoeSource Worldwide Inc. (Case No. 17-42288). As of the Petition Date, the Prior Cases were limited to final claims reconciliation and the administration of distributions to unsecured creditors.

Beginning in early 2015, the Prior Debtors experienced a top-line sales decline driven primarily by (a) a set of significant and detrimental non-recurring events, (b) foreign exchange rate volatility, and (c) challenging retail market conditions. These pressures led to the Prior Debtors' inability to both service their prepetition secured indebtedness and remain current with their trade obligations. Industry-wide declines in sales and traffic during 2015 and 2016 compounded these challenges. The Prior Debtors' weaker-than-anticipated financial performance forced management to curtail certain capital and marketing investments required to combat the broader challenges facing the retail industry. To address these challenges, the Prior Debtors took steps to evaluate and implement cost-reduction initiatives.

In early 2017 (prior to the commencement of the Prior Cases), the Prior Debtors negotiated a restructuring support agreement with the support of a majority of their prepetition secured lenders. On July 27, 2017, the Court confirmed the *Debtors' Fifth Amended Plan of Reorganization*, No. 17-42267 [Docket No. 1507] (Bankr. E.D. Mo. 2017) (as supplemented, the "Prior Plan") and on July 28, 2017, the Canadian Court granted an order recognizing and enforcing the Prior Plan in Canada. The Prior Plan effective date occurred on August 10, 2017.

The Prior Cases accomplished three main objectives: (a) approximately \$435 million in funded debt was eliminated; (b) approximately 675 underperforming brick and mortar stores were closed and liquidated; and (c) approximately \$50 million in annual expenditure savings was realized through landlord concessions and modification of existing leases.

2. Challenges Subsequent to the 2017 Plan Effective Date

Upon emergence from the Prior Cases, the Debtors sought to capitalize on the deleveraging of their balance sheet with additional cost-reduction measures, including reviewing marketing expenses, downsizing their corporate office, reevaluating the budget for every department, and reducing their capital expenditures plan. Notwithstanding these measures, the Debtors have continued to experience a top-line sales decline driven primarily by inventory flow disruption during the 2017 holiday season, same store sales declines resulting in excess inventory, and challenging retail market conditions.

In the year following the Prior Debtors' emergence from chapter 11, the Debtors faced unanticipated delays from key supplier factories. Given the significant volume of made-to-order shoes, the Debtors depended heavily on receiving regular shipments of product from their existing vendors. Due to interruptions in production during the Prior Cases, the Debtors' key supplier factories took longer than expected to procure the raw materials and workers required for the Debtors to deliver their products in a timely manner. The delayed production caused a major inventory flow disruption during the 2017 holiday season and a computer systems breakdown in the summer of 2018 significantly affected the back to school season, leading to diminished sales and same store sales declines.

The Debtors also faced an oversupply of inventory in the fall of 2018 leading into the winter of 2019. As a result, the Debtors were forced to sell merchandise at steep markdowns, which depressed margins and drained liquidity. Customers filled their closets with these deeply discounted products, which served to reduce customer demand for new product. In total, millions of pairs of shoes were sold at below market prices in order to realign inventory and product mix. These challenges, and the general trend toward online shopping, contributed to a decline in EBITDA for Payless' North America brick and mortar stores for 2018 at negative \$66 million compared to negative \$11 million in 2017 and \$51 million in 2016.

Moreover, Payless was unable to fulfill its plan for omni-channel development and implementation, *i.e.*, the integration of physical store presence with online digital presence to create a seamless, fully integrated shopping experience for customers. As of the Petition Date, the completion of this unified customer experience had been limited to approximately two hundred stores. Without a robust omni-channel offering, Payless was unable to keep up with the shift in customer demand and preference for online shopping versus the traditional brick-and-mortar environment. In addition, the Debtors' liquidity constraints prevented the Debtors from investing in their store portfolio to open, relocate, or remodel targeted stores to keep up with competitors. All of the foregoing pressures prevented the Payless North America business from achieving profitability in eighteen months pre-petition.

3. Efforts to Address Liquidity Challenges

The Original Debtors negotiated with their prepetition lenders for additional credit under their existing Prepetition ABL Credit Facility and the strategic infusion of capital through a debt offering to lenders under their Term Loan Facility to build liquidity reserves in light of mounting operational issues. In March 2018, the Debtors executed that certain First Amendment and Joinder to Credit Agreement dated as of March 1, 2018, which among other things increased the aggregate FILO commitment under the Prepetition ABL Credit Facility from \$10 million to \$35 million (the “ABL Amendment”).

Subsequently, in August 2018, Payless began to explore potential transaction structures that would enable it to obtain capital, manage their vendor issues, and right size their balance sheet. Initially, the Debtors pursued an equity offering open to all of the current equity holders of Payless. Due to the Company’s declining financial performance, none of the equity holders participated in the equity offering. As such, the Debtors sought to develop an alternative transaction structure including a combined equity-debt offering. Alden, which holds approximately 66.5% of the total outstanding equity of Payless, agreed to explore alternative financing options with the Company. On October 2, 2018, Alden provided an approximately \$45.5 million delayed draw term loan to non-debtor affiliate, Payless CA Management Limited, which was offered to all Term Loan lenders pursuant to the terms of the Term Loan Facility. All of the Term Loan lenders declined to participate in the transaction, except for Alden. The funds from this loan, which were ultimately upstreamed to fund ordinary-course business operations of the Debtors and their subsidiaries, provided a much-needed injection of capital.

After emerging from the Prior Cases, the Debtors also engaged in employee reduction measures in light of their financial performance and operational needs. In the fall of 2017, the Debtors reduced their headquarters staff by approximately 170 employees located at the Debtors’ corporate headquarters in Topeka. In the winter of 2018, the Debtors terminated an additional 49 employees in field organization positions. Between August 2018 and the Petition Date, the Debtors eliminated approximately 37 employees in their finance department and almost 50 employees in their merchandising and design department. Finally, the Debtors eliminated 65 store leaders and 10 group leaders in certain of their retail locations.

In October 2018, the Debtors also explored opportunities to sell their corporate headquarters located at 3231 S.E. 6th Avenue, Topeka, Kansas. Following an auction, the Debtors agreed on terms with a proposed buyer and, on December 27, 2018, entered into purchase and sale agreement to sell the headquarters for approximately \$2 million. The purchase and sale agreement provided the Debtors with a leaseback on a portion of the building, including their data center, dock area, and limited office space, with extensions as needed as the Debtors wind down their North America business. The sale closed on February 14, 2019 after the requisite consents and releases from the Debtors’ lenders were obtained.

4. Exploration of Strategic Alternatives and Restructuring Initiatives

Notwithstanding the measures taken above, Payless was unable to return to profitability. While the Latin America and franchise businesses continued to perform well, the Debtors’ North America brick and mortar business suffered from same store sales declines and declining store productivity. As a result, in December 2018, the Company engaged PJ Solomon, L.P. (“Solomon”), as investment banker to perform a review of the go forward business plan and explore strategic alternatives. The Company also engaged Ankura Consulting Group, LLC (“Ankura”) as financial advisor. Solomon and Ankura worked together with Akin Gump Strauss Hauer & Feld LLP (“Akin Gump”), to develop a restructuring strategy for the Company’s businesses.

The Company and its advisors analyzed the Company’s capital structure and potential alternatives, including the impact of reducing the store footprint in North America to various levels depending on store profitability. The analysis showed that achieving any profitable North America store base would require meaningful improvements in merchandizing margin, stabilized comparable store sales, and significant capital investment. The Company’s efforts shifted to preparing for an orderly wind down of the North America business.

5. Appointment of Independent Managers

In January 2019, to ensure a thorough and fair process with respect to the Debtors’ review of their strategic alternatives, the board of managers of Payless Holdings LLC (the “Board”) appointed Patrick Bartels and Scott

Vogel to the Board as disinterested managers (the “Independent Managers”).¹⁶ Both of the Independent Managers have extensive experience serving on boards in distressed situations. The Independent Managers were delegated the exclusive power and authority of the Board to conduct a full and complete review and analysis of all transactions entered into by the Debtors (including their subsidiaries and affiliates), on the one hand, and Alden and its affiliates, on the other and any other matters delegated to the Independent Managers by the Board. The Independent Managers subsequently retained Seward & Kissel LLP (“S&K”) as independent counsel to assist the Independent Managers in their review. As set forth below, in connection with the *Order With Respect to the Retention and Appointment of Akin Gump Strauss Hauer & Feld and Seward & Kissel as Counsel to the Debtors Settling Application to Employ* (the “Akin and S&K Retention Order”) [Docket No. 983] a special committee of the Board of Managers comprised solely of the Independent Managers (the “Special Committee”) was appointed and a negotiated and filed protocol was implemented for the investigation of insider transactions, review and handling of transactions involving insiders and information sharing. This is all set forth in further detail below at Article III.C.7. Following the entry of the Akin and S&K Retention Order, the Special Committee retained FTI Consulting, Inc. (“FTI”) as its financial advisor.

¹⁶ Following their initial term, the Independent Managers were elected to serve as members of the Board pursuant to the written consent of the majority of the outstanding Class A shares of Payless Holdings LLC, dated February 11, 2019.

III.

ADMINISTRATION OF THE RESTRUCTURING PROCEEDINGS

A. OVERVIEW OF THE CROSS BORDER RESTRUCTURING PROCEEDINGS

1. Overview of Chapter 11

Chapter 11 is the principal business reorganization chapter of the Bankruptcy Code. In addition to permitting debtor rehabilitation, chapter 11 promotes equality of treatment for similarly situated holders of claims and interests, subject to the priority of distributions prescribed by the Bankruptcy Code. Commencement of a chapter 11 case creates an estate that is comprised of all of the legal and equitable interests of the debtor as of the filing of a chapter 11 petition.

The Bankruptcy Code provides that the debtor may continue to operate its business and remain in possession of its property as a “debtor in possession.” The consummation of a plan is the principal objective of a chapter 11 case. A plan sets forth the means for satisfying claims against and interests in a debtor. Confirmation of a plan by the Bankruptcy Court makes the plan binding upon the debtor, any entity acquiring property under the plan, any holder of a claim against or interest in a debtor and all other entities as may be ordered by the Bankruptcy Court in accordance with the applicable provisions of the Bankruptcy Code. The order approving confirmation of a plan prohibits creditors and equity holders of a debtor from seeking to pursue claims and interests against or in a debtor except as provided for in the confirmed plan.

Pursuant to section 1125 of the Bankruptcy Code, acceptance or rejection of a plan may not be solicited after the commencement of a chapter 11 case until such time as a bankruptcy court has approved a disclosure statement as containing adequate information. Pursuant to section 1125(a) of the Bankruptcy Code, “adequate information” is information of a kind, and in sufficient detail, to enable a hypothetical reasonable investor to make an informed judgment regarding the plan. The Debtors are submitting this Disclosure Statement in satisfaction of the applicable disclosure requirements under section 1125 of the Bankruptcy Code.

2. Overview of CCAA

The CCAA is a federal statute of Canada that allows a company facing financial trouble, or a group of affiliated companies, the opportunity to restructure their affairs. By allowing the company to restructure its financial affairs through a plan of compromise or arrangement, the CCAA provides the company with an opportunity to avoid bankruptcy and settle with its creditors.

The CCAA process begins with an application to the Canadian Court by the company requesting protection under the CCAA. The Canadian Court may grant an order ordering a stay of proceedings, which provides the company with a period of time to restructure its affairs (the “Stay of Proceedings”). The Canadian Court may extend the Stay of Proceedings upon the company’s application to the Canadian Court. Typically, the Canadian Court will extend the Stay of Proceedings if it considers it appropriate in the circumstances and if the company can demonstrate that it is acting in good faith and is diligently pursuing its restructuring efforts. During the Stay of Proceedings, the company will often continue operating in the ordinary course in addition to its restructuring activities.

A monitor is an independent and impartial third party appointed by the Canadian Court to monitor the company’s ongoing operations and report to the Canadian Court on the restructuring process and developments. The monitor’s duties are set out in an order granted by the Canadian Court. The monitor must report to the Canadian Court and stakeholders, the company’s activities and financial affairs, certain significant restructuring initiatives and assist the company in its restructuring efforts and preparation of a plan of compromise or arrangement.

The CCAA provides that with the approval of the Canadian Court, a debtor company may propose a plan of compromise or arrangement to its creditors and in some cases, its shareholders. For the plan to be effective, a majority of the creditors in each class by number and with 2/3 of by dollar value (in each case, determined by stakeholders actually voting), must approve the plan. If the debtor company’s stakeholders vote in favor of the plan, the company will present the plan to the Canadian Court in what is known as a “sanction hearing.” If a plan is

sanctioned by the Canadian Court, the debtor company may implement the plan and undertake the transactions set out therein.

3. Cross Border Implications

The Restructuring Proceedings involve both Canadian and U.S. Debtors. Stays were sought and obtained under the Bankruptcy Code and the CCAA. There was a protocol approved given the cross-border nature of the Restructuring Proceedings (the "Cross-Border Protocol") and there were and are stakeholders in Canada, the U.S. and elsewhere. The proceedings under Chapter 11 and those under the CCAA are intended to be coordinated to the fullest possible extent.

As noted in further detail below, the Canadian Debtors are not plan proponents under the Plan. The Canadian Debtors intend to file a motion for dismissal of the Canadian Debtors' Chapter 11 Cases to be effective upon implementation of the Plan and intend to separately bring forward a motion in the Canadian Court for approval of a plan of compromise or arrangement under the CCAA.

B. FIRST AND SECOND DAY RELIEF

On or around the Petition Date, in addition to filing voluntary petitions for relief, the Debtors also filed a number of motions (the "First Day Motions") with the Bankruptcy Court seeking relief designed to, among other things, prevent interruptions to the Debtors' business, ease the strain on the Debtors' relationships with certain essential constituents, including employees, vendors, customers and utility providers, provide access to much needed working capital, and allow the Debtors to retain certain advisors to assist them with the administration of the Chapter 11 Cases. At the first day hearing conducted on February 19, 2019 and in the days that followed, the Bankruptcy Court entered several orders approving the First Day Motions. An additional hearing was held on March 14, 2019 at which the Bankruptcy Court considered the approval of the First Day Motions on a final basis and certain additional relief requested by the Debtors.

On the Filing Date, the Canadian Debtors obtained the Initial Order, which granted an initial stay of proceedings in favor of the Canadian Debtors until and including March 21, 2019 (the "Stay Period") and appointed FTI Consulting Canada Inc. as monitor in the CCAA proceedings. The Stay Period has been extended twice, most recently to September 20, 2019, and is subject to further extension. The Initial Order also granted relief similar to the relief requested in a number of the First Day Motions.

1. Procedural Motions

To facilitate a smooth and efficient administration of these Chapter 11 Cases, the Bankruptcy Court entered certain "procedural" orders, by which the Bankruptcy Court (a) approved the joint administration of the Debtors' Chapter 11 Cases; (b) scheduled an expedited first day hearing; (c) granted leave to exceed the page limitation in the Debtors' First Day Motions; (d) authorized the Debtors to prepare a list of creditors and file a consolidated list of their 50 largest unsecured creditors; (e) approved an extension of time to file their Schedules; and (f) approved certain procedures for the rejection and assumption of contracts and leases.

2. Stabilizing Operations

Recognizing that any interruption of the Debtors' business, even for a brief period of time, would negatively impact their operations, customer relationships, and GOB Sales, the Debtors sought and obtained orders authorizing them to:

- pay prepetition wages, salaries and other compensation, reimbursable employee expenses, and employee medical and similar benefits [Docket No. 627];
- determine adequate assurance for future utility service and establish procedures for utility providers to object to such assurance [Docket No. 582];
- continue insurance coverage, including performance under their self-insurance programs, and enter into new insurance policies, if necessary [Docket No. 583];

- continue and renew their surety bond program [Docket No. 601];
- establish procedures for certain transfers and declarations of worthlessness with respect to common stock [Docket No 782];
- begin the orderly liquidation of North American stores and set forth procedures for ongoing liquidation efforts [Docket No 619];
- maintain their existing cash management systems [Docket No. 783];
- continue their relationship with certain prepetition vendors in order to ensure the continuation of vital supply services during the aforementioned liquidation [Docket No. 600]; and
- remit and pay certain taxes and fees [Docket No. 584].

3. Postpetition Financing and Use of Cash Collateral

Following the First Day Hearing, the Court entered an interim order (i) authorizing use of cash collateral, (ii) granting adequate protection, and (iii) modifying the automatic stay (the “Interim Cash Collateral Order”) [Docket No. 138]. Specifically, the Interim Cash Collateral Order authorized the Debtors to use Cash Collateral (as defined in Section 363(a) of the Bankruptcy Code) on the terms described in the Interim Cash Collateral Order to administer the Chapter 11 Cases and fund their operations in accordance with a budget.¹⁷ The Court entered an order (the “Final Cash Collateral Order”) [Docket No. 795] granting the relief provided for in the Interim Cash Collateral Order on a final basis, subject to the terms and conditions of the Final Cash Collateral Order, on April 4, 2019.

On February 22, 2019 the Debtors filed the *Debtors’ Motion for Entry of Interim and Final Orders (i) Authorizing the Debtors to Obtain Postpetition Financing, (ii) granting Liens and Providing Superpriority Administrative Expense Status, (iii) Modifying the Automatic Stay, (iv) Scheduling a Final Hearing, and (v) Granting Related Relief* [Docket No. 216] (the “DIP Motion”). The Court granted the relief sought in the DIP Motion on an interim basis on February 25, 2019 (the “Interim DIP Order”) [Docket No. 265] and on a final basis on April 4, 2019 (the “Final DIP Order”) [Docket No. 797]. The relief granted in the Interim DIP Order and the Final DIP Order does not apply to the Canadian Debtors.

The Interim DIP Order and the Final DIP Order authorized the Debtors (other than the July Debtors) to obtain senior secured postpetition financing on a superpriority basis in the aggregate principal amount of \$25,390,710.66 (the “DIP Facility,” and the term loans thereunder, the “DIP Loans”). The DIP Facility and DIP Loans were subject to the terms and conditions of that certain Senior Secured Superpriority Priming Debtor-in-Possession Term Loan and Guarantee Agreement, dated as of March 24, 2019, by and among Payless Inc., as borrower, Payless Holdings LLC and certain of its subsidiaries party thereto, as guarantors, the financial institutions from time to time party thereto, as lenders, and Wilmington Savings Fund Society, FSB, as administrative agent and collateral agent (the “DIP Credit Agreement”). The Canadian Debtors were not borrowers or guarantors under the DIP Credit Agreement.

The DIP Facility consisted of (a) a \$17 million initial draw; (b) an additional \$4 million draw upon entry of the Interim DIP Order; and (c) an additional \$4 million draw upon entry of the Final DIP Order. The proceeds of the DIP Facility allowed the Debtors to administer these Chapter 11 Cases and fund their operations, including preserving critical vendor relationships and suppliers in order to preserve the Debtors’ Latin America and franchise businesses. The Debtors repaid the DIP Facility in full on May 3, 2019.

4. Employment and Compensation of Professionals

With authorization from the Bankruptcy Court, the Debtors retained the following professional advisors to assist the Debtors in carrying out their duties as debtors in possession and to represent their interests in the Chapter 11 Cases: (a) Akin Gump, as restructuring counsel [Docket No. 1115]; (b) Armstrong Teasdale LLP, as co-counsel [Docket No. 602]; (c) Solomon, as investment banker [Docket No. 606]; (d) Ankura, as restructuring advisor, which

¹⁷ A summary of which was attached to the Interim Cash Collateral Order.

provided the Debtors with a Chief Restructuring Officer (Stephen Marotta of Ankura) and a Restructuring Officer (Adrian Frankum of Ankura) [Docket No. 605]; (e) A&G Realty Partners, LLC as real estate advisor [Docket No. 628]; (f) Malfitano Advisors, LLC as asset disposition advisor and consultant [Docket No. 604]; (g) S&K, as counsel acting at the direction of the Independent Managers [Docket No. 1114]; (h) ReeveMark, LLC, as corporate communications consultants [Docket No. 603]; (i) Ernst & Young LLP as tax services provider; and (j) FTI, as financial advisor acting at the direction of the Independent Managers [Docket No. 1276].

The Debtors also sought and received approval of Prime Clerk LLC (“Prime Clerk”) as the Noticing and Claims Agent [Docket No. 572] and filed an application to retain Prime Clerk LLC as Solicitation and Administrative Agent for the Prior Cases [Docket No. 829].

Pursuant to the Cross Border Protocol approved by this Court and the Canadian Court, the Debtors’ Canadian Counsel, Cassels, Brock & Blackwell LLP, and Ankura, in its capacity as Chief Restructuring Organization of the Canadian Debtors, have been retained pursuant to the Canadian Court’s retention procedures.

C. OTHER MATERIAL EVENTS IN THESE CHAPTER 11 CASES

1. July Filing

As described above, on the Original Petition Date, the Original Debtors commenced the Original Chapter 11 Cases with the goal of maximizing value for all stakeholders by conducting an orderly wind-down of the North American brick and mortar business and pursuing a reorganization of the Latin America and franchise business segments. In connection with this strategy, the Original Debtors completed the GOB Sales on June 30, 2019 and shifted their attention to resizing and restructuring the Company’s operations to efficiently support the go-forward Latin America and franchise businesses. As a result, the Debtors commenced the July Chapter 11 cases in order to facilitate the reorganization efforts and to provide the creditors of the July Debtors with the opportunity to participate in the Chapter 11 Cases.

On the July Petition Date, the July Debtors filed certain motions, specifically: (a) the *Debtors’ Motion Seeking Entry of an Order (I) Directing Supplemental Joint Administration of Chapter 11 Cases and (II) Granting Related Relief* (the “July Debtors’ Joint Administration Motion”) [Docket No. 1304]; (b) the *Debtors’ Motion Pursuant to Section 105(a) of the Bankruptcy Code for an Order Directing that Certain Orders in the Chapter 11 Case of Payless Holdings LLC Be Made Applicable to the Debtors in Subsequently Filed Cases* (the “Deeming Motion”) [Docket No. 1306]; and (c) the *Debtors’ Motion for an Order Establishing Bar Dates for Filing Proofs of Claim and Approving Form and Manner of Notice Thereof Solely With Respect to the July Debtors* (the “July Debtors’ Bar Date Motion”) [Docket No. 1307], as well as the *Supplemental Declaration of Stephen Marotta in Support of Chapter 11 Petitions of July Debtors* [Docket No. 1305].

The July Debtors’ Joint Administration Motion requested that the Court enter an order directing the supplemental joint administration of the July Chapter 11 Cases with the Original Chapter 11 Cases. The Court granted the relief requested in the July Debtors’ Joint Administration Motion on July 19, 2019 [Docket No. 1363]. The Deeming Motion requested that the Court enter an order directing that the relief requested and granted pursuant to the First Day Motions apply to the July Chapter 11 Cases. The Court granted the relief requested in the Deeming Motion on July 19, 2019 [Docket No. 1364]. The July Debtors’ Bar Date Motion requested that the Court enter an order establishing certain bar dates for filing proofs of claim and approving the form and manner of notice thereof with respect to the July Debtors. The Court granted the relief requested in the July Debtors’ Bar Date Motion on July 19, 2019 [Docket No. 1366].

2. Claims Bar Date and the Debtors’ Schedules

On April 4, 2019, the Original Debtors (excluding the Canadian Debtors) filed the *Debtors’ Motion for an Order Establishing Bar Dates for Filing Proofs of Claim and Approving Form and Manner of Notice Thereof* [Docket No. 774], (the “Bar Date Motion”) seeking to establish June 7, 2019, as the deadline by which all persons and entities must file and serve Proofs of Claim¹⁸ against the Original Debtors in these Chapter 11 Cases (the

¹⁸ As used herein, the “Proofs of Claim” constitute all Proofs of Claim asserting claims that arose on or prior to the Petition Date, including claims asserted pursuant to section 503(b)(9) of the Bankruptcy Code.

“Original Debtors’ General Bar Date”). Additionally, the Debtors’ requested that the Court establish August 19, 2019, as the deadline by which all governmental units must file and serve Proofs of Claim asserting prepetition claims against any of the Original Debtors (excluding the Canadian Debtors) in these Chapter 11 Cases (the “Original Debtors’ Government Bar Date”). The Bankruptcy Court granted the Bar Date Motion on May 3, 2019 [Docket No. 969].

As outlined above, the July Debtors sought separate relief under the July Debtors’ Bar Date Motion, and therefore claims solely against the July Debtors are to be filed pursuant to the Supplemental Bar Date and the Supplemental Governmental Bar Date. The Bankruptcy Court granted the July Debtors’ Bar Date Motion on July 19, 2019 [Docket No. 1366].

Further, pursuant to the *Order Establishing Bar Dates for Filing Proofs of Claim and Approving Form and Manner of Notice Thereof Solely With Respect to the July Debtors*, any claims against a July Debtor that arose or is deemed to have arisen prior to the July Petition Date must be filed on or before 11:59 p.m., prevailing Central Time on August 30, 2019 (the “Supplemental Bar Date”). Any governmental unit asserting a claim against the July Debtors must file such proof of claim on or before 11:59 p.m., Central Time, on January 3, 2020 (the “Supplemental Governmental Bar Date”).

The Original Debtors filed their Schedules of Assets and Liabilities and Statements of Financial Affairs and related declarations on April 1, 2019 [Docket Nos. 732 – 741 and 743-760]. The July Debtors filed their Schedules of Assets and Liabilities and Statements of Financial Affairs and related declarations on July 15, 2019 [Docket Nos. 1330 and 1331].

To facilitate a parallel claims process in Canada, the Canadian Debtors sought and obtained an order of the Canadian Court dated April 24, 2019 (the “Claims Procedure Order”) to undertake a claims procedure to solicit and identify claims against the Canadian Debtors and their present and former directors and officers. Subject to certain exceptions, the deadline to file Proofs of Claim or to dispute a claim statement delivered under the Claims Procedure Order was June 7, 2019, unless otherwise extended pursuant to the Claims Procedure Order.

3. Executory Contracts and Unexpired Leases

As set forth in the *Debtors’ Motion For Entry of an Order (I) Extending the Time Within Which the Debtors Must Assume or Reject Unexpired Leases of Nonresidential Real Property and (II) Granting Related Relief* [Docket No. 772] (the “Lease Rejection Extension Motion”), as of the Petition Date, the Debtors were a party to approximately 2,400 unexpired non-residential real property leases, most of which related to the Debtors’ brick and mortar retail stores across North America. Further, the Debtors were and are party to a substantial number of executory contracts. In connection with their restructuring efforts, the Debtors are working to maximize the value of their estates, which, among other things, involves a careful and comprehensive evaluation of all aspects of the Debtors’ leases and supply chain. The Debtors intend to utilize the tools afforded a chapter 11 debtor to achieve the necessary cost savings and operational effectiveness envisioned in their revised strategic business plan, including modifying or, in some cases eliminating, burdensome or underutilized agreements and leases in addition to those rejected or to be rejected in connection with the GOB Sales.

The Canadian Debtors have disclaimed all of their real property leases. No contract counterparty has timely filed an application to contest a disclaimer with the Canadian Court and therefore, under the CCAA, the Canadian Debtors have not requested or obtained any relief from the Canadian Court in connection with the lease disclaimers.

4. Lease Renegotiation and Store Closing Process

On the Petition Date, the Debtors filed the *Debtors’ Motion for Entry of Interim and Final Orders (I) Authorizing the Debtors to Assume the Consulting Agreement, (II) Approving Procedures for Store Closing Sales, and (III) Granting Related Relief* [Docket No. 24] (the “Store Closing Motion”) seeking to implement a key component of their liquidation strategy by closing their North American retail locations. The Bankruptcy Court approved the Store Closing Motion on an interim basis on February 20, 2019 [Docket No. 119] and on a final basis on March 20, 2019 [Docket No. 619], pursuant to which the Debtors began the liquidation of all North American stores. On May 8, 2019, the Debtors filed a motion seeking approval to extend the store closing sales as to certain

locations [Docket No. 987] (the “Supplemental Store Closing Motion”). The Bankruptcy Court approved the Supplemental Store Closing Motion on May 31, 2019 [Docket No. 1121]. The Supplemental Store Closing Motion does not apply to the Canadian Debtors, as the liquidation sales in Canada terminated prior to May 1, 2019.

On February 21, 2019, the Canadian Court granted an order approving the liquidation consulting agreement in Canada. The liquidation sales in Canada concluded on April 30, 2019. As of May 31, 2019, the Payless Canada Entities have vacated all of the Canadian locations.

Pursuant to the Final Cash Collateral Order, the Debtors have agreed to treat an amount equal to 85% of the rent for the period from February 18 to February 28, 2019 (the “Stub Rent”) as an Administrative Claim (“Allowed Stub Rent Claim”) and to pay the amount of the Allowed Stub Rent Claim that exceeds any overpayment for rent received by the Debtors’ landlords for the then-current billing cycle, calculated on a *per diem* basis, on account of the remaining days after the effective date of the rejection of the unexpired lease of non-residential real property (“Rejection Date”) in the then-current billing cycle (“Reimbursement Rent”). The Debtors agreed to pay the amount of the Allowed Stub Rent Claim that exceeds the Reimbursement Rent within fifteen (15) days of the later of (a) the effective date of the stub rent agreement or (b) the Rejection Date. As Administrative Claims, the amount of the Allowed Stub Rent Claims that exceeds the respective amount of Reimbursement Rent is required to be paid in full under the Plan.

5. Appointment of the Creditors’ Committee and Retention of Professionals

On March 1, 2019, the United States Trustee appointed the Official Committee of Unsecured Creditors (the “Creditors’ Committee”) pursuant to section 1102 of the Bankruptcy Code [Docket No. 359]. As of the date hereof, the Creditors’ Committee consists of (a) Moda Shoe, Ltd.; (b) Xiamen C&D Light Industry Co, Ltd.; (c) Huge Development, Ltd.; (d) C and C Accord, LTD.; (e) Simon Property Group, Inc.; (f) Brookfield Property REIT, Inc.; and (g) Yaquelin Garcia.

With authorization from the Bankruptcy Court, the Creditors’ Committee retained the following professional advisors to assist the Creditors’ Committee in carrying out its duties and to represent their interests in the Chapter 11 Cases: (a) Pachulski Stang Ziehl & Jones LLP, as lead counsel [Docket No. 962]; (b) Polsinelli P.C. as co-counsel [Docket No. 964]; and (c) Province, Inc., as financial advisor [Docket No. 963].

6. Meeting of Creditors

The meeting of creditors to the Original Debtors pursuant to Bankruptcy Code section 341 was held on April 8, 2019. In accordance with Bankruptcy Rule 9001(5) (which requires, at a minimum, that one representative of the Debtors appear at such meeting of creditors for the purpose of being examined by the United States Trustee and other attending parties in interest), one representative of the Debtors as well as counsel to the Debtors attended the meeting and answered questions posed by the United States Trustee and other parties in interest present at the meeting.

A meeting of creditors to the July Debtors has been scheduled for August 14, 2019 pursuant to Bankruptcy Code section 341 [Docket No. 1365].

7. Special Committee Appointment

As outlined above, the Independent Managers were appointed pursuant to a unanimous written consent of the Board on January 29, 2019 (the “January Consent”). The January Consent delegated to the Independent Managers the exclusive power and authority of the Board to conduct a full and complete review and analysis of all transactions between the Debtors, on the one hand, and the Alden Entities, on the other (the “Insider Investigation”). Following the filing of the bankruptcy cases, S&K continued to work with the Independent Managers in conducting the Insider Investigation, and also coordinated with the newly appointed Committee with respect to its investigation of potential estate causes of action.

While the Insider Investigation was in its early stages, certain creditor parties raised questions about the scope of the investigation and the role of various parties with respect to the investigation. Those issues were resolved in the context of the retention of Akin Gump and S&K. The Akin and S&K Retention Order provided,

among other things, that the Special Committee consisting of the Independent Managers be established by the Board, and that the Special Committee's mandate with respect to Insider Investigation was expanded to investigate, prosecute, release or settle any claim or causes of action in which the Alden Entities or any past or current manager of the Board are or may be implicated. In addition, pursuant to the Akin and S&K Retention Order, the Special Committee was also granted the exclusive authority on behalf of the Board to review, consider, negotiate, adopt or approve any document, action or transaction (including this plan of reorganization) in which the Alden Entities or any manager of the Board is or may be interested or implicated (the "Insider Transactions"). The role of the Special Committee, as contemplated by the Akin and S&K Retention Order, was contemporaneously enacted by unanimous written consent of the Board on May 8, 2019. The Special Committee subsequently retained FTI as its financial advisor to advise it with respect of the Insider Investigation and the Insider Transactions.

(a) Insider Investigation

As stated, beginning in February 2019, and continuing throughout the pendency of the Chapter 11 Cases, the Independent Managers, including, as of May 8, 2019, in the form of the Special Committee, and their advisors have been diligently conducting the Insider Investigation. Throughout the process, S&K and FTI (from and after May 7, 2019) have regularly met with and advised the Special Committee concerning the information gathered during the Insider Investigation, as well as near- and long-term steps concerning the Insider Investigation.

Prior to the Petition Date, at the direction of the Independent Managers, S&K requested materials from the Debtors on matters related to the Insider Investigation and conducted initial interviews of key persons with knowledge of the Debtors' prepetition activities and transactions. Thereafter and throughout the Chapter 11 Cases, S&K has requested supplemental materials from the Debtors and served informal and/or formal document requests on 8 additional entities and persons involved in the Debtors' prepetition activities and significant related-party transactions, including the Debtors' equity owners and current and former managers and officers. In that regard, the Special Committee also sought and obtained an order pursuant to Rule 2004 of the Bankruptcy Code authorizing expedited discovery, which was entered by the Bankruptcy Court on May 20, 2019. As of the date hereof, the Special Committee's advisors have received and reviewed more than 440,000 pages of documents.

In addition, as part of the Insider Investigation, the Special Committee's advisors have spoken with or interviewed some twenty persons with knowledge of the Debtors' prepetition activities and significant related party transactions, including certain of the Debtors' advisors, employees, current and former managers, officers and employees and representatives from the Alden Entities.

The Special Committee and the Creditors' Committee have cooperated on matters related to the Insider Investigation. Specifically, the Special Committee shared with the Creditors' Committee's advisors various materials that it has collected and has coordinated with and included the Creditors' Committee's advisors on witness interviews. To facilitate that process, the Special Committee and the Creditors' Committee, among others, negotiated a confidentiality agreement and protective order to facilitate and expedite the production, exchange and treatment of any confidential material in connection with the Insider Investigation, as well as the Chapter 11 Cases more broadly.

(b) Informational Barrier Protocol

In connection with its appointment, the Special Committee negotiated and adopted written protocols to ensure that appropriate informational barriers were established and enforced to prevent the inappropriate disclosure of insider information to certain Board members and the Alden Entities (the "Informational Barrier Protocols"). The Informational Barrier Protocols were filed with the Bankruptcy Court on May 22, 2019, and provide that the Special Committee has the exclusive authority to determine what information is considered insider information and if and when such information can be disclosed to screened parties, and put in place procedures for the disclosure of both insider and non-insider information. In compliance with the Informational Barrier Protocols, S&K and FTI have routinely met with and advised the Special Committee about the sharing of information throughout the cases.

(c) Insider Transactions/Plan

Further to the authority granted to the Special Committee in connection with Insider Transactions, the Special Committee has led the consideration of, and negotiations related to, the formulation of the terms of the Plan,

including with respect to the global settlement between the Debtors, the Creditors' Committee and the Lender Plan Support Parties. The Special Committee's advisors, together with the Debtors' advisors, worked together to prepare the business plan, valuation and recovery analyses that were presented to the Special Committee for review and consideration, and which comprise the foundation for the terms of the Plan. Relevant analyses and materials were also provided to the various creditor constituencies in furtherance of discussions toward a consensual Plan. The Special Committee approved the Debtors' entry into the global settlement with the Creditors' Committee and the Lender Plan Support Parties, including the release of the Released Parties of any Causes of Action belonging to the Estates, which is now embodied in the Plan. In considering such approval, among other things, the Special Committee weighed the estimated value of any Causes of Action belonging to the Estates, the ability to confirm a plan, the costs and delay of a litigated confirmation hearing, and the lower estimated recoveries for all creditor constituencies in a liquidation scenario and determined that the settlement embodied in the Plan, including the releases contained therein, was fair, equitable, reasonable and in the best interest of the Debtors and their Estates. For the avoidance of doubt, if the Plan is confirmed, the parties subject to the Insider Investigation who are Released Parties will receive the benefit of the releases set forth in the Plan.

**IV.
SUMMARY OF THE PLAN**

THIS SECTION IV IS INTENDED ONLY TO PROVIDE A SUMMARY OF THE KEY TERMS, STRUCTURE, CLASSIFICATION, TREATMENT, AND IMPLEMENTATION OF THE PLAN, AND IS QUALIFIED IN ITS ENTIRETY BY REFERENCE TO THE ENTIRE PLAN AND EXHIBITS THERETO. ALTHOUGH THE STATEMENTS CONTAINED IN THIS DISCLOSURE STATEMENT INCLUDE SUMMARIES OF THE PROVISIONS CONTAINED IN THE PLAN AND IN DOCUMENTS REFERRED TO THEREIN, THIS DISCLOSURE STATEMENT DOES NOT PURPORT TO BE A PRECISE OR COMPLETE STATEMENT OF ALL SUCH TERMS AND PROVISIONS, AND SHOULD NOT BE RELIED ON FOR A COMPREHENSIVE DISCUSSION OF THE PLAN. INSTEAD, REFERENCE IS MADE TO THE PLAN AND ALL SUCH DOCUMENTS FOR THE FULL AND COMPLETE STATEMENTS OF SUCH TERMS AND PROVISIONS. THE PLAN ITSELF (INCLUDING ATTACHMENTS) WILL CONTROL THE TREATMENT OF CREDITORS AND EQUITY SECURITY HOLDERS UNDER THE PLAN. TO THE EXTENT THERE ARE ANY INCONSISTENCIES BETWEEN THIS SECTION IV AND THE PLAN (INCLUDING ATTACHMENTS), THE LATTER SHALL GOVERN.

A. GENERAL BASIS FOR THE PLAN

Each of the Debtors is a proponent of the Plan within the meaning of section 1129 of the Bankruptcy Code. The Plan, though proposed jointly, constitutes a separate chapter 11 plan of reorganization proposed by each Debtor. Therefore, the classifications set forth in Article III of the Plan shall be deemed to apply separately with respect to each Plan proposed by each Debtor.

The terms of the Debtors' Plan are based upon, among other things, the Debtors' assessment of their ability to achieve the goals of their business plan and make the distributions contemplated under the Plan. Under the Plan, Claims against and Interests in the Debtors are divided into separate Classes according to their relative seniority, legal nature, and other criteria, and the Plan proposes recoveries for Holders of Claims against and Equity Interests in the Debtors in such Classes, if any. The Debtors believe that the Plan maximizes value for all stakeholders.

B. PROPOSED TREATMENT OF EACH CLASS OF CLAIMS AND INTERESTS

As set forth in Articles II and III of the Plan and in accordance with sections 1122 and 1123(a)(1) of the Bankruptcy Code, all Claims and Interests (other than Administrative Claims, Priority Tax Claims and Professional Fee Claims, which are unclassified Claims under the Plan) are classified into Classes for all purposes, including voting, Confirmation, and distributions pursuant to the Plan. A Claim or Interest is classified in a particular Class only to the extent that the Claim or Interest qualifies within the description of that Class. A Claim or Interest is also classified in a particular Class for the purpose of receiving distributions pursuant to the Plan only to the extent that such Claim or Interest is an Allowed Claim or Allowed Interest in that Class and has not been paid, released, or otherwise satisfied prior to the Effective Date.

1. Administrative, Priority Tax and Professional Fee Claims

Unclassified Claim	Plan Treatment	Estimated Percent Recovery Under the Plan
Administrative Claims	Unimpaired	100%
Priority Tax Claims	Unimpaired	100%
Professional Fee Claims	Unimpaired	100%

(a) Administrative Claims

Except with respect to Administrative Claims that are Professional Fee Claims, and except to the extent that an Administrative Claim has already been paid during the Chapter 11 Cases or a Holder of an Allowed Administrative Claim and the applicable Debtor(s) agree to less favorable treatment, each Holder of an Allowed

Administrative Claim shall be paid in full in Cash on the unpaid portion of its Allowed Administrative Claim on the latest of: (a) on or as soon as reasonably practicable after the Effective Date if such Administrative Claim is Allowed as of the Effective Date; (b) on or as soon as reasonably practicable after the date such Administrative Claim is Allowed; and (c) the date such Allowed Administrative Claim becomes due and payable, or as soon thereafter as is reasonably practicable; *provided* that Allowed Administrative Claims that arise in the ordinary course of the Debtors' businesses shall be paid in the ordinary course of business in accordance with the terms and subject to the conditions of any agreements governing, instruments evidencing, or other documents relating to such transactions. Notwithstanding the foregoing, no request for payment of an Administrative Claim need be filed with respect to an Administrative Claim previously Allowed by Final Order. Notwithstanding any provision of the Plan to the contrary, no Governmental Unit shall be required to file a request for the payment of an expense described in 11 U.S.C. § 503(b)(1)(B) or (C) as a condition of it being allowed as an administrative expense.

For the avoidance of doubt, the Canadian Postpetition Loans shall be allowed Administrative Claims and shall be paid on the Effective Date unless the Canadian Debtors agree otherwise.

(b) Administrative Claims Bar Date

All requests for payment of an Administrative Claim (other than Professional Fee Claims and the Canadian Postpetition Loans) that accrued on or before the Effective Date must be filed with the Bankruptcy Court and served on the Debtors no later than the Administrative Claims Bar Date; provided, however, pursuant to the Original Debtors Claims Bar Date Order and the July Debtors Claims Bar Date Order, Administrative Claims related to executory contracts or unexpired leases that have been rejected by the Debtors are required to be filed by the later of (a) the Original Debtors Bar Date or the Supplemental General Bar Date (as applicable) and (b) 11:59 p.m., prevailing Central Time, on the date that is thirty (30) days following entry of the relevant order or deemed effective date of the rejection of such rejected contract or unexpired lease. Holders of Administrative Claims that are, based on the preceding sentence, required to, but do not, file and serve a request for payment of such Administrative Claims by such date shall be forever barred, estopped, and enjoined from asserting such Administrative Claims against the Debtors, the Reorganized Debtors, or their property and such Administrative Claims shall be deemed discharged as of the Effective Date.

The Debtors or Reorganized Debtors, in their sole and absolute discretion, may settle Administrative Claims in the ordinary course of business without further Bankruptcy Court approval; provided, however, that the Reorganized Debtors shall not settle an Administrative Claim by agreeing to a General Unsecured Claim in excess of the scheduled amount of such Claim without the consent of the Liquidating Trustee or an order of the Bankruptcy Court. The Debtors or Reorganized Debtors may also choose to object to any Administrative Claim no later than 90 days from the Administrative Claims Bar Date, subject to extensions by the Bankruptcy Court, agreement in writing of the parties, or on motion of a party in interest approved by the Bankruptcy Court. Subject to the withdrawal or settlement of such Administrative Claim, unless the Debtors or the Reorganized Debtors (or other party with standing) object to a timely-filed and properly served Administrative Claim, such Administrative Claim will be deemed allowed in the amount requested. In the event that the Debtors or the Reorganized Debtors object to an Administrative Claim, the parties may confer to try to reach a settlement and, failing that, the Bankruptcy Court will determine whether such Administrative Claim should be allowed and, if so, in what amount.

(c) Professional Compensation

(i) *Final Fee Applications*

All final requests for Professional Fee Claims shall be filed no later than 30 days after the Effective Date. After notice and a hearing in accordance with the procedures established by the Bankruptcy Code and prior Bankruptcy Court orders, the Allowed amounts of such Professional Fee Claims shall be determined by the Bankruptcy Court.

(ii) *Professional Fee Escrow Account*

On the Effective Date, the Reorganized Debtors shall establish and fund, or cause to be funded, the Professional Fee Escrow Account with Cash equal to the aggregate Professional Fee Reserve Amount for all Retained Professionals. The Professional Fee Escrow Account shall be maintained in trust solely for the Retained

Professionals. Such funds shall not be considered property of the Estates of the Debtors or the Reorganized Debtors. The amount of Professional Fee Claims owing to the Retained Professionals shall be paid in Cash to such Retained Professionals by the Reorganized Debtors from the Professional Fee Escrow Account as soon as reasonably practicable after such Professional Fee Claims are Allowed by a Final Order. When all such Allowed amounts owing to Retained Professionals have been paid in full, any remaining amount in the Professional Fee Escrow Account shall promptly be paid to the Reorganized Debtors without any further action or order of the Bankruptcy Court.

(iii) *Professional Fee Reserve Amount*

To receive payment for unbilled fees and expenses incurred through the Effective Date, the Retained Professionals shall estimate their Accrued Professional Compensation prior to and as of the Effective Date and shall deliver such estimate to the Debtors on or before the Effective Date. If a Retained Professional does not provide such estimate, the Reorganized Debtors may estimate the unbilled fees and expenses of such Retained Professional; provided that such estimate shall not be considered an admission or limitation with respect to the fees and expenses of such Retained Professional. The total amount so estimated as of the Effective Date shall comprise the Professional Fee Reserve Amount.

(iv) *Post-Effective Date Fees and Expenses*

Except as otherwise specifically provided in the Plan, from and after the Effective Date, each Debtor and Reorganized Debtor (as applicable) shall pay in Cash the reasonable legal and professional fees and expenses incurred by such Debtor or Reorganized Debtor (as applicable) after the Effective Date in the ordinary course of business and without any further notice to or action, order or approval of the Bankruptcy Court. Further, the fees and expenses of the Liquidating Trust shall be paid as set forth in the Liquidating Trust Agreement. The Debtors and Reorganized Debtors (as applicable) shall pay, within ten Business Days after submission of a detailed invoice to the Debtors or Reorganized Debtors (as applicable), such reasonable claims for compensation or reimbursement of expenses incurred by the Retained Professionals of the Debtors and Reorganized Debtors (as applicable). If the Debtors or Reorganized Debtors (as applicable), dispute the reasonableness of any such invoice, the Debtors or Reorganized Debtors (as applicable) or the affected professional may submit such dispute to the Bankruptcy Court for a determination of the reasonableness of any such invoice, and the disputed portion of such invoice shall not be paid until the dispute is resolved. The undisputed portion of such reasonable fees and expenses shall be paid as provided herein. Upon the Effective Date, any requirement that Retained Professionals comply with sections 327 through 331 and 1103 of the Bankruptcy Code in seeking retention or compensation for services rendered after such date shall terminate, and each Debtor or Reorganized Debtor (as applicable) may employ and pay any Retained Professional in the ordinary course of business without any further notice to or action, order, or approval of the Bankruptcy Court.

(v) *Substantial Contribution Compensation and Expenses*

Except as otherwise specifically provided in the Plan, any Entity that requests compensation or expense reimbursement for making a substantial contribution in the Chapter 11 Cases pursuant to sections 503(b)(3), (4), and (5) of the Bankruptcy Code must file an application and serve such application on counsel for the Debtors or Reorganized Debtors, as applicable, and as otherwise required by the Bankruptcy Court, the Bankruptcy Code, and the Bankruptcy Rules on or before the Administrative Claims Bar Date.

(d) Priority Tax Claims

Except to the extent that a Holder of an Allowed Priority Tax Claim agrees to a less favorable treatment, in full and final satisfaction, compromise, settlement, release, and discharge of, and in exchange for, each Allowed Priority Tax Claim, each Holder of such Allowed Priority Tax Claim shall be treated in accordance with the terms set forth in section 1129(a)(9)(C) of the Bankruptcy Code, including payment in equal installments over a five year period from the Petition Date at an interest rate as provided by state law.

(e) United States Trustee Statutory Fees

The Debtors or Reorganized Debtors, as appropriate, shall pay all United States Trustee quarterly fees under 28 U.S.C. § 1930(a)(6), plus interest due and payable under 31 U.S.C. § 3717 on all disbursements, including Plan payments and disbursements made by the Debtors or Reorganized Debtors, in and outside the ordinary course of the Debtors' or Reorganized Debtors' businesses, until the entry of a Final Order, dismissal of the Chapter 11 Cases or conversion of the Chapter 11 Cases to cases under chapter 7 of the Bankruptcy Code. For the avoidance of doubt, quarterly fees shall not be assessed against disbursements made from the Liquidating Trust.

2. Classified Claims and Interests

(a) Proposed Distributions to Holders of Allowed Claims and Equity Interests

The Plan contemplates the following distributions to Holders of Allowed Claims and Equity Interests, among other recoveries:

<p>Class 1 –Other Priority Claims</p>	<p>Treatment. On the Effective Date, or in the ordinary course of business as and when due, except to the extent a Holder of an Allowed Other Priority Claim has already been paid during the Chapter 11 Cases or such Holder of an Allowed Other Priority Claim, together with the Debtors and the Requisite Consenting Lenders, agrees to less favorable treatment, in full and final satisfaction, settlement, release, and discharge of and in exchange for its Allowed Other Priority Claim, each Holder of an Allowed Other Priority Claim shall receive payment in full, in Cash, of the unpaid portion of its Administrative, Priority Tax, or Allowed Other Priority Claim.</p> <p>Voting. Unimpaired. Each Holder of an Other Priority Claim will be conclusively deemed to have accepted the Plan pursuant to section 1126(f) of the Bankruptcy Code. Therefore, each Holder of an Allowed Other Priority Claim will not be entitled to vote to accept or reject the Plan.</p>
<p>Class 2 – Other Secured Claims</p>	<p>Treatment. On or after the Effective Date, in full and final satisfaction, compromise, settlement, release, and discharge of and in exchange for each allowed Other Secured Claim, each holder or any such Claim (i) shall receive payment in Cash in an amount equal to such Claim, (ii) shall receive the collateral underlying such Claim, or (iii) shall receive such other treatment so as to render such Claim unimpaired pursuant to section 1124 of the Bankruptcy Code.</p> <p>Voting. Unimpaired; not entitled to vote to accept or reject the Plan.</p>
<p>Class 3 – Tranche A-1 Term Loan Claims</p>	<p>Treatment. On the Effective Date, each Holder of an Allowed Tranche A-1 Term Loan Claim shall receive, in full satisfaction, settlement, release and discharge of, and in exchange for such Tranche A-1 Term Loan Secured Claim, its <i>pro rata</i> share of \$68,800,000 in Cash; provided, however, that Holders of Class 3 Claims shall waive any distributions under Class 5A or Class 5B of the Plan on account of their Tranche A-1 Term Loan Deficiency Claims.</p> <p>Voting. Impaired; entitled to vote to accept or reject the Plan.</p>
<p>Class 4 – Tranche A-2 Term Loan Secured Claims</p>	<p>Treatment. On the Effective Date, in full and final satisfaction, compromise, settlement, release, and discharge of and in exchange for each Tranche A-2 Term Loan Secured Claim, each holder of Tranche A-2 Term Loan Secured Claim shall receive its <i>pro rata</i> share of 100% of the New Common Units (as defined below), unless such Holder exercises the Cash Election at the time of voting on the Plan; provided, however, that Holders of Class 4 Claims shall waive any distributions under Class 5A or Class 5B of the Plan on account of their Tranche</p>

	<p>A-2 Term Loan Deficiency Claims.</p> <p>Voting. Impaired; entitled to vote to accept or reject the Plan.</p>
<p>Class 5A –General Unsecured Claims of Payless ShoeSource Worldwide, Inc. and Collective Brands Logistics Limited</p>	<p>Treatment. Subject to the discretion of the Liquidating Trustee, but in no event later than 60 days after all General Unsecured Claims are resolved pursuant to a Final Order (and subject to the allowance, objection, and distribution procedures set forth in the Plan), except to the extent that a Holder agrees to less favorable treatment, in full and final satisfaction, compromise, settlement, release, and discharge of and in exchange for each allowed General Unsecured Claim of Payless ShoeSource Worldwide, Inc. and Collective Brands Logistics Limited, each Holder of any such Claim shall receive its <i>pro rata</i> share of \$8.4 million plus its pro rata share of any unused portion of the Liquidating Trust Fee and Expense Cap of the Liquidating Trust Distributable Assets. No Holder of any such Claim shall be able to receive a recovery on their Claim from both Class 5A and Class 5B.</p> <p>Voting. Impaired; entitled to vote to accept or reject the Plan.</p>
<p>Class 5B – General Unsecured Claims of Debtors Other Than Payless ShoeSource Worldwide, Inc. and Collective Brands Logistics Limited</p>	<p>Treatment. Subject to the discretion of the Liquidating Trustee, but in no event later than 60 days after all General Unsecured Claims are resolved pursuant to a Final Order (and subject to the allowance, objection, and distribution procedures set forth in the Plan), except to the extent that a Holder agrees to less favorable treatment, in full and final satisfaction, compromise, settlement, release, and discharge of and in exchange for each allowed General Unsecured Claim, each Holder of such Claim shall receive its <i>pro rata</i> share of \$5.1 million of the Liquidating Trust Distributable Assets, less the Canadian GUC Amount, plus its pro rata share of any unused portion of the Liquidating Trust Fee and Expense Cap of the Liquidating Trust Distributable Assets. No Holder of any such Claim shall be able to receive a recovery on the identical Claim from both Class 5A and Class 5B.</p> <p>Voting. Impaired; entitled to vote to accept or reject the Plan.</p>
<p>Class 6 – Intercompany Claims</p>	<p>Treatment. Each Intercompany Claim shall either be (a) reinstated as of the Effective Date or (b) cancelled, in which case no distribution shall be made on account of such Intercompany Claim, in each case as determined by the Debtors and the Requisite Lender Plan Support Parties; provided that any Intercompany Claim held by a LatAm JV Entity shall not be cancelled or compromised without the consent of the Holder of such Intercompany Claim.</p> <p>Voting. Deemed to accept the Plan; not entitled to vote to accept or reject the Plan.</p>
<p>Class 7 – Existing Equity Interests in Payless</p>	<p>Treatment. All Existing Equity Interests in Payless, whether represented by stock, preferred share purchase rights, warrants, options, membership units or otherwise, will be cancelled, released, and extinguished and the Holders of such Existing Equity Interests will receive no distribution under the Plan on account thereof.</p> <p>Voting. Impaired; deemed to reject the Plan.</p>
<p>Class 8 –Intercompany Interests</p>	<p>Treatment. Each Intercompany Interest shall either be (a) reinstated as of the Effective Date or (b) cancelled, in which case no distribution shall be made on account of such Intercompany Interest, in each case as determined by the</p>

	Debtors and the Requisite Lender Plan Support Parties. Voting. Deemed to accept the Plan; not entitled to vote to accept or reject the Plan.
--	--

C. POST-EMERGENCE CAPITAL STRUCTURE

The Debtors’ capital structure at emergence will consist of:

- **New First Lien Facility and New Second Lien Facility** of \$65,000,000.
- **New Common Units** of 1,000,000 units of Reorganized Payless.

D. CERTAIN MEANS FOR IMPLEMENTATION OF THE PLAN

1. General Settlement of All Claims

As set forth herein, the Debtors (through the Special Committee), the Creditors’ Committee and the Lender Plan Support Parties have reached a settlement regarding among other issues, the Debtors’ business, capital structure, and any and all claims the Estates may have against the Alden Entities or the Debtors’ current and former officers and directors. Pursuant to that settlement, holders of General Unsecured Claims will receive their respective share, as set forth in the Plan, of up to \$15 million in consideration and the Creditors’ Committee and the Lender Plan Support Parties agreed to support the Debtor Release, Third-Party Release, Injunction, and Exculpation provisions of Article IX of the Plan. This settlement is now embodied in the Plan.

Accordingly, pursuant to section 1123 of the Bankruptcy Code and Bankruptcy Rule 9019, and in consideration for the classification, distributions, releases, and other benefits provided under the Plan, upon the Effective Date, the provisions of the Plan shall constitute a good-faith compromise and settlement of all Claims, Equity Interests, Causes of Action, and controversies released, settled, compromised, discharged, or otherwise resolved pursuant to the Plan. The Plan shall be deemed a motion to approve the good-faith compromise and settlement of all such Claims, Interests, Causes of Action, and controversies pursuant to Bankruptcy Rule 9019, and the entry of the Confirmation Order shall constitute the Bankruptcy Court’s approval of such compromise and settlement under section 1123 of the Bankruptcy Code and Bankruptcy Rule 9019, as well as a finding by the Bankruptcy Court that such settlement and compromise is fair, equitable, reasonable, and in the best interests of the Debtors and their Estates. Distributions made to Holders of Allowed Claims in any Class are intended to be final.

Critical components of the settlements, which have been incorporated into the Plan, include, among other things, treatment of and distributions to creditors under the Plan, post-emergence governance rights, incentive programs, conditions precedent to Plan confirmation, the treatment of avoidance actions, the Debtor Release and Third-Party Release, and other covenants. The components of the Plan reflect and implement the concessions and compromises among the creditor constituencies. The parties to be released under the Plan afforded value to the Debtors and aided in the reorganization process by playing a role in the formulation of the Plan and have expended time and resources analyzing and negotiating the complex issues presented by the Debtors’ capital structure. The release provisions in the Plan were a component of the Debtors’ ability to achieve consensus on the Plan that maximizes recoveries to the Debtors’ creditors and affords the Reorganized Debtors the opportunity to restructure certain of their businesses to compete effectively post-emergence. Absent the consensual Plan, the Debtors could face a longer, costlier, and uncertain chapter 11 process mired with contentious litigation or a near-term liquidation, which could materially delay and reduce distributions to creditors.

2. Restructuring Transactions

The Plan provides that, on the Effective Date or as soon as reasonably practicable thereafter, the Reorganized Debtors may take all actions as may be necessary or appropriate to effect any transaction described in, approved by, contemplated by, or necessary to effectuate the Plan, including: (a) the execution and delivery of appropriate agreements, certificates or other documents or instruments of merger, consolidation, conversion, or reorganization containing terms that are consistent with the terms of the Plan and that satisfy the requirements of

applicable law; (b) the execution and delivery of appropriate instruments of transfer, assignment, assumption, or delegation of any property, right, liability, duty, or obligation on terms consistent with the terms of the Plan; (c) the filing of appropriate certificates or articles of incorporation, merger, conversion, or consolidation with the appropriate governmental authorities pursuant to applicable law; and (d) all other actions that the Reorganized Debtors determine are necessary or appropriate.

Under the Plan the Debtors are authorized but not directed to, in an orderly manner, abandon, dissolve, liquidate or cause to be liquidated any Debtor entities, subsidiaries or Affiliates as the Debtors decide would be in the best interests of the Estates; provided, however, that with respect to the Canadian Debtors, such action shall be subject to an order of the Canadian Court during the pendency of the Canadian Proceedings; provided further, however, that Article IV. B of the Plan shall not be deemed to authorize any such actions with respect to the LatAm JV Entities or to impact any rights of the LatAm JV Partners.

3. The New First Lien Facility

On the Effective Date, the Reorganized Debtors will enter into definitive documentation, with respect to the New First Lien Facility in an aggregate amount up to \$35 million as a first lien facility. No New First Lien Debt shall be guaranteed by, or secured by any of the assets of, the CA Loan Parties or the LatAm JV Entities.

Confirmation of the Plan shall be deemed to constitute approval of the New First Lien Facility and the New First Lien Facility Documents (including all transactions contemplated thereby and all actions to be taken, undertakings to be made, and obligations to be incurred by the Reorganized Debtors in connection therewith, including the payment of all fees, indemnities, and expenses provided for therein) and, subject to the occurrence of the Effective Date, authorization for the Reorganized Debtors to enter into and perform their obligations under the New First Lien Facility Documents and such other documents as may be reasonably required or appropriate, in each case, in accordance with the New First Lien Facility Documents.

On the Effective Date, the New First Lien Facility Documents shall constitute legal, valid, binding, and authorized obligations of the Reorganized Debtors, enforceable in accordance with their terms. The financial accommodations to be extended pursuant to the New First Lien Facility Documents are being extended, and shall be deemed to have been extended, in good faith, for legitimate business purposes, are reasonable, shall not be subject to avoidance, recharacterization, or subordination (including equitable subordination) for any purposes whatsoever, and shall not constitute preferential transfers, fraudulent conveyances, or other voidable transfers under the Bankruptcy Code or any other applicable non-bankruptcy law. On the Effective Date, all of the liens and security interests to be granted in accordance with the New First Lien Facility Documents (a) shall be legal, binding, and enforceable liens on, and security interests in, the collateral granted thereunder in accordance with the terms of the New First Lien Facility Documents, (b) shall be deemed automatically attached and perfected on the Effective Date, subject only to such liens and security interests as may be permitted under the New First Lien Facility Documents, and (c) shall not be subject to avoidance, recharacterization, or subordination (including equitable subordination) for any purposes whatsoever and shall not constitute preferential transfers, fraudulent conveyances, or other voidable transfers under the Bankruptcy Code or any applicable non bankruptcy law. The Reorganized Debtors and the Entities granted such liens and security interests are authorized to make all filings and recordings, and to obtain all governmental approvals and consents necessary to establish, attach, and perfect such liens and security interests under the provisions of the applicable state, provincial, federal, or other law (whether domestic or foreign) that would be applicable in the absence of the Plan and the Confirmation Order (it being understood that perfection shall occur automatically by virtue of the entry of the Confirmation Order, and any such filings, recordings, approvals, and consents shall not be required), and will thereafter cooperate to make all other filings and recordings that otherwise would be necessary under applicable law to give notice of such liens and security interests to third parties. To the extent that any Holder of a Secured Claim that has been satisfied or discharged in full pursuant to the Plan, or any agent for such Holder, has filed or recorded publicly any liens and/or security interests to secure such Holder's Secured Claim, then as soon as practicable on or after the Effective Date, such Holder (or the agent for such Holder) shall take any and all steps requested by the Debtors, the Reorganized Debtors, or any administrative agent under the New First Lien Facility Documents that are necessary to cancel and/or extinguish such liens and/or security interests.

4. The New Second Lien Facility

In accordance with and subject to the terms of the New Second Lien Debt Commitment Agreement, on the Effective Date the Reorganized Debtors and the New Second Lien Debt Commitment Party will enter into definitive documentation with respect to the New Second Lien Facility in an amount of \$30 million. The liens securing the New Second Lien Facility shall be subject to the liens securing the New First Lien Facility. No New Second Lien Debt shall be guaranteed by, or secured by any of the assets any of the CA Loan Parties or the LatAm JV Entities.

Confirmation of the Plan shall be deemed to constitute approval of the New Second Lien Facility and the New Second Lien Facility Documents (including all transactions contemplated thereby and all actions to be taken, undertakings to be made, and obligations to be incurred by the Reorganized Debtors in connection therewith, including the payment of all fees, indemnities, and expenses provided for therein) and, subject to the occurrence of the Effective Date, authorization for the Reorganized Debtors to enter into and perform their obligations under the New Second Lien Facility Documents and such other documents as may be reasonably required or appropriate, in each case, in accordance with the New Second Lien Facility Documents.

On the Effective Date, the New Second Lien Facility Documents shall constitute legal, valid, binding, and authorized obligations of the Reorganized Debtors, enforceable in accordance with their terms. The financial accommodations to be extended pursuant to the New Second Lien Facility Documents are being extended, and shall be deemed to have been extended, in good faith, for legitimate business purposes, are reasonable, shall not be subject to avoidance, recharacterization, or subordination (including equitable subordination) for any purposes whatsoever, and shall not constitute preferential transfers, fraudulent conveyances, or other voidable transfers under the Bankruptcy Code or any other applicable non-bankruptcy law. On the Effective Date, all of the liens and security interests to be granted in accordance with the New Second Lien Facility Documents (a) shall be legal, binding, and enforceable liens on, and security interests in, the collateral granted thereunder in accordance with the terms of the New Second Lien Facility Documents, (b) shall be deemed automatically attached and perfected on the Effective Date, subject only to such liens and security interests as may be permitted under the New Second Lien Facility Documents, and (c) shall not be subject to avoidance, recharacterization, or subordination (including equitable subordination) for any purposes whatsoever and shall not constitute preferential transfers, fraudulent conveyances, or other voidable transfers under the Bankruptcy Code or any applicable non-bankruptcy law. The Reorganized Debtors and the Entities granted such liens and security interests are authorized to make all filings and recordings, and to obtain all governmental approvals and consents necessary to establish, attach, and perfect such liens and security interests under the provisions of the applicable state, provincial, federal, or other law (whether domestic or foreign) that would be applicable in the absence of the Plan and the Confirmation Order (it being understood that perfection shall occur automatically by virtue of the entry of the Confirmation Order, and any such filings, recordings, approvals, and consents shall not be required), and will thereafter cooperate to make all other filings and recordings that otherwise would be necessary under applicable law to give notice of such liens and security interests to third parties. To the extent that any Holder of a Secured Claim that has been satisfied or discharged in full pursuant to the Plan, or any agent for such Holder, has filed or recorded publicly any liens and/or security interests to secure such Holder's Secured Claim, then as soon as practicable on or after the Effective Date, such Holder (or the agent for such Holder) shall take any and all steps requested by the Debtors, the Reorganized Debtors, or any administrative agent under the New Second Lien Facility Documents that are necessary to cancel and/or extinguish such liens and/or security interests.

5. Cash Election Commitment

In accordance with and subject to the terms of the Cash Election Commitment Agreement, (i) Axar shall make the Axar Cash Election Payment, and (ii) with respect to any amount by which the aggregate amount of the Cash Election to be paid to the Cash Electors under the Plan exceeds the Axar Cash Election Payment, (a) the Alden Entities shall have an option to fund up to 50% of such amount, and (b) the Axar Entities shall fund 50% of such amount plus any amount for which the Alden Entities do not exercise the option to fund.

On the Effective Date, the Axar Entities and the Alden Entities shall receive, as applicable, the New Common Units that each Tranche A-2 Term Loan Lender that makes the Cash Election would have received had such Tranche A-2 Term Loan Lender not made the Cash

6. The CA Loan

Pursuant to the Plan, the CA Credit Agreement and any other applicable documentation related to the CA Loan shall be amended to ensure that Interest in all Interest Periods (as defined in the CA Credit Agreement) for the first year following the Effective Date shall, at the option of the CA Loan Parties, be (a) paid in Cash at the rate set forth in the CA Credit Agreement, or (b) paid in kind at a rate per annum equal to 12%. Interest in all Interest Periods following the first anniversary of the Effective Date shall be paid in Cash as currently provided in the CA Credit Agreement.

Further, amortization of the CA Loan shall occur following the Effective Date, payable on the first anniversary of the Effective Date and every six (6) months thereafter (or, if such date is not a business day, the business day immediately preceding such date), in an aggregate annual amount equal to 5% of the original principal amount in the year beginning with the first anniversary after the Effective Date and 10% for each year thereafter. The remaining aggregate principal amount of the CA Loan will be payable in full at maturity.

Covenants, events of default, and representations under the CA Credit Agreement will also be modified pursuant to the Plan.

7. Corporate Existence

Subject to any restructuring transactions as permitted under Article IV.B of the Plan, each Debtor shall continue to exist on and after the Effective Date as a separate corporation, limited liability company, partnership, or other form of entity, as the case may be, with all the powers of a corporation, limited liability company, partnership, or other form of entity, as the case may be, pursuant to the applicable law in the jurisdiction in which each applicable Debtor is incorporated or formed and pursuant to the respective certificate of incorporation and bylaws (or other similar formation and governance documents) in effect prior to the Effective Date, except to the extent such certificate of incorporation or bylaws (or other similar formation and governance documents) are amended by or in connection with the Plan or otherwise, and, to the extent such documents are amended, such documents are deemed to be amended pursuant to the Plan and require no further action or approval (other than any requisite filings required under applicable state, provincial, or federal law).

As further provided in Article IV.B of the Plan, the Debtors are authorized to, in an orderly manner, abandon, dissolve, liquidate or cause to be liquidated any Debtor entities, subsidiaries or Affiliates as the Debtors decide would be in the best interests of the Estates; provided, however, that with respect to the Canadian Debtors, such action shall be subject to an order of the Canadian Court during the pendency of the Canadian Proceedings; provided, further, that for the avoidance of doubt, the foregoing shall not be deemed to authorize any such actions with respect to the LatAm JV Entities or to impact any rights of the LatAm JV Partners.

8. Vesting of Assets in the Reorganized Debtors

Subject to Article IV.G of the Plan, and except as otherwise provided in the Plan or in any agreement, instrument, or other document incorporated in the Plan, on the Effective Date, all property in each Estate, all causes of action, and any property acquired by any of the Debtors pursuant to the Plan shall vest in each respective Reorganized Debtor, free and clear of all liens, Claims, charges, or other encumbrances. For the avoidance of doubt, the Reorganized Debtors shall have no property interest in the funds in the Liquidating Trust and such funds shall

not be considered property of the Reorganized Debtors and any liens, charges, or other encumbrances granted under the Plan shall not extend to an interest in the funds held in the Liquidating Trust. On and after the Effective Date, except as otherwise provided in the Plan, each Reorganized Debtor may operate its business and may use, acquire, or dispose of property and compromise or settle any Claims, Interests, or Causes of Action without supervision or approval by the Bankruptcy Court and free of any restrictions of the Bankruptcy Code or Bankruptcy Rules.

9. Cancellation of Prepetition Term Loan Facility, Prepetition ABL Credit Facility, DIP Credit Agreement and Equity Interests

On the Effective Date, except as otherwise specifically provided for in the Plan: (a) the obligations of the Debtors under the Prepetition Term Loan Facility, the Prepetition ABL Credit Facility, the DIP Credit Facility, and any other certificate, equity security, share, note, bond, indenture, purchase right, option, warrant, or other instrument or document directly or indirectly evidencing or creating any indebtedness or obligation of or ownership interest in the Debtors giving rise to any Claim or Equity Interest (except such certificates, notes, or other instruments or documents evidencing indebtedness or obligation of or ownership interest in the Debtors that are reinstated pursuant to the Plan), shall be cancelled solely as to the Debtors and their Affiliates, and all documentation in respect of those enumerated facilities is terminated, except as expressly provided below, and the Reorganized Debtors and their Affiliates shall not have any continuing obligations thereunder; and (b) the obligations of the Debtors and their Affiliates pursuant, relating, or pertaining to any agreements, indentures, certificates of designation, bylaws, or certificate or articles of incorporation or similar documents governing the shares, certificates, notes, bonds, indentures, purchase rights, any options, warrants, or other instruments or documents evidencing or creating any indebtedness or obligation of or ownership interest in the Debtors (except such agreements, certificates, notes, or other instruments evidencing indebtedness or obligation of or ownership interest in the Debtors that are specifically reinstated pursuant to the Plan) shall be released and discharged. Notwithstanding the foregoing:

- The Prepetition Term Loan Facility shall continue in effect solely for the purpose of: (i) allowing Holders of the Prepetition Term Loan Claims to receive the distributions provided for under the Plan and distributions from the Canadian Debtors; (ii) allowing the Prepetition Term Loan Agent to receive distributions from the Debtors and the Canadian Debtors and to make further distributions to the Holders of such Claims on account of such Claims, as set forth in Article VI.A of the Plan, including any potential distributions based on liens that Holders of Class 4 Claims hold over intercompany receivables with the Canadian Debtors; (iii) allowing the Prepetition Term Loan Agent to seek to enforce its security against the Canadian Debtors; and (iv) preserving the Prepetition Term Loan Agents' right to indemnification pursuant and subject to the terms of the Prepetition Term Loan Facility in respect of any Claim or Cause of Action asserted against the Prepetition Term Loan Agents; *provided* that any Claim or right to payment on account of such indemnification shall be an Administrative Claim; and the Canadian Debtors shall cancel any post-petition intercompany receivables payable by the Debtors unless the Debtors elect to repay such receivable, subject to the lien of the Holders of Class 4 Claims.
- The Prepetition ABL Credit Facility and the DIP Facility shall continue solely for the purpose of preserving the rights of Wells Fargo, the DIP Facility Agent and the DIP Lenders to indemnification pursuant to and subject to the respective agreements.
- The Prepetition Term Loan Facility Agent, the DIP Facility Agent, and Wells Fargo, as collateral agent and administrative agent, for the Prepetition ABL Credit Facility, are authorized to execute any and all documentation necessary or desirable to evidence the termination of the Prepetition Term Loan Facility, the DIP Facility and the Prepetition ABL Credit Facility.
- The Debtors are authorized to file any necessary security interest and/or lien releases or terminations to evidence the termination of the Prepetition Term Loan Facility, the DIP Facility and the Prepetition ABL Credit Facility.
- The foregoing shall not affect the cancellation of units issued pursuant to the Plan nor any other units held by one Debtor in the capital of another Debtor.

- The foregoing shall not affect or be deemed to impact the rights and interests of the LatAm JV Partners related to the LatAm JV Entities or LatAm Business.

10. Sources of Cash for Plan Distributions and Transfers of Funds Among Debtors

The Cash necessary for the Reorganized Debtors to make Cash payments required pursuant to the Plan will be funded from three sources: (1) proceeds from the New First Lien Facility and New Second Lien Facility; (2) Cash on hand as of the Effective Date; and (3) cash from the Axar Cash Election Payment and any other Cash to be paid by the Axar Entities and the Alden Entities under the Cash Election Commitment Agreement.

In making such Cash payments, the Debtors and the Reorganized Debtors will be entitled to transfer funds between and among themselves as they determine to be necessary or appropriate to enable the Reorganized Debtors to satisfy their obligations under the Plan. Except as set forth in the Plan, any changes in intercompany account balances resulting from such transfers will be accounted for and settled in accordance with the Debtors' historical intercompany account settlement practices and will not violate the terms of the Plan.

From and after the Effective Date, the Reorganized Debtors, subject to any applicable limitations set forth in any post-Effective Date financing, shall have the right and authority without further order of the Bankruptcy Court, to raise additional capital and obtain additional financing as the boards of directors of the applicable Reorganized Debtors deem appropriate.

11. Effectuating Documents and Further Transactions

The Debtors or the Reorganized Debtors, as applicable, may take all actions to execute, deliver, file, or record such contracts, instruments, releases, and other agreements or documents and take such actions as may be necessary or appropriate to effectuate and implement the provisions of the Plan, including, without limitation, the distribution of the securities to be issued pursuant hereto in the name of and on behalf of the Reorganized Debtors, without the need for any approvals, authorizations, actions, or consents except for those expressly required pursuant hereto. The secretary, any assistant secretary and any director of each Debtor shall be authorized to certify or attest to any of the foregoing actions. Prior to, on or after the Effective Date (as appropriate), all matters provided for pursuant to the Plan that would otherwise require approval of the shareholders, directors, or members of the Debtors shall be deemed to have been so approved and shall be in effect prior to, on or after the Effective Date (as appropriate) pursuant to applicable law and without any requirement of further action by the shareholders, directors, managers or partners of the Debtors, or the need for any approvals, authorizations, actions or consents.

12. Issuance of New Equity

(a) New Common Units

On the Effective Date, Reorganized Payless shall issue New Common Units in accordance with the terms of the Plan and the New Organizational Documents, without the need for any further corporate or member action.

Pursuant to the New Organizational Documents, Reorganized Payless will further be authorized, but not required, to issue New Incentive Units pursuant to the Management Incentive Plan.

Upon the Effective Date, (i) the New Common Units shall not be registered under the Securities Act, and shall not be listed for public trading on any securities exchange, and (ii) none of the Reorganized Debtors will be a reporting company under the Exchange Act. The New Common Units will be issued pursuant to section 1145 of the Bankruptcy Code or another available exemption from registration under the Securities Act, and the New Common Units may be resold without registration under the Securities Act or other applicable securities laws by the recipients thereof without further registration, subject to certain restrictions under the provisions of section 1145(b)(1) of the Bankruptcy Code relating to the definition of an underwriter in section 2(a)(11) of the Securities Act, if applicable, and affiliates under applicable securities laws. Transfers of New Common Units will not otherwise (i) require approval of the New Board or (ii) be subject to other restrictions except for (a) the obligation of transferees to become party to the New Operating Agreement and (b) the right of first refusal on certain transfers of New Common Units by Alden and Axar, as set forth in the New Operating Agreement.

The distribution of New Common Units pursuant to the Plan may be made by delivery of one or more certificates representing such new units as described herein, by means of book entry registration on the books of the transfer agent of New Common Units or by means of book entry exchange through the facilities of a transfer agent satisfactory to the Debtors in accordance with the customary practices of such agent, as and to the extent practicable.

(b) Tag, Drag and Preemptive Rights

Significant Holders shall have customary tag-along rights on transfers by either the Alden Entities (and their transferees) or the Axar Entities (and their transferees) of 25% or more of the Alden Entities or the Axar Entities respective holdings of New Common Units in a single transaction. The tag-along rights of any Significant Holder shall be with respect to the percentage of its holdings equal to the percentage of the holdings of the Alden Entities or the Axar Entities that the Alden Entities or the Axar Entities seek to transfer. A Significant Holder shall retain its right to these customary tag-along rights so long as such Significant Holder owns at least 51% of the New Common Units that it owned as of the Effective Date (or acquired following the Effective Date at which time it became the holder of 5% or more of the New Common Units.)

All Holders of New Common Units shall have customary preemptive rights and other minority protections. In addition to rights to compel a sale of Reorganized Payless in Section IV.D.11, customary drag-along rights shall apply to the sale in a single transaction of a majority of the New Common Units which drag-along rights may be exercised in the first three years following the Effective Date by Holders of at least 75% of the issued and outstanding New Common Units and following the third anniversary of the Effective Date by Holders of a majority of the issued and outstanding New Common Units. Holders of New Common Units will not be required to make capital contributions to Reorganized Payless.

The foregoing shall be set forth in further detail in the New Organizational Documents.

(c) Private Companies

On the Effective Date, the Reorganized Debtors shall be private, non-SEC reporting companies.

13. Simultaneous and Future Transactions

(a) LatAm Business

Under the Plan, the LatAm Business shall be retained as property of the Reorganized Debtors and the LatAm JV Partners as of the Effective Date, and all obligations of the Debtors' direct or indirect non-Debtor subsidiaries that own or control the LatAm Business shall remain outstanding and continue in effect.

(b) Royalty, Licensing, Service and Sourcing Agreements

All of the Debtors' royalty, licensing, services and sourcing agreements shall be assumed and retained as property of the Reorganized Debtors as of the Effective Date.

(c) Canadian Debtors

The Canadian Debtors are not plan proponents under the Plan. The Debtors or Reorganized Debtors shall cause the Canadian Debtors to bring forward a motion for approval of a plan of compromise or arrangement under the CCAA (the "CCAA Plan") in the Canadian Court. The CCAA Plan shall be in form and substance acceptable to the Prepetition Term Loan Agent, the Requisite Lender Plan Support Parties, the Monitor, and the Canadian Debtors. To facilitate implementation of the CCAA Plan, the Prepetition Term Loan Agent and the Prepetition Term Loan Lenders consent to release their security over funds in an amount equal to the Canadian GUC Amount, to be held by the Canadian Debtors. The assets of the Canadian Debtors, except for the Canadian GUC Amount, and subject to any priority amounts provided for in the CCAA Plan, remain subject to the Term Loan Agent and Term Loan Lenders' security interests. The Canadian Debtors will cancel the claims of the Debtors against the Canadian Debtors, or otherwise resolve any Intercompany Claims in respect of the Canadian Debtors in a manner acceptable to the Debtors or the Reorganized Debtors and the Canadian Debtors.

(d) Collective Brands Logistics Limited

Collective Brands Logistics Limited and Payless Sourcing LLC are authorized, but not directed, to commence or continue the liquidation process of their business and assets (including deregistration, liquidation, dissolution, bankruptcy and/or abandonment of any of their direct or indirect subsidiaries, branches or representative offices) in any relevant courts in or otherwise as appropriate in the subject jurisdictions. In exchange for the treatment of the Holders of General Unsecured Claims of Collective Brands Logistics Limited and Payless Sourcing LLC pursuant to the Plan, Collective Brands Logistics Limited and Payless Sourcing LLC shall be authorized (i) to assume and assign any executory contracts or unexpired leases pursuant to Section V, (ii) transfer any shares of its direct or indirect subsidiaries, and (iii) transfer, and take any and all steps to transfer, any assets (including assets of any of its direct or indirect subsidiaries, branches or representative offices which assets include, without limitation, any real property leases or any rental deposits or prepaid expenses thereunder), in each instance free and clear of all liens, claims and encumbrances, to Dynamic Assets Limited and/or any of its direct or indirect subsidiaries, branches or representative offices under the Plan. Nothing herein shall release or otherwise affect any amounts due to the Dynamic Assets Limited trade creditors and the Debtors shall continue to fund any amounts payable to Dynamic Assets Limited trade creditors in accordance with the Debtors' budget authorizing use of cash collateral and such amounts shall either be paid in full on the Effective Date or placed into an escrow account on the Effective Date.

Collective Brands Logistics Limited and Payless Sourcing LLC are further authorized, but not directed, to reject that certain:

- Restated Joint Business Agreement dated December 21, 2016 between Payless Sourcing, LLC and Collective Brands Logistics Limited; and
- Declaration of Trust dated December 21, 2016 between Collective Brands Logistics, Limited as trustee and Payless Sourcing as beneficiary, and take any and all such steps as may be necessary to give effect to the rejection or unwinding of those agreements.

By the Plan, Collective Brands Logistics Limited and Payless Sourcing LLC are authorized, in their discretion, to (i) transfer, and take any and all steps to transfer, any, or all necessary, employees (including any contractors) of their direct or indirect subsidiaries, branches or representative offices to Dynamic Assets Limited and/or any of its direct or indirect subsidiaries, branches or representative offices, (ii) appoint, remove or replace any director, representative, branch manager or other office holder of their direct or indirect subsidiaries, branches or representative offices. Payless Sourcing LLC is further authorized to wind up or administratively deregister Collective Brands Services Limited ("CBSL"),¹⁹ by (i) rejecting the CBIHL Declaration of Trust and (ii) commencing or continuing the liquidation process of CBSL and any of its business and assets (including deregistration, liquidation, dissolution, bankruptcy and/or abandonment of any of its direct or indirect subsidiaries, branches or representative offices).

All Intercompany Claims between Collective Brands Logistics Limited and Payless Sourcing LLC on the one hand, and the remaining Debtors on the other hand, shall be deemed released as of the Effective Date.

(e) Transactions with Affiliates

There shall be no Affiliate Transactions (as defined in the Plan) unless approved by all members of the New Board, excluding the New Board member designated by the applicable member (or its affiliate) that is party to the Affiliate Transaction. In addition, the New Board member designated by such applicable member shall be excluded from all deliberations on any such Affiliate Transaction. The foregoing shall be set forth in further detail in the New Organizational Documents.

¹⁹ Specifically, Payless Sourcing LLC is party to the Declaration of Trust dated November 26, 2016 between Collective Brands International Holdings, Limited II ("CBIHL") as trustee and Payless Sourcing LLC, as beneficiary, pursuant to which CBIHL holds shares in CBSL on trust for Payless Sourcing LLC (the "CBIHL Declaration of Trust").

(f) Compelled Sale of the Company

After the third anniversary of the Effective Date, either the Alden Entities or the Axar Entities (so long as the Alden Entities and the Axar Entities, respectively, own at least 51% of the New Common Units that it owned as of the Effective Date) may compel the Reorganized Debtors to sell all of their remaining assets through a competitive process managed by independent third-party financial advisors or investment bankers. After the fourth anniversary of the Effective Date, the Holders of at least 25% of the New Common Units (without regard to New Incentive Units) may compel the Reorganized Debtors to sell all of their remaining assets through a competitive process managed by independent third-party financial advisors or investment bankers.

The Axar Entities, the Alden Entities, the Invesco Entities, and the Octagon Entities shall not have any right of first refusal or similar right to purchase any or all of the assets of the Reorganized Debtors, but each may submit proposals to purchase such assets; provided, however, that if any of the Axar Entities, the Alden Entities, the Invesco Entities, or the Octagon Entities participate in the sale process, such participant or participants shall be excluded from management of the process and will not have access to any advisors retained in connection with the process other than in its capacity as a bidding party. Any sale to any of the Axar Entities, the Alden Entities, the Invesco Entities, or the Octagon Entities will require the delivery of a fairness opinion by the third party financial advisor or investment bank retained to manage such sale.

The foregoing shall be set forth in further detail in the New Organizational Documents.

14. Section 1145 Exemption

Pursuant to section 1145 of the Bankruptcy Code and/or, to the extent that section 1145 of the Bankruptcy Code is unavailable, section 4(a)(2) of the Securities Act, and/or the safe harbor of Regulation D promulgated thereunder, or such other exemption as may be available from any applicable registration requirements, the offering, issuance, and distribution of any securities pursuant to the Plan shall be exempt from, among other things, the registration requirements of section 5 of the Securities Act to the maximum extent permitted thereunder and any other applicable law requiring registration by virtue of section 1145 of the Bankruptcy Code, prior to the offering, issuance, distribution, or sale of securities. In addition, to the maximum extent provided under section 1145 of the Bankruptcy Code, to the extent applicable, any and all New Common Units contemplated by the Plan will be freely tradable and transferable by any initial recipient thereof, subject to certain exceptions if the recipient (x) is an "affiliate" of the Reorganized Debtors (as defined in rule 144(a)(1) under the Securities Act), (y) has been such an "affiliate" within 90 days of such transfer, and (z) is an "underwriter" as defined in section 1145(b) of the Bankruptcy Code.

15. New Organizational Documents

On or immediately prior to the Effective Date, the organizational documents of each of the Debtors shall be amended and restated, as may be necessary to effectuate the transactions contemplated by the Plan, in a manner consistent with section 1123(a)(6) of the Bankruptcy Code and shall otherwise be satisfactory to the Requisite Consenting Lenders. Each of the Reorganized Debtors will file its New Organizational Documents with the applicable Secretaries of State and/or other applicable authorities in its respective state, province, or country of incorporation in accordance with the corporate laws of the respective state, province, or country of incorporation. The New Organizational Documents will prohibit the issuance of non-voting equity securities, to the extent required under section 1123(a)(6) of the Bankruptcy Code.

16. Exemption from Certain Transfer Taxes and Recording Fees

To the fullest extent permitted by section 1146(a) of the Bankruptcy Code, any transfer of property from a Debtor to a Reorganized Debtor or to any Entity pursuant to, in contemplation of, or in connection with the Plan or pursuant to: (1) the issuance, distribution, transfer, or exchange of any debt, securities, or other interest in the Debtors or the Reorganized Debtors; (2) the creation, modification, consolidation, or recording of any mortgage, deed of trust, or other security interest, or the securing of additional indebtedness by such or other means; (3) the making, assignment, or recording of any lease or sublease; (4) the grant of collateral as security for any or all of the New First Lien Facility and New Second Lien Facility, as applicable; or (5) the making, delivery, or recording of any deed or other instrument of transfer under, in furtherance of, or in connection with, the Plan, including any

deeds, bills of sale, assignments, or other instrument of transfer executed in connection with any transaction arising out of, contemplated by, or in any way related to the Plan, shall not be subject to any document recording tax, stamp tax, conveyance fee, intangibles or similar tax, mortgage tax, real estate transfer tax, mortgage recording tax, Uniform Commercial Code filing or recording fee, regulatory filing or recording fee, sales or use tax, or other similar tax or governmental assessment, and the appropriate state or local governmental officials or agents shall forego the collection of any such tax or governmental assessment and to accept for filing and recordation any of the foregoing instruments or other documents without the payment of any such tax or governmental assessment. All filing or recording officers (or any other Person with authority over any of the foregoing), wherever located and by whomever appointed, shall comply with the requirements of section 1146(c) of the Bankruptcy Code, shall forego the collection of any such tax or governmental assessment, and shall accept for filing and recordation any of the foregoing instruments or other documents without the payment of any such tax or governmental assessment.

17. Directors and Officers of Reorganized Payless and Other Reorganized Debtors

The Debtors shall disclose the identities of the members of the New Board and the Independent Director prior to the Effective Date. On the Effective Date, the board shall consist of the following Initial Directors: (i) one director and/or manager appointed by Axar, (ii) one director and/or manager appointed by Alden, (iii) one director and/or manager jointly appointed by Invesco and Octagon, and (iv) an Independent Director and/or manager jointly appointed by Axar, Alden, Octagon, and Invesco no later than ten (10) days prior to the deadline to object to confirmation of the Plan (the "New Board"). As set forth in the New Organizational Documents, in the event Invesco and Octagon, together with their respective affiliates, cease to hold any New Common Units, the Independent Director's seat on the New Board shall be filled through annual election by the Holders of a majority of the New Common Units, and such director shall have industry experience, and shall be independent and have no prior or current relationship with any of the remaining original designees.

The full processes for election of members of the New Board and replacement of members of the New Board will be provided for in the New Operating Agreement. For so long as the New Board is composed of four directors, to the extent a decision or action of Reorganized Payless is approved by two members of the New Board, and two members of the New Board oppose a decision or action, such decision or action may, at the request of the members of the New Board approving such action, be put to a vote of Holders of issued and outstanding New Common Units, and if approved by Holders of at least 90% of the issued and outstanding New Common Units, shall be deemed approved; provided that, in the event Invesco and Octagon collectively cease to hold any New Common Units but the New Board continues to be comprised of four directors the foregoing reference to 90% shall be reduced to 75%.

The following are decisions and actions that, if approved by the New Board acting by less than unanimous consent, will require approval of holders of at least 75% of the issued and outstanding New Common Units: (i) the sale of the LatAm Business, (ii) the consummation by Reorganized Payless of a transaction resulting in a change of control of Reorganized Payless, (iii) the acquisition by Reorganized Payless of another unaffiliated entity or business, whether via merger, the acquisition of equity or the assets of such entity, which transaction has a purchase price in an amount greater than 25% of the equity value of Reorganized Payless at such time (prior to consummation of such transaction), (iv) the sale or disposition by Reorganized Payless of assets of Reorganized Payless outside of the ordinary course of business for a sale price greater than 25% of the equity value of Reorganized Payless at such time (prior to consummation of such sale or disposition), (v) a fundamental change to the nature of Reorganized Payless's business, and (vi) the issuance of more than 20% of New Common Units (subject to certain customary issuance exceptions as apply to preemptive rights referenced above); provided, however that the foregoing approvals shall not apply to a compelled sale of Reorganized Payless as set forth in the Plan.

So long as the Octagon Entities continue to own at least 51% of the New Common Units that they owned as of the Effective Date, Octagon shall have New Board observation rights. So long as the Invesco Entities continue to own at least 51% of the New Common Units that they owned as of the Effective Date, Invesco shall have New Board observation rights.

The foregoing shall be set forth in additional detail in the New Organizational Documents.

18. Preservation of Causes of Action

In accordance with section 1123(b) of the Bankruptcy Code, but subject to Article IX of the Plan, the Reorganized Debtors shall retain and may enforce all rights to commence and pursue, as appropriate, any and all Causes of Action, whether arising before or after the Petition Date, and the Reorganized Debtors' rights to commence, prosecute, or settle such Causes of Action shall be preserved notwithstanding the occurrence of the Effective Date, other than the Causes of Action released by the Debtors pursuant to the releases and exculpations contained in the Plan, including Article IX; provided, however, that all Preference Claims, other than Excluded Preference Claims, shall be deemed assigned to the Liquidating Trust. Excluded Preference Claims shall be retained by the Reorganized Debtors; provided, however, that the Reorganized Debtors shall be not commence any Excluded Preference Claims against any Released Parties. **No Entity may rely on the absence of a specific reference in the Plan or the Disclosure Statement to any Cause of Action against it as any indication that the Debtors or the Reorganized Debtors, as applicable, will not pursue any and all available Causes of Action against it. The Debtors or the Reorganized Debtors, as applicable, expressly reserve all rights to prosecute any and all Causes of Action against any Entity, except as otherwise expressly provided in the Plan, including Article IV.P and Article IX of the Plan.** Unless any Causes of Action against an Entity are expressly waived, relinquished, exculpated, released, compromised, or settled in the Plan or a Bankruptcy Court order, the Reorganized Debtors expressly reserve all Causes of Action, for later adjudication, and, therefore no preclusion doctrine, including the doctrines of *res judicata*, collateral estoppel, issue preclusion, claim preclusion, estoppel (judicial, equitable, or otherwise) or laches, shall apply to such Causes of Action upon, after, or as a consequence of the Confirmation or the Effective Date.

The Reorganized Debtors reserve and shall retain the Causes of Action notwithstanding the rejection or repudiation of any Executory Contract or Unexpired Lease during the Chapter 11 Cases or pursuant to the Plan. In accordance with section 1123(b)(3) of the Bankruptcy Code, any Causes of Action that a Debtor may hold against any Entity shall vest in the applicable Reorganized Debtor, except as otherwise expressly provided in the Plan. The applicable Reorganized Debtors, through their authorized agents or representatives, shall retain and may exclusively enforce any and all such Causes of Action. The Reorganized Debtors shall have the exclusive right, authority, and discretion to determine and to initiate, file, prosecute, enforce, abandon, settle, compromise, release, withdraw, or litigate to judgment any such Causes of Action and to decline to do any of the foregoing without the consent or approval of any third party or further notice to or action, order or approval of the Bankruptcy Court.

19. Directors and Officers Insurance Policies and Agreements

Notwithstanding anything in the Plan to the contrary, effective as of the Effective Date, the Reorganized Debtors shall be deemed to have assumed all unexpired D&O Liability Insurance Policies with respect to the Debtors' directors, managers, officers, and employees serving on or prior to the Petition Date pursuant to section 365(a) of the Bankruptcy Code. Entry of the Confirmation Order will constitute the Bankruptcy Court's approval of the Reorganized Debtors' assumption of each of the unexpired D&O Liability Insurance Policies. Notwithstanding anything to the contrary contained in the Plan, Confirmation of the Plan shall not discharge, impair, or otherwise modify any indemnity obligations assumed by the foregoing assumption of the D&O Liability Insurance Policies, and each such indemnity obligation will be deemed and treated as an Executory Contract that has been assumed by the Reorganized Debtors under the Plan as to which no Proof of Claim need be filed.

After the Effective Date, the Reorganized Debtors shall not terminate or otherwise reduce the coverage under any D&O Liability Insurance Policy (including such tail coverage liability insurance) in effect and all members, managers, directors, and officers of the Debtors or the Canadian Debtors who served in such capacity at any time prior to the Effective Date of the Plan shall be entitled to the full benefits of any such policy for the full term of such policy regardless of whether such members, managers, directors, and/or officers remain in such positions after the Effective Date of the Plan.

On the Effective Date, the Reorganized Debtors shall purchase a customary D&O tail policy.

On the Effective Date, Reorganized Payless will enter into indemnification agreements with each of the members of the New Board, with such indemnification agreements being in form acceptable to Alden, Axar, Invesco, and Octagon.

20. Compensation and Benefits Programs

Unless otherwise provided herein or in the Confirmation Order, or any applicable agreements binding on the Debtors, all employee wages, compensation, and benefit programs in place as of the Effective Date with the Debtors shall be assumed by the Reorganized Debtors and shall remain in place as of the Effective Date, and the Reorganized Debtors will continue to honor such agreements, arrangements, programs, and plans. Notwithstanding the foregoing, pursuant to section 1129(a)(13) of the Bankruptcy Code, from and after the Effective Date, all retiree benefits (as such term is defined in section 1114 of the Bankruptcy Code), if any, shall continue to be paid in accordance with applicable law.

(a) Management Incentive Plan

Unless the terms of a Management Incentive Plan are agreed to prior to the Effective Date by the Requisite Lender Plan Support Parties, promptly on or as soon as practicable after the Effective Date, the New Board will adopt and implement the Management Incentive Plan (the "Management Incentive Plan"). The New Board will determine the number of New Incentive Units to be available for award under the Management Incentive Plan and the allocation of New Incentive Units, if any.

(b) Continuation of Retiree Benefits

The Reorganized Debtors' obligations with respect to the payment of "retiree benefits" (as that term is defined in section 1114(a) of the Bankruptcy Code) shall continue for the duration of the periods the Debtors have obligated themselves to provide such benefits, if any, subject to any contractual rights to terminate or modify such benefits. All rights of the Reorganized Debtors with respect to such obligations are fully reserved.

(c) Workers' Compensation Programs

As of the Effective Date, the Debtors and the Reorganized Debtors shall continue to honor their obligations under: (i) all applicable workers' compensation laws in states in which the Reorganized Debtors operate; and (ii) the Debtors' written contracts, agreements, agreements of indemnity, self-insurer workers' compensation bonds, policies, programs, and plans for workers' compensation and workers' compensation insurance, including without limitation, any Insurance Policies providing workers' compensation insurance coverage to the Debtors. Notwithstanding the foregoing, the Debtors and Reorganized Debtors reserve the right to object to Claims asserted pursuant to applicable workers' compensation programs and to seek to reduce any bonds, letters of credit, or other security related to such programs.

All Proofs of Claims on account of workers' compensation shall be deemed withdrawn automatically and without any further notice to or action, order, or approval of the Bankruptcy Court; provided, however, that nothing in the Plan shall limit, diminish, or otherwise alter the Debtors' or Reorganized Debtors' defenses, Causes of Action, or other rights under applicable non-bankruptcy law with respect to any such contracts, agreements, policies, programs and plans, and all rights of the Reorganized Debtors with respect to such obligations are fully reserved; *provided, further*, that nothing herein shall be deemed to impose any obligations on the Debtors in addition to what is provided for under applicable state law.

Notwithstanding the foregoing, (i) the Insurance Policy providing workers' compensation insurance coverage to the Debtors, entered into between Payless Holdings LLC and Hartford Insurance Company, effective August 1, 2019, is the only currently operative workers' compensation insurance coverage policy in place for the Debtors or Reorganized Debtors; (ii) all prior Insurance Policies providing workers' compensation insurance coverage have been terminated and/or are no longer in effect; and (iii) with respect to any state agency Claims on account of workers' compensation relating to states in which the Debtors or Reorganized Debtors no longer operate, the Debtors and Reorganized Debtors shall honor their obligations under applicable state law and the Bankruptcy Code.

21. Transaction Expenses²⁰

On the Effective Date, the Debtors shall pay in full in Cash the Transaction Expenses.

22. Additional Governance and Related Terms

The New Organizational Documents will reflect such additional governance and related terms regarding the Reorganized Debtors as set forth in the Corporate Governance Term Sheet, including, without limitation, with respect to management of the Reorganized Debtors, the structure, designation, replacement, and voting requirements of the New Board, and certain other corporate governance terms.

E. TREATMENT OF EXECUTORY CONTRACTS AND UNEXPIRED LEASES

1. Assumption and Rejection of Executory Contracts and Unexpired Leases

On the Effective Date, executory contracts and unexpired leases listed on the Schedule of Assumed Executory Contracts and Unexpired Leases filed with the Plan Supplement shall be assumed. The Debtors are deemed to reject any unexpired executory contracts unexpired leases not expressly assumed on the Schedule of Assumed Executory Contracts and Unexpired Leases. The Debtors shall have the right to remove any executory contracts and unexpired leases from the Schedule of Assumed Executory Contracts and Unexpired Leases at any time prior to the Effective Date, and any such removed executory contracts and unexpired leases shall be deemed rejected as of the Effective Date.

Landlords that are a party to the Stub Rent Settlement are entitled to rely on the provisions of that agreement. Those landlords that file timely Administrative Claims for Stub Rent may opt in to the Stub Rent Settlement by the Voting Deadline and receive the benefit of the Stub Rent Settlement; provided, however, that if such landlords to not opt in by the Voting Deadline, the Reorganized Debtors reserve all rights to challenge any argument by such parties for entitlement to any claim other than a General Unsecured Claim.

Entry of the Confirmation Order by the Bankruptcy Court shall, subject to and upon the occurrence of the Effective Date, constitute a Bankruptcy Order approving the assumptions or rejections of the Executory Contracts and Unexpired Leases assumed or rejected pursuant to the Plan. Each Executory Contract and Unexpired Lease assumed pursuant to Article V.A of the Plan or by any order of the Bankruptcy Court shall be vested in and be fully enforceable by the Reorganized Debtors in accordance with its terms, unless otherwise agreed by the Debtors and the applicable counterparty to the Executory Contract or Unexpired Lease, and except as such terms are modified by any order of the Bankruptcy Court authorizing and providing for its assumption under applicable federal law.

2. Indemnification Obligations

On the Effective Date, except as otherwise provided herein, On the Effective Date, except as otherwise provided herein, (i) all Indemnification Obligations to the extent asserted in a Proof of Claim timely filed prior to the Original Debtors' Claims Bar Date and (ii) consistent with applicable law, all Indemnification Obligations of the Debtors to indemnify current directors, officers, managers, employees, attorneys, accountants, investment bankers, and other professionals of the Debtors serving as of or after the Petition Date, as applicable, shall be assumed, which assumption shall be irrevocable, and shall survive the Effective Date.

3. Directors and Officers Insurance Policies and Agreements

Pursuant to Article IV.Q of the Plan, notwithstanding anything in the Plan to the contrary, effective as of the Effective Date, the Reorganized Debtors shall be deemed to have assumed all unexpired D&O Liability Insurance Policies.

²⁰ Under the Plan, transaction expenses means any outstanding fees and expenses of the Lender Plan Support Parties, including all outstanding fees and expenses of Kramer Levin Naftalis & Frankel LLP, Doster Ullom & Boyle LLC, AlixPartners, Houlihan Lokey, Dechert LLP, Carmody MacDonald P.C., and Stroock & Stroock & Lavan LLP (the "Transaction Expenses").

4. Insurance Policies and Surety Bonds

Notwithstanding anything to the contrary in the Disclosure Statement, the Plan, the Plan Supplement, the New First Lien Facility Documents and New Second Lien Facility Documents, the Confirmation Order, the Claims Bar Date Order, any Claim objection, any other document related to any of the foregoing, or any other order of the Bankruptcy Court (including, without limitation, any other provision that purports to be preemptory or supervening, grants an injunction or release, confers Bankruptcy Court jurisdiction, or requires a party to opt out of any releases): (a) on the Effective Date, the Reorganized Debtors shall be deemed to have assumed all Insurance Policies (other than the D&O Liability Insurance Policies, which shall receive the treatment set forth in Article V.C of the Plan) and all obligations thereunder, regardless of when they arise; and (b) except as set forth in Article V.C of the Plan, nothing (x) alters, modifies, or otherwise amends the terms and conditions of (or the coverage provided by) any of such Insurance Policies or (y) alters or modifies the duty, if any, that the insurers or third-party administrators have to pay claims covered by such Insurance Policies and their right to seek payment or reimbursement from the Debtors (or after the Effective Date, the Reorganized Debtors) or draw on any collateral or security therefor. For the avoidance of doubt, insurers and third-party administrators shall not need to nor be required to file or serve a Cure objection or a request, application, Claim, Proof of Claim, or motion for payment and shall not be subject to any Claims Bar Date or similar deadline governing Cure Claims or Claims.

Notwithstanding any other provision of the Plan, on the Effective Date, (1) all of the Debtors' obligations and commitments to any surety bond provider, including without limitation, obligations under any related indemnity agreements, shall be deemed reaffirmed and shall be continuing obligations of the Reorganized Debtors; (2) all bonded obligations of the Debtors for which such surety bonds secure performance by the Debtors shall be deemed assumed by the Debtors and shall be unimpaired by the Plan or Confirmation Order; and (3) to the extent any of the obligations and commitments set forth in this provision are secured by collateral, such collateral shall remain in place. Nothing in the Plan or Confirmation Order shall be deemed to (1) modify or impair the rights of any party under the Debtors' surety bonds, related indemnity agreements, or applicable law; (2) require any surety bond provider to issue any new surety bonds or extensions or renewals of any surety bonds; or (3) affect the sureties' respective rights (only to the extent such rights exist with respect to the surety bonds, indemnity agreements or under applicable law) to require the Reorganized Debtors to execute and deliver to the Sureties new indemnity agreements containing such new or additional terms as the Sureties may require in their discretion. Notwithstanding the foregoing, the Debtors and Reorganized Debtors reserve the right to object to the Claims secured by such surety bond and seek to reduce such surety bonds in accordance with the objections.

5. Cure of Defaults for Assumed Executory Contracts and Unexpired Leases and Claims Based on Rejection of Executory Contracts and Unexpired Leases

The Debtors shall file the Schedule of Assumed Executory Contracts and Unexpired Leases with the Plan Supplement. Any Cure Claims under each Executory Contract and Unexpired Lease to be assumed pursuant to the Plan shall be satisfied, pursuant to section 365(b)(1) of the Bankruptcy Code, by payment of Cure Claim in Cash on the Effective Date, subject to the limitation described below, or on such other terms as the parties to such Executory Contracts or Unexpired Leases may otherwise agree; provided, however, that the Debtors or the Reorganized Debtors, as applicable, shall not settle or otherwise resolve any Cure Claim by providing the counterparty to the Executory Contract or Unexpired Lease with a General Unsecured Claim without the consent of the Creditors' Committee or Liquidating Trustee, as applicable, or further order of the Bankruptcy Court. In the event of a dispute between the Debtors and a counterparty to any Executory Contracts or Unexpired Leases that is not resolved between the parties regarding (1) the amount of any Cure Claim, (2) the ability of the Reorganized Debtors or any assignee to provide "adequate assurance of future performance" (within the meaning of section 365 of the Bankruptcy Code) under the Executory Contract or Unexpired Lease to be assumed, or (3) any other matter pertaining to assumption, the Cure payments required by section 365(b)(1) of the Bankruptcy Code shall be made following the entry of a Final Order or orders resolving the dispute and approving the assumption, which Final Order or orders may, for the avoidance of doubt, be entered (and any related hearing may be held) after the Effective Date.

The Debtors will cause Cure Notices to be served by overnight delivery service upon the applicable contract counterparty affected by such notices and by email upon counsel of record for the applicable contract counterparty, if any. Any objection by a counterparty to an Executory Contract or Unexpired Lease to a proposed assumption or related Cure Claim must be filed, served, and actually received by the Debtors no later than ten (10)

days after service of the notice of proposed assumption and proposed Cure Claims. Any such objections will be scheduled to be heard by the Bankruptcy Court at the Debtors' or Reorganized Debtors', as applicable, first scheduled omnibus hearing after which such objection is timely filed. Any counterparty to an Executory Contract or Unexpired Lease that fails to object timely to the proposed assumption or Cure Claim will be deemed to have assented to such assumption or Cure Claim. To the extent any such dispute regarding the assumption of an Executory Contract or Unexpired Lease is not consensually resolved by the parties or otherwise resolved prior to the Effective Date, such assumption will be deemed to occur retroactively to the Effective Date if approved by the Bankruptcy Court. Notwithstanding the foregoing, all landlords' rights to recover amounts which have accrued or come due between the Cure objection deadline and the effective date of assumption are reserved.

Any Cure Claim shall be deemed fully satisfied, released, and discharged upon payment by the Debtors of any one of the following: (1) amounts listed on the Debtors' Schedule of Assumed Executory Contracts and Unexpired Leases (if no objections to the Cure Claim is filed within the applicable objection period), (2) amounts agreed to by the Debtors and the applicable counterparty, or (3) amounts as ordered by the Bankruptcy Court; provided, however, that nothing shall prevent the Reorganized Debtors from paying any Cure Claim despite the failure of the relevant counterparty to file such request for payment of such Cure Claim. The Debtors or the Reorganized Debtors, as applicable, may settle any Cure Claim without any further notice to or action, order, or approval of the Bankruptcy Court; provided, however, that the Debtors or the Reorganized Debtors, as applicable, shall not settle or otherwise resolve any Cure Claim by providing the counterparty to the Executory Contract or Unexpired Lease with a General Unsecured Claim without the consent of Creditors' Committee or the Liquidating Trustee, as applicable, or further order of the Bankruptcy Court.

Assumption of any Executory Contract or Unexpired Lease pursuant to the Plan or otherwise shall result in the full release and satisfaction of any Claims or defaults, whether monetary or nonmonetary, including, without limitation, defaults of provisions restricting the change in control or ownership interest composition or other bankruptcy-related defaults, arising under any assumed Executory Contract or Unexpired Lease at any time prior to the Effective Date.

Any Proofs of Claim filed with respect to an Executory Contract, Unexpired Lease, or Insurance Policy that has been assumed pursuant to the provisions of the Plan shall be deemed satisfied upon the Debtors' curing of any and all defaults related thereto, without further notice to or action, order, or approval of the Bankruptcy Court.

Unless otherwise provided by a Final Order of the Bankruptcy Court, all Proofs of Claim with respect to Claims arising from the rejection of Executory Contracts or Unexpired Leases, pursuant to the Plan or the Confirmation Order, if any, must be filed with the Bankruptcy Court within thirty (30) days after the earliest to occur of (1) the date of entry of an order of the Bankruptcy Court (including the Confirmation Order) approving such rejection, (2) if applicable, the effective date of such rejection set forth in the Debtors' corresponding notice of rejection, or (3) the Effective Date. **Any Claims arising from the rejection of an Executory Contract or Unexpired Lease not filed with the Bankruptcy Court within the earliest applicable deadline will be automatically disallowed, forever barred from assertion, and shall not be enforceable against the Debtors or the Reorganized Debtors, the Estates, or their property without the need for any objection by the Reorganized Debtors or further notice to, or action, order, or approval of the Bankruptcy Court or any other Entity, and any Claim arising out of the rejection of the Executory Contract or Unexpired Lease shall be deemed fully satisfied, released, and discharged, notwithstanding anything in the Schedules or a Proof of Claim to the contrary.**

6. Preexisting Obligations to the Debtors Under Executory Contracts and Unexpired Leases

Rejection of any Executory Contract or Unexpired Lease pursuant to the Plan or otherwise shall not constitute a termination of preexisting obligations owed to the Debtors or the Reorganized Debtors, as applicable, under such Executory Contracts or Unexpired Leases. In particular, notwithstanding any non-bankruptcy law to the contrary, the Reorganized Debtors expressly reserve and do not waive any right to receive, or any continuing obligation of a counterparty to provide, warranties or continued maintenance obligations on goods previously purchased by the Debtors contracting from non-Debtor counterparties to rejected Executory Contracts or Unexpired Leases.

7. Modifications, Amendments, Supplements, Restatements, or Other Agreements

Unless otherwise provided in the Plan, each Executory Contract or Unexpired Lease that is assumed shall include all modifications, amendments, supplements, restatements, or other agreements that in any manner affect such Executory Contract or Unexpired Lease, and Executory Contracts and Unexpired Leases related thereto, if any, including easements, licenses, permits, rights, privileges, immunities, options, rights of first refusal, and any other interests, unless any of the foregoing agreements has been previously rejected or repudiated or is rejected or repudiated under the Plan.

Modifications, amendments, supplements, and restatements to prepetition Executory Contracts and Unexpired Leases that have been executed by the Debtors during the Chapter 11 Cases shall not be deemed to alter the prepetition nature of the Executory Contract or Unexpired Lease, or the validity, priority, or amount of any Claims that may arise in connection therewith.

8. Contracts and Leases Entered Into After the Petition Date

Contracts and leases entered into after the Petition Date by any Debtor, including any Executory Contracts and Unexpired Leases assumed by such Debtor, and any agreements entered into with creditors pursuant to the interim and final orders authorizing the Debtors to pay prepetition claims of critical vendors, carriers, warehousemen, and section 503(b)(9) claimants, will be performed by the applicable Debtor or the Reorganized Debtor liable thereunder in the ordinary course of its business. Accordingly, such contracts and leases (including any assumed Executory Contracts and Unexpired Leases) will survive and remain unaffected by entry of the Confirmation Order.

9. Reservation of Rights

Neither the exclusion nor inclusion of any Executory Contract or Unexpired Lease on the Schedule of Assumed Executory Contract and Unexpired Leases, nor anything contained in the Plan, shall constitute an admission by the Debtors that any such contract or lease is in fact an Executory Contract or Unexpired Lease or that any of the Reorganized Debtors has any liability thereunder. If there is a dispute regarding whether a contract or lease is or was executory or unexpired at the time of assumption or rejection, the Debtors or the Reorganized Debtors, as applicable, shall have 30 days following entry of a Final Order resolving such dispute to alter their treatment of such contract or lease under the Plan.

10. Nonoccurrence of Effective Date

In the event that the Effective Date does not occur, the Bankruptcy Court shall retain jurisdiction with respect to any request to extend the deadline for assuming or rejecting Unexpired Leases pursuant to section 365(d)(4) of the Bankruptcy Code.

F. DISTRIBUTIONS ON ACCOUNT OF CLAIMS

1. Claims Allowed as of the Effective Date

Except as otherwise provided in the Plan, a Final Order, or as agreed to by the relevant parties, the Reorganized Debtors shall make initial distributions under the Plan on account of Allowed Claims (other than Class 5A and Class 5B Claims)²¹ as soon as practicable after the Initial Distribution Date; provided, however, notwithstanding anything else to the contrary, that distributions under the Plan to Class 3 and Class 4 shall take place on the Effective Date.

²¹ The Reorganized Debtors shall provide up to two employees to the Liquidating Trustee in terms of the Claim information necessary to administer the Liquidating Trust Assets.

2. The Liquidating Trust

(a) Formation of the Liquidating Trust

- (i) On the Effective Date, the Liquidating Trust will be established pursuant to the Liquidating Trust Agreement and become effective for the sole purpose of liquidating and administering the Liquidating Trust Assets, which shall be funded and transferred to the Liquidating Trust on the Effective Date, and making distributions to Holders of Class 5A and Class 5B Claims as provided for under the terms of the Plan in accordance with Treas. Reg. § 301.7701-4(d).
- (ii) The Liquidating Trust shall have a separate existence from the Debtors. On the Effective Date, the Liquidating Trust Assets shall be transferred into the Liquidating Trust. The Confirmation Order shall provide that the Reorganized Debtors shall not have a property interest in the Liquidating Trust and such funds shall not be considered property of the Reorganized Debtors and any liens, charges, or other encumbrances granted under the Plan shall not extend to an interest in the funds held in the Liquidating Trust. The Liquidating Trust shall not be deemed a successor in interest of the Debtors for any purpose other than as specifically set forth herein or in the Liquidating Trust Agreement. On the Effective Date, all Preference Claims, other than Excluded Preference Claims, shall be deemed assigned to the Liquidating Trust; provided, however, that the Liquidating Trust may only assert such Preference Claims defensively to reduce General Unsecured Claims. Notwithstanding anything to the contrary, the Reorganized Debtors shall retain the sole authority to administer Factory Claims; provided, however, that the Reorganized Debtors may only assert Preference Claims relating to the Factory Claims defensively to reduce the Factory Claims; provided further, however, that the Reorganized Debtors shall not settle the Factory Claims for more than the scheduled amounts without the consent of the Liquidating Trustee, such consent not to be unreasonably withheld, or an order of the Bankruptcy Court.
- (iii) Subject to, and to the extent set forth in the Plan, the Confirmation Order, the Liquidating Trust Agreement or other agreement (or any other order of the Bankruptcy Court pursuant to, or in furtherance of, the Plan), the Liquidating Trust Agreement shall contain provisions customary to trust agreements utilized in comparable circumstances, including, without limitation, any and all provisions necessary to ensure the continued treatment of the Liquidating Trust as a grantor trust and the Liquidating Trust Beneficiaries as the grantors and owners thereof for federal income tax purposes. The Liquidating Trust Agreement may provide powers, duties, and authorities in addition to those explicitly stated herein, but only to the extent that such powers, duties, and authorities do not affect the status of the Liquidating Trust as a “liquidating trust” for United States federal income tax purposes.
- (iv) The Liquidating Trust has no objective to, and will not, engage in a trade or business and will conduct its activities consistent with the Plan and the Liquidating Trust Agreement.
- (v) On the Effective Date, the Liquidating Trustee, on behalf of the Debtors, shall execute the Liquidating Trust Agreement and shall take all other steps necessary to establish the Liquidating Trust pursuant to the Liquidating Trust Agreement and consistent with the Plan.

- (vi) The Liquidating Trust and the Liquidating Trustee will each be a representative of the Estates with respect to the Liquidating Trust Assets under Bankruptcy Code section 1123(b)(3)(B), and the Liquidating Trustee will be the trustee of the Liquidating Trust Assets for purposes of 31 U.S.C. § 3713(b) and 26 U.S.C. § 6012(b)(3), and, as such, the Liquidating Trustee succeeds to all of the rights, powers and obligations of a trustee in bankruptcy with respect to collecting, maintaining, administering and liquidating the Liquidating Trust Assets.
- (vii) On the Effective Date, and in accordance with sections 1123 and 1141 of the Bankruptcy Code and pursuant to the terms of the Plan, all title and interest in all of the Liquidating Trust Assets, as well as the rights and powers of each Debtor in such Liquidating Trust Assets, shall automatically vest in the Liquidating Trust, free and clear of all Claims and Interests for the benefit of the Liquidating Trust Beneficiaries. Upon the transfer of the Liquidating Trust Assets, the Debtors shall have no interest in or with respect to the Liquidating Trust Assets or the Liquidating Trust. Upon delivery of the Liquidating Trust Assets to the Liquidating Trust, the Debtors and their predecessors, successors and assigns, shall be discharged and released from all liability with respect to the delivery of such distributions and shall have no reversionary or further interest in or with respect to the Liquidating Trust Assets or the Liquidating Trust. Notwithstanding the foregoing, for purposes of section 553 of the Bankruptcy Code, the transfer of the Liquidating Trust Assets to the Liquidating Trust shall not affect the mutuality of obligations which otherwise may have existed prior to the effectuation of such transfer. Such transfer shall be exempt from any stamp, real estate transfer, mortgage reporting, sales, use, or other similar tax, pursuant to section 1146(a) of the Bankruptcy Code. The Liquidating Trustee shall agree to accept and hold the Liquidating Trust Assets in the Liquidating Trust for the benefit of the Liquidating Trust Beneficiaries, subject to the terms of the Plan and the Liquidating Trust Agreement.

(b) The Liquidating Trustee

The Liquidating Trustee will be the exclusive trustee of the Liquidating Trust Assets for purposes of 31 U.S.C. § 3713(b) and 26 U.S.C. § 6012(b)(3), as well as the representative of the Estate of each of the Debtors appointed pursuant to Bankruptcy Code section 1123(b)(3)(B). The duties and powers of the Liquidating Trustee shall include all powers necessary to implement the Plan and to administer the Liquidating Trust Assets, including, without limitation, the duties and powers listed within the Plan. The powers, rights and responsibilities of the Liquidating Trustee will be specified in the Liquidating Trust Agreement. The Liquidating Trustee will have the right and authority, without the need for Bankruptcy Court approval (unless otherwise indicated), to distribute the Liquidating Trust Assets and to carry out and implement other actions in accordance with the provisions of the Plan and the Liquidating Trust Agreement.

(c) Liquidating Trust Fee and Expense Procedures

In addition to the Liquidating Trust Assets, the Reorganized Debtors shall reimburse the Liquidating Trust for the Estate Fee and Expense Contribution, which amount shall be paid to the Liquidating Trust over a twenty-four (24) month period, in an amount not to exceed \$250,000 per quarter, within thirty (30) days of receipt by the Reorganized Debtors of detailed invoices from the Liquidating Trust.

All additional Liquidating Trust Expenses shall be paid out of the Liquidating Trust Assets, subject to the Liquidating Trust Fee and Expense Cap. The Liquidating Trustee, on behalf of the Liquidating Trust, may, without further order of the Bankruptcy Court, retain third party professionals to assist in carrying out its duties hereunder and may compensate and reimburse the expenses of these professionals without further order of the Bankruptcy Court from the Liquidating Trust Assets.

(d) Tax Treatment

The Liquidating Trust is intended to qualify as a liquidating trust within the meaning of Treasury Regulations section 301.7701-4(d), for the benefit of the Holders of Class 5A and Class 5B Claims entitled to distributions, and otherwise as one or more disputed ownership funds within the meaning of Treasury Regulations section 1.468B-9(b)(1). Accordingly, for all federal income tax purposes the transfer of the Liquidating Trust Assets to the Liquidating Trust will be treated as: (a) to the extent of pending payments, a transfer of the pending payments directly from the Debtors to the Holders of such Allowed Claims followed by the transfer of such pending payments by the Holders of Allowed Claims to the Liquidating Trust in exchange for rights to distributions from the Liquidating Trust; and (b) to the extent of amounts that are not pending payments, as a transfer to one or more disputed ownership funds. The Holders of Allowed Claims entitled to distributions will be treated for federal income tax purposes as the grantors and deemed owners of their respective shares of the Liquidating Trust Assets in the amounts of the pending payments and any earnings thereof. The Liquidating Trustee will be required by the Liquidating Trust Agreement to file federal tax returns for the Liquidating Trust as a grantor trust with respect to pending payments and as one or more disputed ownership funds with respect to all other funds or other property held by the Liquidating Trust pursuant to applicable Treasury Regulations, and any income of the Liquidating Trust will be treated as subject to tax on a current basis. The Liquidating Trust Agreement will provide that the Liquidating Trustee will pay such taxes from the Liquidating Trust Assets. The Liquidating Trust Agreement will provide that termination of the trust will occur no later than five years after the Effective Date, unless the Bankruptcy Court approves an extension upon a finding that such an extension is necessary for the Liquidating Trust to complete its aims.

(e) Indemnification

The Liquidating Trustee (and each of its agents and professionals) shall be indemnified in accordance with the terms of the Liquidating Trust Agreement.

3. Distributions on Account of Claims Allowed After the Effective Date

(a) Payments and Distributions on Disputed Claims

Except as otherwise provided in the Plan, a Final Order, or as agreed to by the relevant parties, distributions under the Plan on account of a Disputed Claim that becomes an Allowed Claim after the Effective Date shall be made on the first Periodic Distribution Date after the Disputed Claim becomes an Allowed Claim. Payments to Holders of Allowed General Unsecured Claims shall be made pursuant to the Liquidating Trust.

Except as otherwise provided in the Plan, Holders of Claims shall not be entitled to interest, dividends, or accruals on the distributions provided for in the Plan, regardless of whether such distributions are delivered on or at any time after the Effective Date.

(b) Special Rules for Distributions to Holders of Disputed Claims

Notwithstanding any provision otherwise in the Plan and except as otherwise agreed to by the relevant parties, no partial payments and no partial distributions shall be made with respect to a Disputed Claim until all such

disputes in connection with such Disputed Claim have been resolved by settlement or Final Order. In the event that there are Disputed Claims requiring adjudication and resolution, the Reorganized Debtors or Liquidating Trustee as applicable, shall establish appropriate reserves for potential payment of such Claims.

4. Timing and Calculation of Amounts to Be Distributed

Except as otherwise provided in the Plan, on the Initial Distribution Date (or if a Claim is not an Allowed Claim on the Effective Date, on or as soon as practicable after the date that such a Claim becomes an Allowed Claim), each Holder of an Allowed Claim against the Debtors shall receive the full amount of the distributions that the Plan provides for Allowed Claims in the applicable Class.

If and to the extent that there are Disputed Claims, distributions on account of any such Disputed Claims shall be made pursuant to the provisions set forth in the applicable class treatment or in Article VI of the Plan. Except as otherwise provided in the Plan, Holders of Claims shall not be entitled to interest, dividends, or accruals on the distributions provided for in the Plan, regardless of whether such distributions are delivered on or at any time after the Effective Date.

5. Delivery and Distributions and Undeliverable or Unclaimed Distributions

(a) Record Date for Distributions

On the Distribution Record Date, the Claims Register shall be closed and any party responsible for making distributions shall instead be authorized and entitled to recognize only those Holders of Claims listed on the Claims Register as of the close of business on the Distribution Record Date. If a Claim is transferred, and such transfer is properly filed, twenty (20) or fewer days before the Distribution Record Date, the Distribution Agent shall make distributions to the transferee only to the extent practical and, in any event, only if the relevant transfer form contains an unconditional and explicit certification and waiver of any objection to the transfer by the transferor.

(b) Delivery of Distributions in General

Except as otherwise provided in the Plan, the Debtors, the Reorganized Debtors or the Liquidating Trustee, as applicable shall make distributions to Holders of Allowed Claims at the address for each such Holder as indicated on the Debtors' records as of the date of any such distribution; provided, however, that the manner of such distributions shall be determined at the discretion of the Debtors, the Reorganized Debtors or the Liquidating Trustee, as applicable; and provided further, that the address for each Holder of an Allowed Claim shall be the address set forth in any Proof of Claim filed by that Holder.

(c) Delivery of Distributions to Prepetition Term Loan Claims

Except as set forth in Article VI.E of the Plan, the Prepetition Term Loan Agent shall be deemed to be the Holder of all Prepetition Term Claims, as applicable, for purposes of distributions to be made hereunder, and all distributions on account of such Prepetition Term Loan Claims shall be made to or on behalf of the Prepetition Term Loan Agent. The Prepetition Term Loan Agent shall hold or direct such distributions for the benefit of the Holders of Prepetition Term Loan Claims, as applicable. As soon as practicable following compliance with the requirements set forth in this Article VI of the Plan, the Prepetition Term Loan Agent shall arrange to deliver or direct the delivery of such distributions for which it is the deemed Holder to or on behalf of such Holders of Allowed Term Loan Claims. Notwithstanding anything in the Plan to the contrary, and without limiting the exculpation and release provisions of the Plan, the Prepetition Term Loan Agent shall not have any liability to any person with respect to distributions made or directed to be made by the Prepetition Term Loan Agent.

(d) Distributions by Distribution Agents (if any)

The Debtors, the Reorganized Debtors or the Liquidating Trustee, as applicable, shall have the authority, in their sole discretion, to enter into agreements with one or more Distribution Agents to facilitate the distributions required hereunder. To the extent the Debtors, the Reorganized Debtors and/or the Liquidating Trustee, as applicable, do determine to utilize a Distribution Agent to facilitate the distributions under the Plan to Holders of Allowed Claims, any such Distribution Agent would first be required to: (a) affirm its obligation to facilitate the

prompt distribution of any documents; (b) affirm its obligation to facilitate the prompt distribution of any recoveries or distributions required under the Plan; (c) waive any right or ability to setoff, deduct from or assert any lien or encumbrance against the distributions required under the Plan to be distributed by such Distribution Agent; and (d) post a bond, obtain a surety bond, or provide some other form of security for the performance of its duties, the costs and expenses of procuring which shall be borne by the Debtors, the Reorganized Debtors or the Liquidating Trust, as applicable; provided, however, that the Liquidating Trustee has the right to waive the requirement of a bond or other security for the Distribution Agent

The Debtors, the Reorganized Debtors or the Liquidating Trustee, as applicable, shall pay to the Distribution Agents all reasonable and documented fees and expenses of the Distribution Agents without the need for any approvals, authorizations, actions, or consents. The Distribution Agents shall submit detailed invoices to the Debtors, the Reorganized Debtors, or the Liquidating Trust as applicable, for all fees and expenses for which the Distribution Agent seeks reimbursement and the Debtors, the Reorganized Debtors or the Liquidating Trustee, as applicable, shall pay those amounts that they, in their sole discretion, deem reasonable, and shall object in writing to those fees and expenses, if any, that the Debtors, the Reorganized Debtors or the Liquidating Trustee, as applicable, deem to be unreasonable. In the event that the Debtors, the Reorganized Debtors or the Liquidating Trustee, as applicable, object to all or any portion of the amounts requested to be reimbursed in a Distribution Agent's invoice, the Debtors, the Reorganized Debtors or the Liquidating Trust, as applicable, and such Distribution Agent shall endeavor, in good faith, to reach mutual agreement on the amount of the appropriate payment of such disputed fees and/or expenses. In the event that the Debtors, the Reorganized Debtors or the Liquidating Trust, as applicable, and a Distribution Agent are unable to resolve any differences regarding disputed fees or expenses, either party shall be authorized to move to have such dispute heard by the Bankruptcy Court.

(e) Minimum Distributions

Notwithstanding anything herein to the contrary, the Reorganized Debtors or the Liquidating Trustee, as applicable, shall not be required to make distributions or payments of less than \$10 (whether Cash or otherwise) and shall not be required to make partial distributions or payments of fractions of dollars. Whenever any payment or distribution of a fraction of a dollar or fractional share of New Common Units under the Plan would otherwise be called for, the actual payment or distribution will reflect a rounding of such fraction to the nearest whole dollar or share of New Common Units (up or down), with half dollars and half shares of New Common Units or less being rounded down.

No Distribution Agent shall have any obligation to make a distribution on account of an Allowed Claim if: (a) the aggregate amount of all distributions authorized to be made on the Periodic Distribution Date in question is or has an economic value less than \$25,000, unless such distribution is a final distribution; or (b) the amount to be distributed to the specific Holder of an Allowed Claim on such Periodic Distribution Date does not constitute a final distribution to such Holder and is or has an economic value of less than \$10, which shall be treated as an undeliverable distribution under Article VI.E of the Plan.

(f) Undeliverable Distributions

(i) *Holding of Certain Undeliverable Distributions*

If any distribution to a Holder of an Allowed Claim made in accordance herewith is returned to the Reorganized Debtors or the Liquidating Trustee, as applicable (or their Distribution Agent) as undeliverable, no further distributions shall be made to such Holder unless and until the Reorganized Debtors or the Liquidating Trust, as applicable (or their Distribution Agent) are notified in writing of such Holder's then current address, at which time all currently due missed distributions shall be made to such Holder on the next Periodic Distribution Date. Undeliverable distributions shall remain in the possession of the Reorganized Debtors or the Liquidating Trust, as applicable, subject to Article VI.E of the Plan, until such time as any such distributions become deliverable. Undeliverable distributions shall not be entitled to any additional interest, dividends or other accruals of any kind on account of their distribution being undeliverable.

(ii) *Failure to Claim Undeliverable Distributions*

After the Effective Date, the Reorganized Debtors or the Liquidating Trustee, as applicable, shall file with the Bankruptcy Court a list of the Holders of undeliverable distributions. This list shall be maintained and updated periodically in the sole discretion of the Reorganized Debtors or the Liquidating Trustee, as applicable, for as long as the Chapter 11 Cases stay open. Any Holder of an Allowed Claim, irrespective of when a Claim becomes an Allowed Claim, that does not notify the Reorganized Debtors or the Liquidating Trust, as applicable, of such Holder's then current address in accordance herewith within 30 days of the filing of the list of undeliverable distributions, shall have its Claim for such undeliverable distribution discharged and shall be forever barred, estopped and enjoined from asserting any such Claim against the Reorganized Debtors or the Liquidating Trust, as applicable, or their property.

In such cases, (i) any Cash or New Common Units held for distribution on account of Allowed Claims shall be redistributed to Holders of Allowed Claims in the applicable Class on the next Periodic Distribution Date and (ii) any Cash held for distribution to other creditors shall be deemed unclaimed property under section 347(b) of the Bankruptcy Code and become property of the Reorganized Debtors, free of any Claims of such Holder with respect thereto. For the avoidance of doubt, any undeliverable distributions out of the Liquidating Trust shall be returned to the Liquidating Trust and will not go to the Reorganized Debtors. Nothing contained herein shall require the Reorganized Debtors or the Liquidating Trust, as applicable, to attempt to locate any Holder of an Allowed Claim.

(iii) *Failure to Present Checks*

Checks issued by the Distribution Agent on account of Allowed Claims shall be null and void if not negotiated within 180 days after the issuance of such check. In an effort to ensure that all Holders of Allowed Claims receive their allocated distributions, the Reorganized Debtors or the Liquidating Trustee, as applicable, shall file with the Bankruptcy Court a list of the Holders of any un-negotiated checks no later than 120 days after the issuance of such checks. This list shall be maintained and updated periodically in the sole discretion of the Reorganized Debtors or the Liquidating Trustee, as applicable, for as long as the Chapter 11 Cases stay open. Requests for reissuance of any check shall be made directly to the Distribution Agent by the Holder of the relevant Allowed Claim with respect to which such check originally was issued.

Any Holder of an Allowed Claim holding an un-negotiated check that does not request reissuance of such un-negotiated check within 160 days after the date of mailing or other delivery of such check shall have its Claim for such un-negotiated check discharged and be discharged and forever barred, estopped and enjoined from asserting any such Claim against the Reorganized Debtors or their property. In such cases, any Cash held for payment on account of such Claims shall be property of the Reorganized Debtors or the Liquidating Trust, as applicable, free of any Claims of such Holder with respect thereto. Nothing contained herein shall require the Reorganized Debtors to attempt to locate any Holder of an Allowed Claim.

6. Compliance with Withholding and Reporting Tax Requirements/Allocations

(a) Withholding Rights

In connection with the Plan, any party issuing any instrument or making any Distributions described in the Plan shall comply with all applicable withholding and reporting requirements imposed by any federal, state, or local taxing authority, and all Distributions pursuant to the Plan and all related agreements shall be subject to any such withholding or reporting requirements. In the case of a non-Cash Distribution that is subject to withholding, the distributing party may withhold an appropriate portion of such distributed property and either (i) sell such withheld property to generate Cash necessary to pay over the withholding tax (or reimburse the distributing party for any advance payment of the withholding tax), or (ii) pay the withholding tax using its own funds and retain such withheld property. Any amounts withheld pursuant to the preceding sentence shall be deemed to have been distributed to and received by the applicable recipient for all purposes of the Plan. Notwithstanding the foregoing, each holder of an Allowed Claim or any other Entity that receives a Distribution pursuant to the Plan shall have responsibility for any taxes imposed by any governmental unit, including, without limitation, income, withholding, and other taxes, on account of such Distribution. Any party issuing any instrument or making any Distribution pursuant to the Plan has the right, but not the obligation, not to make a Distribution until such holder has made arrangements satisfactory to such issuing or disbursing party for payment of any such tax obligations. Moreover, the Reorganized Debtors or the Liquidating Trustee, as applicable, reserve the right to allocate all distributions made

under the Plan in compliance with all applicable wage garnishments, alimony, child support and other spousal awards, liens, and encumbrances.

(b) Forms

Any party entitled to receive any property as an issuance or Distribution under the Plan shall, upon request, deliver to the Disbursing Agent or such other Entity designated by the Liquidating Trustee (which Entity shall subsequently deliver to the Disbursing Agent any applicable IRS Form W-8 or Form W-9 received) an appropriate Form W-9 or (if the payee is a foreign Entity) Form W-8. If such request is made by the Liquidating Trustee, the Disbursing Agent, or such other Entity designated by the Liquidating Trustee or Disbursing Agent and the holder fails to comply before the earlier of (i) the date that is one hundred and eighty (180) days after the request is made and (ii) the date that is one hundred and eighty (180) days after the date of Distribution, the amount of such Distribution shall irrevocably revert to the applicable Liquidating Trustee and any Claim in respect of such Distribution shall be discharged and forever barred from assertion against such Liquidating Trustee or its respective property.

(c) Allocation of Distributions between Principal and Interest

For tax purposes, distributions in full or partial satisfaction of Allowed Claims shall be allocated first to the principal amount of Allowed Claims, with any excess allocated to unpaid interest that accrued on such Claims.

7. Setoffs

Subject to Article IV of the Plan, the Debtors, the Reorganized Debtors or the Liquidating Trustee, as applicable, may withhold (but not setoff except as set forth below) from the distributions called for hereunder on account of any Allowed Claim an amount equal to any Claims, Equity Interests, rights, and Causes of Action of any nature that the Debtors, the Reorganized Debtors or the Liquidating Trust, as applicable, may hold against the Holder of any such Allowed Claim. In the event that any such Claims, Equity Interests, rights, and Causes of Action of any nature that the Debtors, the Reorganized Debtors or the Liquidating Trust, as applicable, may hold against the Holder of any such Allowed Claim are adjudicated by Final Order or otherwise resolved, the Debtors or the Liquidating Trustee may, pursuant to section 553 of the Bankruptcy Code or applicable non-bankruptcy law, set off against any Allowed Claim and the distributions to be made pursuant hereto on account of such Allowed Claim (before any distribution is made on account of such Allowed Claim), the amount of any adjudicated or resolved Claims, Equity Interests, rights, and Causes of Action of any nature that the Debtors, the Reorganized Debtors or the Liquidating Trust, as applicable, may hold against the Holder of any such Allowed Claim, but only to the extent of such adjudicated or resolved amount. Neither the failure to effect such a setoff nor the allowance of any Claim hereunder shall constitute a waiver or release by the Debtors, the Reorganized Debtors or the Liquidating Trust, as applicable, of any such Claims, Equity Interests, rights, and Causes of Action that the Debtors, the Reorganized Debtors or the Liquidating Trust, as applicable may possess against any such Holder, except as specifically provided herein. Notwithstanding anything to the contrary in this Second Amended Plan, nothing in the Second Amended Plan or in any Order approving or confirming the Second Amended Plan shall modify the rights, if any, of any creditor of any Debtor to assert any right of recoupment that such creditor may have under applicable bankruptcy or non-bankruptcy law.

8. Foreign Currency Exchange Rate

Except as otherwise provided in a Bankruptcy Court order, as of the Effective Date, any Claim asserted in currency other than U.S. dollars shall be automatically deemed converted to the equivalent U.S. dollar value using the exchange rate for the applicable currency as published in *The Wall Street Journal*, National Edition, on the Petition Date.

9. Claims Paid or Payable by Third Parties

(a) Claims Paid by Third Parties

The Debtors, the Reorganized Debtors or the Liquidating Trustee, as applicable, shall reduce in full a Claim, and such Claim shall be disallowed without a Claims objection having to be filed and without any further

notice to or action, order, or approval of the Bankruptcy Court, to the extent that the Holder of such Claim receives payment in full on account of such Claim from a party that is not a Debtor, Reorganized Debtor or the Liquidating Trust. Subject to the last sentence of this paragraph, to the extent a Holder of a Claim receives a distribution from the Debtors, Reorganized Debtors or the Liquidating Trust, as applicable, on account of such Claim and also receives payment from a party that is not a Debtor, a Reorganized Debtor or the Liquidating Trust on account of such Claim, such Holder shall, within two weeks of receipt thereof, repay or return the distribution to the applicable Reorganized Debtor or the Liquidating Trust, to the extent the Holder's total recovery on account of such Claim from the third party and under the Plan exceeds the total amount of such Claim as of the date of any such distribution under the Plan.

If the Debtors become aware of the payment by a third party, the Debtors, Reorganized Debtors or the Liquidating Trustee, as applicable, will send a notice of wrongful payment to such party requesting return of any excess payments and advising the recipient of the provisions of the Plan requiring turnover of excess estate funds. The failure of such Holder to timely repay or return such distribution shall result in the Holder owing the applicable Reorganized Debtor or the Liquidating Trust annualized interest at the Federal Judgment Rate on such amount owed for each Business Day after the two-week grace period specified above until the amount is repaid.

(b) Claims Payable by Third Parties

No distributions under the Plan shall be made on account of an Allowed Claim that is payable pursuant to one of the Debtors' Insurance Policies until the Holder of such Allowed Claim has exhausted all remedies with respect to such Insurance Policy. To the extent that one or more of the Debtors' insurers agrees to satisfy in full or in part a Claim (if and to the extent adjudicated by a court of competent jurisdiction), then immediately upon such insurers' agreement, the applicable portion of such Claim may be expunged without a Claims objection having to be filed and without any further notice to or action, order, or approval of the Bankruptcy Court.

(c) Applicability of Insurance Policies

Except as otherwise provided in the Plan, distributions to Holders of Allowed Claims shall be made in accordance with the provisions of any applicable Insurance Policy. Nothing contained in the Plan shall constitute or be deemed a waiver of any Cause of Action that the Debtors or any Entity may hold against any other Entity, including any insurer(s) under any Insurance Policy, nor shall anything contained herein constitute or be deemed a waiver by such insurers of any rights or defenses, including coverage defenses, held by such insurers under the Insurance Policies.

G. RESOLUTION OF CONTINGENT, UNLIQUIDATED, OR DISPUTED CLAIMS

1. Allowance of Claims

After the Effective Date, the Reorganized Debtors or the Liquidating Trust shall have and retain any and all rights and defenses the Debtors had with respect to any Claim or Interest immediately before the Effective Date.

2. Claims Administration Responsibilities

Except as set forth in Article VI.B of the Plan regarding the Liquidating Trust, or as otherwise set forth in the Plan, after the Effective Date, the Reorganized Debtors shall have the sole authority: (1) to file, withdraw, or litigate to judgment objections to Claims or Interests; (2) to settle or compromise any Disputed Claim without any further notice to or action, order, or approval by the Bankruptcy Court; and (3) to administer and adjust the Claims Register to reflect any such settlements or compromises without any further notice to or action, order, or approval by the Bankruptcy Court.

3. Estimation of Claims

Before or after the Effective Date, the Debtors, Reorganized Debtors, or Liquidating Trustee, as applicable, may (but are not required to) at any time request that the Bankruptcy Court estimate any Claim that is contingent or unliquidated pursuant to section 502(c) of the Bankruptcy Code for any reason, regardless of whether any party previously has objected to such Claim or Interest or whether the Bankruptcy Court has ruled on any such objection,

and the Bankruptcy Court shall retain jurisdiction to estimate any such Claim or Interest, including during the litigation of any objection to any Claim or Interest or during the appeal relating to such objection. Notwithstanding any provision otherwise in the Plan, a Claim that has been expunged from the Claims Register, but that either is subject to appeal or has not been the subject of a Final Order, shall be deemed to be estimated at zero dollars, unless otherwise ordered by the Bankruptcy Court. In the event that the Bankruptcy Court estimates any contingent or unliquidated Claim or Interest, that estimated amount shall constitute a maximum limitation on such Claim or Interest for all purposes under the Plan (including for purposes of distributions), and the relevant Reorganized Debtor may elect to pursue any supplemental proceedings to object to any ultimate distribution on such Claim or Interest.

4. Adjustment to Claims Without Objection

Any Claim or Interest that has been paid or satisfied, or any such Claim or Interest that has been cancelled, or otherwise expunged (including pursuant to the Plan), may be adjusted or expunged (including on the Claims Register, to the extent applicable) by the Reorganized Debtors or the Liquidating Trustee, as applicable, without a Claims objection having to be filed and without any further notice to or action, order or approval of the Bankruptcy Court.

5. Time to File Objections to Claims

Any objections to Claims shall be filed on or before the Claims Objection Bar Date.

6. Disallowance of Claims

All Claims filed on account of an Indemnification Obligation to a director, officer, or employee shall be deemed satisfied and expunged from the Claims Register as of the Effective Date to the extent such Indemnification Obligation is assumed (or honored or reaffirmed, as the case may be) pursuant to the Plan, without any further notice to or action, order, or approval of the Bankruptcy Court.

Except as provided in the Plan or otherwise agreed, any and all Proofs of Claim filed after the Claims Bar Date shall be deemed disallowed and expunged as of the Effective Date without any further notice to or action, order, or approval of the Bankruptcy Court, and Holders of such Claims may not receive any distributions on account of such Claims, unless on or before the Confirmation Hearing such late Claim has been deemed timely filed by a Final Order.

7. No Distribution Pending Allowance

If an objection to a Claim or portion thereof is filed as set forth in Article VII.E of the Plan, no payment or distribution provided under the Plan shall be made on account of such Claim or portion thereof unless and until such Disputed Claim becomes an Allowed Claim.

8. Distribution After Allowance

To the extent that a Disputed Claim ultimately becomes an Allowed Claim, distributions (if any) shall be made to the Holder of such Allowed Claim in accordance with the provisions of the Plan. As soon as practicable after the date that the order or judgment of the Bankruptcy Court allowing any Disputed Claim becomes a Final Order, the Distribution Agent shall provide to the Holder of such Claim the distribution (if any) to which such Holder is entitled under the Plan as of the Effective Date, without any interest, dividends, or accruals to be paid on account of such Claim unless required under applicable bankruptcy law.

H. THE DEBTOR RELEASE, THIRD-PARTY RELEASE, INJUNCTION, AND EXCULPATION

1. Compromise and Settlement

Pursuant to section 363 of the Bankruptcy Code and Bankruptcy Rule 9019 and in consideration for the distributions and other benefits provided pursuant to the Plan, the provisions of the Plan shall constitute a good faith compromise of all Claims, Interests, and controversies relating to the contractual, legal, and subordination rights that a Holder of a Claim may have with respect to any Allowed Claim or Interest, or any distribution to be made on

account of such Allowed Claim or Interest. The entry of the Confirmation Order shall constitute the Bankruptcy Court's approval of the compromise or settlement of all such Claims, Interests, and controversies, as well as a finding by the Bankruptcy Court that such compromise or settlement is in the best interests of the Debtors, their Estates, and Holders of Claims and Interests and is fair, equitable, and reasonable. In accordance with the provisions of the Plan, pursuant to section 363 of the Bankruptcy Code and Bankruptcy Rule 9019(a), without any further notice to or action, order, or approval of the Bankruptcy Court, after the Effective Date, the Reorganized Debtors may compromise and settle Claims against them and Causes of Action against other Entities.

2. Subordinated Claims

The allowance, classification, and treatment of all Allowed Claims and Equity Interests and the respective distributions and treatments under the Plan take into account and conform to the relative priority and rights of the Claims and Equity Interests in each Class in connection with any contractual, legal, and equitable subordination rights relating thereto, whether arising under general principles of equitable subordination, section 510(b) of the Bankruptcy Code, or otherwise. Pursuant to section 510 of the Bankruptcy Code, the Reorganized Debtors reserve the right to re-classify any Allowed Claim or Interest in accordance with any contractual, legal or equitable subordination relating thereto.

3. Discharge of Claims and Termination of Equity Interests

Pursuant to and to the fullest extent permitted by section 1141(d) of the Bankruptcy Code, and except as otherwise specifically provided in the Plan, the distributions, rights and treatment that are provided in the Plan shall be in full and final satisfaction, settlement, release and discharge, effective as of the Effective Date, of all Claims (including any Intercompany Claims resolved or compromised after the Effective Date by the Reorganized Debtors), Equity Interests, and Causes of Action of any nature whatsoever, including any interest accrued on Claims or Equity Interests from and after the Petition Date, whether known or unknown, against, liabilities of, liens on, obligations of, rights against, and Equity Interests in, the Debtors, the Reorganized Debtors, or any of their assets or properties, regardless of whether any property shall have been distributed or retained pursuant to the Plan on account of such Claims and Equity Interests, including demands, liabilities, and Causes of Action that arose before the Effective Date, any liability (including withdrawal liability) to the extent such Claims or Equity Interests relate to services performed by current or former employees of the Debtors prior to the Effective Date and arise from a termination of employment or a termination of any employee or retiree benefit program regardless of whether such termination occurred prior to or after the Effective Date, any contingent or non-contingent liability on account of representations or warranties issued on or before the Effective Date, and all debts of the kind specified in sections 502(g), 502(h), or 502(i) of the Bankruptcy Code, in each case whether or not: (1) a Proof of Claim or Interest based upon such Claim, debt, right, or Interest is filed or deemed filed pursuant to section 501 of the Bankruptcy Code; (2) a Claim or Interest based upon such Claim, debt, right, or Interest is Allowed pursuant to section 502 of the Bankruptcy Code; or (3) the Holder of such a Claim or Interest has accepted the Plan. Except as otherwise provided herein, any default by the Debtors or their Affiliates with respect to any Claim or Interest that existed immediately prior to or on account of the filing of the Chapter 11 Cases shall be deemed cured on the Effective Date. The Confirmation Order shall be a judicial determination of the discharge of all Claims and Equity Interests subject to the occurrence of the Effective Date.

4. Release of Liens

Except as otherwise provided in the Plan or in any contract, instrument, release or other agreement or document entered into or delivered in connection with the Plan, on the Effective Date and concurrently with the applicable distributions made pursuant to Article III of the Plan and, in the case of a Secured Claim, satisfaction in full of the portion of the Secured Claim that is Allowed as of the Effective Date, all mortgages, deeds of trust, liens, pledges or other security interests against any property of the Estates shall be fully released and discharged, and all of the right, title, and interest of any Holder of such mortgages, deeds of trust, liens, pledges, or other security interests shall revert to the Reorganized Debtors and their successors and assigns.

5. Debtor Release

Pursuant to section 1123(b) of the Bankruptcy Code, and except as otherwise specifically provided in the Plan, for good and valuable consideration, including the service of the Released Parties in facilitating the

expeditious reorganization of the Debtors and the implementation of the restructuring contemplated by the Plan, effective as of the Effective Date, the Debtors, the Reorganized Debtors, and any Person seeking to exercise the rights of the Estates, including, without limitation, any successor to the Debtors or any estate representative appointed or selected pursuant to section 1123(b)(3) of the Bankruptcy Code shall be deemed to forever release, waive, and discharge the Released Parties of any and all claims, obligations, rights, suits, damages, Causes of Action, remedies, and liabilities whatsoever, including any derivative claims asserted on behalf of the Debtors, whether known or unknown, foreseen or unforeseen, liquidated or unliquidated, contingent or fixed, existing or hereafter arising, in law, at equity or otherwise, whether for tort, contract, violations of federal or state securities laws or otherwise, including, without limitation, those that any of the Debtors, the Reorganized Debtors, the Estates, or their Affiliates would have been legally entitled to assert in their own right (whether individually or collectively) or on behalf of the Holder of any claim or Equity Interest, based on or relating to, or in any manner arising from, in whole or in part, the Debtors, the Estates, the conduct of the Debtors' businesses, the Chapter 11 Cases, the Canadian Proceedings, the purchase, sale, or rescission or the purchase or sale of any security of the Debtors or the Reorganized Debtors, the subject matter of, or the transactions or events giving rise to, any Claim or Equity Interest that is treated in the Plan, the business or contractual arrangements between any of the Debtors and any Released Party, the restructuring of claims and Equity Interests prior to or in the Chapter 11 Cases, the negotiation, formulation, or preparation of the Plan, the Plan Supplement, the Disclosure Statement, or related agreements, instruments, or other documents, or upon any other act or omission, transaction, or occurrence relating to the foregoing taking place on or before the Effective Date of the Plan.

Notwithstanding anything to the contrary herein, the "Debtor Release" shall not operate to waive or release any claim, obligation, right, suit, damage, Cause of Action, remedy, or liability, of or owed to any Debtor: (1) arising under the Plan and any contract, instrument, agreement, release, or document delivered pursuant to the Plan or (2) against Aero AG Holdings, LLC (i) for services provided by any Debtor to Aero AG Holdings, LLC or expenses incurred by any Debtor on behalf of Aero AG Holdings, LLC or (ii) related to the Martha Stewart License Agreement.

The parties acknowledge that the compromise and release of direct and estate causes of action against the Released Parties under the Plan results in the distributions available to unsecured creditors.

Any claims or causes of action to avoid a transfer of property or an obligation incurred by the Debtors arising under chapter 5 of the Bankruptcy Code, including sections 544, 545, 547, 548, 549, 551 and 553(b) of the Bankruptcy Code, shall be retained by the Reorganized Debtors except as provided in Article VI.B of the Plan or to the extent expressly released under the Plan.

Entry of the Confirmation Order shall constitute the Bankruptcy Court's approval, pursuant to Bankruptcy Rule 9019, of the Debtor Release, which includes by reference each of the related provisions and definitions contained herein, and further, shall constitute the Bankruptcy Court's finding that the Debtor Release is: (1) in exchange for the good and valuable consideration provided by the Released Parties; (2) a good faith settlement and compromise of the claims released by the Debtor Release; (3) in the best interests of the Debtors and all Holders of Claims and Equity Interests; (4) fair, equitable and reasonable; (5) given and made after reasonable investigation by the Debtors and after notice and opportunity for hearing; and (6) a bar to any of the Debtors or the Reorganized Debtors asserting any claim released by the Debtor Release against any of the Released Parties.

Notwithstanding the above, the Liquidating Trust may assert any Claim or defense of any Debtor or Reorganized Debtor whether or not such claim or defense is otherwise waived or released above as a defense or counterclaim against any General Unsecured Claim, solely to the extent such Claim or defense relates to such General Unsecured Claim; provided, however, that the Liquidating Trust may only assert such Claim or defense defensively to reduce such General Unsecured Claim and may not seek an affirmative recovery against such Holder of a General Unsecured Claim on account of such Claim or defense.

No provision herein shall limit the rights of Aero AG Holdings, LLC to interpose any Claim it has against the Debtors, or any of them, as a defense, to the extent applicable, to any claim asserted by the

Debtors or Reorganized Debtors, or any of them, against Aero AG Holdings, LLC, including without limitation under theories of setoff or recoupment.

6. Third-Party Release

Except as otherwise specifically provided in the Plan, for good and valuable consideration, including the service of the Released Parties in facilitating the expeditious reorganization of the Debtors and the implementation of the restructuring contemplated by the Plan, effective as of the Effective Date, the Releasing Parties as defined in the Plan (regardless of whether a Releasing Party is a Released Party) shall be deemed to forever release, waive, and discharge the Released Parties of any and all claims, obligations, rights, suits, damages, Causes of Action, remedies, and liabilities whatsoever, including any derivative claims asserted on behalf of a Debtor, whether known or unknown, foreseen or unforeseen, liquidated or unliquidated, contingent or fixed, existing or hereafter arising, in law, at equity, or otherwise, whether for tort, contract, violations of federal or state securities laws or otherwise, including, without limitation, those that any of the Debtors, the Reorganized Debtors, the Estates, or their Affiliates would have been legally entitled to assert in their own right (whether individually or collectively) or on behalf of the Holder of any Claim or Equity Interest, based on or relating to, or in any manner arising from, in whole or in part, the Debtors, the Estates, the conduct of the Debtors' businesses, the Chapter 11 Cases, the Canadian Proceedings, the purchase, sale, or rescission or the purchase or sale of any security of the Debtors or the Reorganized Debtors, the subject matter of, or the transactions or events giving rise to, any Claim or Equity Interest that is treated in the Plan, the business or contractual arrangements between any of the Debtors and any Released Party, the restructuring of Claims and Equity Interests prior to or in the Chapter 11 Cases, the negotiation, formulation, or preparation of the Plan, the Plan Supplement, the Disclosure Statement, or related agreements, instruments, or other documents, or upon any other act or omission, transaction, or occurrence relating to the foregoing taking place on or before the Effective Date of the Plan.

Notwithstanding anything contained herein to the contrary, the foregoing release does not release any post-Effective Date obligations of any party under the CA Credit Agreement and related loan documents, the Plan or any document, instrument, or agreement (including those set forth in the Plan Supplement) executed to implement the Plan.

Entry of the Confirmation Order shall constitute the Bankruptcy Court's approval, pursuant to Bankruptcy Rule 9019, of the Third-Party Release, which includes by reference each of the related provisions and definitions contained herein, and further, shall constitute the Bankruptcy Court's finding that the Third-Party Release is: (1) in exchange for the good and valuable consideration provided by the Released Parties; (2) a good faith settlement and compromise of the claims released by the Releasing Parties; (3) in the best interests of the Debtors and all Holders of Claims and Equity Interests; (4) fair, equitable and reasonable; (5) given and made after notice and opportunity for hearing; and (6) a bar to any of the Releasing Parties asserting any Claim released by the Third-Party Release against any of the Released Parties.

7. Exculpation

Upon and effective as of the Effective Date, the Debtors and their directors, officers, employees, attorneys, investment bankers, financial advisors, restructuring consultants, and other professional advisors and agents will be deemed to have solicited acceptances of the Plan in good faith and in compliance with the applicable provisions of the Bankruptcy Code, including section 1125(e) of the Bankruptcy Code.

Except with respect to any acts or omissions expressly set forth in and preserved by the Plan, the Plan supplement, or related documents, the Exculpated Parties shall neither have nor incur any liability to any Entity for any prepetition or postpetition act taken or omitted to be taken in connection with, or arising from or relating in any way to, the Chapter 11 Cases or the Canadian Proceedings, including, without limitation, the operation of the Debtors' businesses during the pendency of these Chapter 11 Cases; formulating, negotiating, preparing, disseminating, implementing, and/or effecting the DIP Documents, the Disclosure Statement, and the Plan (including the Plan Supplement and any related contract, instrument, release, or other agreement or document created or entered into in connection therewith); the solicitation of votes for the Plan and the pursuit of Confirmation and Consummation of the Plan; the administration of the

Plan and/or the property to be distributed under the Plan; the offer and issuance of any securities under the Plan; and/or any other prepetition or postpetition act taken or omitted to be taken in connection with or in contemplation of the restructuring of the Debtors. In all respects, each Exculpated Party shall be entitled to rely upon the advice of counsel concerning his, her, or its respective duties under, pursuant to, or in connection with, the Plan.

8. Injunction

The satisfaction, release, and discharge pursuant to Article IX of the Plan shall also act as an injunction against any Person commencing or continuing any action, employment of process or act to collect, offset, or recover any claim or Cause of Action satisfied, released, or discharged under the Plan or the Confirmation Order to the fullest extent authorized or provided by the Bankruptcy Code, including, without limitation, to the extent provided for or authorized by sections 524 and 1141 thereof.

I. MODIFICATION, REVOCATION, OR WITHDRAWAL OF THE PLAN

1. Modification of Plan

Subject to the limitations contained in the Plan: (1) the Debtors reserve the right, with the consent of the Requisite Lender Plan Support Parties and the Creditors' Committee, and in accordance with the Bankruptcy Code and the Bankruptcy Rules, to amend or modify the Plan prior to the entry of the Confirmation Order, including amendments or modifications to satisfy section 1129(b) of the Bankruptcy Code; and (2) after the entry of the Confirmation Order, the Debtors or the Reorganized Debtors, as the case may be, may, upon the order of the Bankruptcy Court, amend or modify the Plan, in accordance with section 1127(b) of the Bankruptcy Code, or remedy any defect or omission or reconcile any inconsistency in the Plan in such manner as may be necessary to carry out the purpose and intent of the Plan.

2. Effect of Confirmation on Modifications

Entry of a Confirmation Order shall mean that all modifications or amendments to the Plan since the solicitation thereof are approved pursuant to section 1127(a) of the Bankruptcy Code and do not require additional disclosure or resolicitation under Bankruptcy Rule 3019.

3. Revocation of Plan

The Debtors reserve the right to revoke or withdraw the Plan prior to the entry of the Confirmation Order and to file subsequent plans of reorganization. If the Debtors revoke or withdraw the Plan, or if entry of the Confirmation Order or the Effective Date does not occur, then: (1) the Plan shall be null and void in all respects; (2) any settlement or compromise embodied in the Plan, assumption or rejection of Executory Contracts or Unexpired Leases effected by the Plan, and any document or agreement executed pursuant hereto shall be deemed null and void; and (3) nothing contained in the Plan shall: (a) constitute a waiver or release of any claims by or against, or any Equity Interests in, such Debtor or any other Entity; (b) prejudice in any manner the rights of the Debtors or any other Entity; or (c) constitute an admission of any sort by the Debtors or any other Entity.

J. IMPORTANT SECURITIES LAW DISCLOSURE

1. General Disclosure

Section 1145(a)(1) of the Bankruptcy Code exempts the offer and sale of securities under a plan of reorganization from registration under section 5 of the Securities Act and state laws if three principal requirements are satisfied: (a) the securities must be issued "under a plan" of reorganization by the debtor or its successor under a plan or by an affiliate participating in a joint plan of reorganization with the debtor; (b) the recipients of the securities must hold a claim against, an interest in, or a claim for administrative expenses in the case concerning the debtor or such affiliate; and (c) the securities must be issued in exchange for the recipient's claim against or interest in the debtor, or such affiliate, or "principally" in such exchange and "partly" for cash or property. In reliance upon this exemption, the Debtors believe that the offer and sale, under the Plan of the New Common Units will be exempt from registration under the Securities Act and Blue Sky Laws with respect to any such Holder who is not deemed to

be an “underwriter” as defined in section 1145(b) of the Bankruptcy Code. Accordingly, such New Common Units may be resold without registration under the Securities Act, unless the holder is an “underwriter” (as discussed below) with respect to such securities, as that term is defined in 1145 of the Bankruptcy Code. In addition, such New Common Units governed by section 1145 of the Bankruptcy Code generally may be able to be resold without registration under applicable Blue Sky Laws pursuant to various exemptions provided by the respective securities laws of those states; however, the availability of such exemptions cannot be known unless individual Blue Sky Laws are examined.

Section 1145(b)(1) of the Bankruptcy Code defines an “underwriter” as one who, except with respect to “ordinary trading transactions” of an entity that is not an “issuer”:

- purchases a claim against, an interest in, or a claim for an administrative expense against the debtor, if that purchase is with a view to distributing any security received in exchange for such a Claim or Interest;
- offers to sell securities offered under a plan of reorganization for the Holders of those securities;
- offers to buy those securities from the Holders of the securities, if the offer to buy is (i) with a view to distributing those securities; and (ii) under an agreement made in connection with the plan of reorganization, the completion of the plan of reorganization, or with the offer or sale of securities under the plan of reorganization; or
- is an issuer with respect to the securities, as the term “issuer” is defined in section 2(a)(11) of the Securities Act.

In addition, a Person who receives a fee in exchange for purchasing an issuer’s securities could also be considered an underwriter within the meaning of section 2(a)(11) of the Securities Act. You should confer with your own legal advisors to help determine whether or not you are an “underwriter.”

The definition of an “issuer” for purposes of whether a Person is an underwriter under section 1145(b)(1)(D) of the Bankruptcy Code, by reference to section 2(a)(11) of the Securities Act, includes as “statutory underwriters” all persons who, directly or indirectly, through one or more intermediaries, control, are controlled by, or are under common control with, an issuer of securities. The reference to “issuer,” as used in the definition of “underwriter” contained in section 2(a)(11) of the Securities Act, is intended to cover “Controlling Persons” of the issuer of the securities. “Control,” as defined in Rule 405 of the Securities Act, means the possession, directly or indirectly, of the power to direct or cause the direction of the management and policies of a Person, whether through the ownership of voting securities, by contract, or otherwise. Accordingly, an officer or director of a reorganized debtor or its successor under a plan of reorganization may be deemed to be a “Controlling Person” of the debtor or successor, particularly if the management position or directorship is coupled with ownership of a significant percentage of the reorganized debtors’ or its successor’s voting securities. In addition, the legislative history of section 1145 of the Bankruptcy Code suggests that a creditor who owns 10% or more of a class of securities of a reorganized debtor may be presumed to be a “Controlling Person” and, therefore, an underwriter.

Resales of the New Common Units issued to Holders deemed to be “underwriters” (which definition includes “Controlling Persons”) are not exempted by section 1145 of the Bankruptcy Code from registration under the Securities Act or other applicable law. Under certain circumstances, Holders of such New Common Units who are deemed to be “underwriters” may be entitled to resell their New Common Units pursuant to the limited safe harbor resale provisions of Rule 144 of the Securities Act. Generally, Rule 144 of the Securities Act would permit the public sale of securities received by such Person if the required holding period has been met and, under certain circumstances, current information regarding the issuer is publicly available and volume limitations, manner of sale requirements and certain other conditions are met. Whether any particular Person would be deemed to be an “underwriter” (including whether the Person is a “Controlling Person”) with respect to such New Common Units would depend upon various facts and circumstances applicable to that Person. Accordingly, the Debtors express no view as to whether any Person would be deemed an “underwriter” with respect to the New Common Units issued to Holders and, in turn, whether any Person may freely resell such New Common Units.

2. Management Incentive Plan

Pursuant to the Plan, promptly on or as soon as practicable after the Effective Date, the New Board will adopt and implement the Management Incentive Plan, the terms of which shall be in form and substance acceptable to the Requisite Lender Plan Support Parties and approved by the New Board. The New Board will determine the number of New Incentive Units to be available for award under the Management Incentive Plan and the allocation of New Incentive Units, if any.

PERSONS WHO RECEIVE SECURITIES UNDER THE PLAN ARE URGED TO CONSULT THEIR OWN LEGAL ADVISOR WITH RESPECT TO THE RESTRICTIONS APPLICABLE UNDER THE FEDERAL OR STATE SECURITIES LAWS AND THE CIRCUMSTANCES UNDER WHICH SECURITIES MAY BE SOLD IN RELIANCE ON SUCH LAWS.

THE FOREGOING SUMMARY DISCUSSION IS GENERAL IN NATURE AND HAS BEEN INCLUDED IN THIS DISCLOSURE STATEMENT SOLELY FOR INFORMATIONAL PURPOSES. WE MAKE NO REPRESENTATIONS CONCERNING, AND DO NOT PROVIDE, ANY OPINIONS OR ADVICE WITH RESPECT TO THE SECURITIES OR THE BANKRUPTCY MATTERS DESCRIBED IN THIS DISCLOSURE STATEMENT. IN LIGHT OF THE UNCERTAINTY CONCERNING THE AVAILABILITY OF EXEMPTIONS FROM THE RELEVANT PROVISIONS OF FEDERAL AND STATE SECURITIES LAWS, WE ENCOURAGE EACH HOLDER AND PARTY-IN-INTEREST TO CONSIDER CAREFULLY AND CONSULT WITH ITS OWN LEGAL ADVISORS WITH RESPECT TO ALL SUCH MATTERS. BECAUSE OF THE COMPLEX, SUBJECTIVE NATURE OF THE QUESTION OF WHETHER A SECURITY IS EXEMPT FROM THE REGISTRATION REQUIREMENTS UNDER THE FEDERAL OR STATE SECURITIES LAWS OR WHETHER A PARTICULAR HOLDER MAY BE AN UNDERWRITER, WE MAKE NO REPRESENTATION CONCERNING THE ABILITY OF A PERSON TO DISPOSE OF THE SECURITIES ISSUED UNDER THE PLAN.

V.

VALUATION AND FINANCIAL PROJECTIONS

THE VALUATIONS SET FORTH HEREIN REPRESENT ESTIMATED DISTRIBUTABLE VALUE AND DO NOT NECESSARILY REFLECT VALUES THAT COULD BE ATTAINABLE IN THE PUBLIC OR PRIVATE MARKETS. THE VALUE OF THE NEW COMMON UNITS DOES NOT PURPORT TO BE AN ESTIMATE OF THE POST-REORGANIZATION MARKET VALUE.

A. ESTIMATION OF PAYLESS' ENTERPRISE VALUE

In connection with developing the Plan, the Debtors directed Solomon to perform various indicative financial analyses to assess the estimated enterprise value of Payless on a going-concern basis upon emergence from chapter 11 pursuant to the Plan. A summary of Solomon's estimation of Payless' enterprise value is attached hereto as **Exhibit F** (the "Estimation of Payless' Enterprise Value").

The Estimation of Payless' Enterprise Value is subject to various important qualifiers and assumptions that are set forth in **Exhibit F**.

B. FINANCIAL PROJECTIONS

As discussed more fully in Article VII.A.5 herein, the Debtors believe the Plan meets the feasibility requirement set forth in section 1129(a)(11) of the Bankruptcy Code, as Confirmation is not likely to be followed by liquidation or the need for further financial reorganization of the Reorganized Debtors. In connection with developing the Plan, and for purposes of determining whether the Plan satisfies the "feasibility" standard, the Debtors, with the assistance of Ankura, prepared the financial projections for the fiscal years of 2019 through 2021 set forth on **Exhibit D** (the "Financial Projections"). In general, as illustrated by the Financial Projections, the Debtors believe that with a significantly de-leveraged capital structure, the Reorganized Debtors will operate a successful business with sufficient liquidity to fund obligations as they arise, thereby maintaining value. Accordingly, the Debtors believe the Plan satisfies the feasibility requirement of section 1129(a)(11) of the Bankruptcy Code.

The Financial Projections are subject to various important qualifiers and assumptions that are set forth in the Financial Projections.

No representations can be made as to the accuracy of the Financial Projections or the Reorganized Debtors' ability to achieve the projected results. Therefore, the Financial Projections may not be relied upon as a guaranty or other assurance of the actual results that will occur. The inclusion of the Financial Projections herein should not be regarded as an indication that the Debtors considered or consider the Financial Projections to reliably predict future performance.

The Financial Projections are subjective in many respects, and thus are susceptible to interpretations and periodic revisions based on actual experience and recent developments. The Debtors do not intend to update or otherwise revise the Financial Projections to reflect the occurrence of future events, even in the event that assumptions underlying the Financial Projections are not borne out. The Financial Projections should be read in conjunction with the assumptions and qualifications set forth herein.

C. LIQUIDATION ANALYSIS

As discussed more fully in Article VII.A.4, hereof, the Debtors believe that the Plan satisfies the "best interests" test of section 1129(a)(7) of the Bankruptcy Code. In connection with developing the Plan, and for purposes of determining whether the Plan satisfies the "best interest" test, the Debtors, with the assistance of Solomon and Ankura, prepared the Liquidation Analysis attached here to as **Exhibit E** (the "Liquidation Analysis"). In general, as illustrated by the Liquidation Analysis, the Debtors believe that the Plan provides all Holders of a Claim or Interest property of a value that is equal to or greater than such Holder would receive in a liquidation.

The Liquidation Analysis is subject to various important qualifiers and assumptions that are set forth in the Liquidation Analysis.

VI.
SOLICITATION AND VOTING PROCEDURES

On October 16, 2019, the Bankruptcy Court entered the Disclosure Statement Order by which the Bankruptcy Court approved, among other things, procedures and documents for the solicitation of acceptances on the Plan, certain key dates and deadlines relating to the voting and Confirmation and procedures for tabulating votes. For purposes of this Article VI, capitalized terms used but not defined herein shall have the meaning ascribed to such terms in the Disclosure Statement Order. The procedures and instructions for voting on the Plan are set forth in the exhibits annexed to the Disclosure Statement Order. The Disclosure Statement Order is incorporated herein by reference and should be read in conjunction with this Disclosure Statement and in formulating a decision to vote to accept or reject the Plan.

This discussion of the Solicitation and Voting PROCESS is a summary.

PLEASE REFER TO THE DISCLOSURE STATEMENT ORDER ATTACHED AS **EXHIBIT c**
FOR A MORE COMPREHENSIVE DISCUSSION OF THE SOLICITATION AND VOTING PROCESS.

1. Solicitation Packages

Pursuant to the Disclosure Statement Order, Holders of Claims who are eligible to vote to accept or reject the Plan will receive appropriate solicitation materials (the “General Solicitation Package”), including:

- a copy of the Solicitation Procedures;
- the Confirmation Hearing Notice;
- a cover letter, describing the contents of the General Solicitation Package and urging the Holders of Claims in each of the Voting Classes to vote to accept the Plan;
- an appropriate form of Ballot for Holders of Claims;
- the approved Disclosure Statement (with all exhibits attached thereto, including the Plan and the exhibits attached thereto); and
- a letter from the Creditors’ Committee with a recommendation on how unsecured creditors should vote on the Plan.

The Solicitation Packages will provide the Disclosure Statement and Plan in electronic format (*i.e.*, CD ROM or flash drive) and all other contents of the Solicitation Packages, including Ballots, in paper format. Any Holder of a Claim or Interest may obtain, at no charge, a paper copy of the documents otherwise provided by (a) accessing Prime Clerk’s website at <https://cases.primclerk.com/pss>.

2. Voting Rights

Classes Entitled to Vote. Under the provisions of the Bankruptcy Code, not all Holders of claims against and equity interests in a debtor are entitled to vote on a chapter 11 plan. As shown in the table below, the Debtors **are** soliciting votes to accept the Plan only from Holders of Claims in Classes 3, 4, 5A and 5B (the “Voting Classes”) because Holders of Claims in the Voting Classes are Impaired under the Plan and, may, in certain circumstances, receive a distribution under the Plan. Accordingly, Holders of Claims in the Voting Classes have the right to vote to accept or reject the Plan. If your Claim or Interest is not included in one of these Classes, you are not entitled to vote and you will not receive a Solicitation Package.

Each of the Voting Classes will have accepted the Plan if: (1) the Holders of at least two thirds in dollar amount of the Allowed Claims actually voting in each Class for each Debtor, as applicable, have voted to accept the Plan; and (2) the Holders of more than one half in number of the Allowed Claims actually voting in each Class for each Debtor, as applicable, have voted to accept the Plan. Additionally, if Prime Clerk receives no votes to accept or reject the Plan with respect to any particular Class of Claims, the Debtors may seek to deem such class as having accepted the Plan.

The following table provides a summary of the status and voting rights of each Class (and, therefore, of each Holder within such Class) under the Plan:

<u>Class</u>	<u>Claim/Equity Interest</u>	<u>Status</u>	<u>Voting Rights</u>
3	Tranche A-1 Term Loan Secured Claims	Impaired	Entitled to Vote
4	Tranche A-2 Term Loan Secured Claims	Impaired	Entitled to Vote
5A	General Unsecured Claims of Payless ShoeSource Worldwide, Inc. and Collective Brands Logistics Limited	Impaired	Entitled to Vote
5B	General Unsecured Claims of Remaining Debtors	Impaired	Entitled to Vote

Classes not Entitled to Vote. Under the Bankruptcy Code, Holders of Claims or Interests are not entitled to vote if such Claims or Interests are Unimpaired under the Plan or if they will receive no distribution of property under the Plan. Based on this standard, the following Classes of Claims and Interests for each Debtor, as applicable, will not be entitled to vote on the Plan and the Holders of such Claims and Interests will not be solicited to vote on the Plan.

<u>Class</u>	<u>Claim/Equity Interest</u>	<u>Status</u>	<u>Voting Rights</u>
1	Other Priority Claims	Unimpaired	Deemed to Accept
2	Other Secured Claims	Unimpaired	Deemed to Accept
6	Intercompany Claims	Impaired	Deemed to Accept
7	Existing Equity Interests in Payless	Impaired	Deemed to Reject
8	Intercompany Interests	Impaired	Deemed to Accept

3. Record Date

The Record Date is August 30, 2019 for all Claims filed before such date, or, for any Claims filed after such date, the Claims Bar Date. This means that it will be determined (a) which Holders of Claims in Classes 3, 4, 5A and 5B are entitled to vote to accept or reject the Plan and (b) whether Claims have been properly assigned or transferred under Bankruptcy Rule 3001(e) such that an assignee can vote as the Holder of a Claim by the Record Date.

4. Voting Deadline

The Voting Deadline is 4:00 p.m. prevailing Central Time on October 17, 2019. In order to be counted as votes to accept or reject the Plan, all Ballots must be properly executed, completed and delivered (either by using the return envelope provided, by first class mail, overnight courier or personal delivery) so that each Ballot is *actually received* on or before the Voting Deadline by either the Noticing and Claims Agent or the Solicitation and Subscription Agent at the applicable address:

**Payless Balloting Center
c/o Prime Clerk LLC
One Grand Central Place
60 East 42nd Street, Suite #1440
New York NY 10165**

5. Ballots Not Counted

The following Ballots will not be counted toward Confirmation of the Plan: (a) any Ballot that is illegible or contains insufficient information to permit the identification of the Holder of the Claim or transmitted by facsimile or other electronic means; (b) any Ballot cast by an entity that is not entitled to vote on the Plan; (c) any Ballot cast for a Claim listed in the Schedules as contingent, unliquidated or disputed for which the applicable bar date has passed and no proof of claim was timely filed; (d) any Ballot cast for a Claim that is subject to an objection pending as of the Record Date (unless temporarily allowed in accordance with the Disclosure Statement Order);

(e) any Ballot sent to the Debtors, the Debtors' agents/representatives (other than the Noticing and Claims Agent), the Indenture Trustee or the Debtors' financial or legal advisors; (e) any unsigned Ballot; or (f) any Ballot not marked to accept or reject the Plan or marked both to accept and reject the Plan.

IF YOU HAVE ANY QUESTIONS ABOUT THE SOLICITATION OR VOTING PROCESS, PLEASE CONTACT THE NOTICING AND CLAIMS AGENT OR THE SOLICITATION AND SUBSCRIPTION AGENT, AS APPLICABLE. ANY BALLOT RECEIVED AFTER THE VOTING DEADLINE WILL NOT BE COUNTED UNLESS THE DEADLINE IS EXTENDED BY THE DEBTORS.

VII.

CONFIRMATION AND CONSUMMATION OF THE PLAN

A. STATUTORY REQUIREMENTS FOR CONFIRMATION OF THE PLAN

1. Confirmation Hearing

The Confirmation Hearing is scheduled to commence on October 23, 2019, at 10:00 a.m. prevailing Central Time. The Confirmation Hearing will be held before the Honorable Kathy A. Surratt-States, United States Bankruptcy Judge, at the United States Bankruptcy Court for the Eastern District of Missouri, Thomas F. Eagleton U.S. Courthouse, 111 S. 10th Street, 4th Floor, Courtroom 7 North, St. Louis, MO 63102. The Bankruptcy Court may adjourn the Confirmation Hearing from time to time without further notice. Objections to Confirmation of the Plan must be filed and served on the Debtors, and certain other parties, by no later than October 17, 2019, at 4:00 p.m. (prevailing Central Time) in accordance with the notice of the Confirmation Hearing, attached to the Disclosure Statement Order as **Exhibit 2** and incorporated herein by reference. Unless an objection to the Plan is timely served and filed, it may not be considered by the Bankruptcy Court.

The “Plan Objection Deadline” is 4:00 p.m. prevailing Central Time on October 17, 2019. This means that written objections to Confirmation of the Plan, if any, which conform to the applicable provisions of the Bankruptcy Code, the Bankruptcy Rules, and the Local Bankruptcy Rules, must be filed, together with a proof of service, with the Bankruptcy Court and served on all parties that have requested notice in these cases pursuant to Bankruptcy Rule 2002, so as to be **actually received** on or before the Plan Objection Deadline by such parties.

2. Effect of Confirmation

Following Confirmation, subject to Article VIII of the Plan, the Plan will be consummated on the Effective Date. Among other things, on the Effective Date, certain release, injunction, exculpation and discharge provisions set forth in Article IX will become effective. As such, it is important to read the provisions contained in Article IX of the Plan very carefully so that you understand how Confirmation and Consummation of the Plan – which effectuates such provisions – will affect you and any Claim you may hold against the Debtors so that you cast your vote accordingly. **Additionally, for a more detailed description of the provisions set forth in Article IX of the Plan, please refer to Section IV.I herein.**

PLEASE TAKE NOTICE that, the “Third-Party Release” set forth in Article IX.F of the Plan is a consensual release as to most of the Released Parties. The Releasing Parties are bound by the “Third-Party Release” pursuant to Article IX.F of the Plan. “Releasing Parties” means, collectively, (a) the Debtors, (b) the Lender Plan Support Parties, (c) Creditors’ Committee; (d) the DIP Lenders and the DIP Facility Agent, (e) the Prepetition Term Loan Lenders and Prepetition Term Loan Agent (f) the Prepetition ABL Credit Facility Lenders and Wells Fargo, (g) all Holders of Claims and Interests that are deemed unimpaired and presumed to accept the Plan, (h) all Holders of Claims who either (1) vote to accept or (2) receive a Ballot providing them the right to opt out of any applicable releases but abstain from voting on the Plan or otherwise do not elect pursuant to such Ballot to opt out of the Third-Party Release, (i) all Holders of Claims and Interests who are not entitled to vote on the Plan but receive a notice advising them of their ability to opt out of the Third-Party Release but who do not elect to opt out of the Third-Party Release, (j) all other Holders of Claims and Interests to the maximum extent permitted by law, and (k) with respect to the Debtors, the Reorganized Debtors, and each of the Entities in clauses (a) through (j), each such Entity’s current and former Affiliates, and each such Entity’s and their current and former Affiliates’ current and former directors, managers, officers, principals, members, employees, equity Holders (regardless of whether such interests are held directly or indirectly), predecessors, successors, assigns, subsidiaries, agents, advisory board members, financial advisors, partners, attorneys, accountants, investment bankers, consultants, representatives, and other professionals, and each of the foregoing Entities in clauses (a) through (k), each such Entity’s current and former Affiliates, and each such Entity’s and their current and former Affiliates’ current and former directors, managers, officers, principals, members, employees, equity Holders (regardless of whether such interests are held directly or indirectly), predecessors, successors, assigns, subsidiaries, agents, advisory board members, financial advisors, partners, attorneys, accountants, investment bankers, consultants, representatives, and other professionals.

THE PLAN WILL BIND ALL HOLDERS OF CLAIMS AGAINST AND INTERESTS IN THE DEBTORS TO THE FULLEST EXTENT AUTHORIZED OR PROVIDED UNDER THE BANKRUPTCY CODE, INCLUDING SECTIONS 524 AND 1141 THEREOF, AND BY ALL OTHER APPLICABLE LAW.

3. Confirmation Requirements

At the Confirmation Hearing, the Bankruptcy Court will determine whether the Plan satisfies the requirements of section 1129 of the Bankruptcy Code. The Debtors believe that the Plan will satisfy all of the statutory requirements of chapter 11 of the Bankruptcy Code and that they have complied or will have complied with all of the requirements of chapter 11 of the Bankruptcy Code. Specifically, the Debtors believe that the Plan will satisfy the applicable confirmation requirements of section 1129 of the Bankruptcy Code, including those set forth below.

- The Plan complies with the applicable provisions of the Bankruptcy Code.
- The Debtors, as the Plan proponents, have complied with the applicable provisions of the Bankruptcy Code.
- The Plan has been proposed in good faith and not by any means forbidden by law.
- Any payment made or to be made under the Plan for services or for costs and expenses in, or in connection with, the Chapter 11 Cases, or in connection with the Plan and incident to the Chapter 11 Cases, has been or will be disclosed to the Bankruptcy Court, and any such payment: (1) made before the confirmation of the Plan is reasonable; or (2) is subject to the approval of the Bankruptcy Court as reasonable, if it is to be fixed after confirmation of the Plan.
- With respect to each Class of Claims, each Holder of an Impaired Claim has accepted the Plan or will receive or retain under the Plan on account of such Claim property of a value as of the Effective Date of the Plan that is not less than the amount that such Holder would receive or retain if the Debtors were liquidated on that date under chapter 7 of the Bankruptcy Code. With respect to each Class of Interests, each Holder of an Impaired Interest has accepted the Plan or will receive or retain under the Plan on account of such Interest property of a value as of the Effective Date of the Plan that is not less than the amount that such Holder would receive or retain if the Debtors were liquidated on that date under chapter 7 of the Bankruptcy Code.
- Each Class of Claims or Interests that is entitled to vote on the Plan has either accepted the Plan or is not Impaired under the Plan, or the Plan can be confirmed without the approval of such voting Class of Claims or Interests pursuant to section 1129(b) of the Bankruptcy Code.
- Except to the extent that the Holder of a particular Claim will agree to a different treatment of its Claim, the Plan provides that: (1) Holders of Claims specified in sections 507(a)(2) and 507(a)(3) will receive, under different circumstances, Cash equal to the amount of such Claim either on the Effective Date (or as soon as practicable thereafter), no later than 30 days after the Claim becomes Allowed, or pursuant to the terms and conditions of the transaction giving rise to the Claim; (2) Holders of Claims specified in sections 507(a)(1), 507(a)(4), 507(a)(5), 507(a)(6), or 507(a)(7) of the Bankruptcy Code will receive on account of such Claims Cash equal to the Allowed amount of such Claim on the Effective Date of the Plan (or as soon thereafter as is reasonably practicable) or Cash payable over no more than six months after the Petition Date; and (3) Holders of Claims specified in section 507(a)(8) of the Bankruptcy Code will receive on account of such Claim regular installment payments of Cash of a total value, as of the Effective Date of the Plan, equal to the Allowed amount of such Claim over a period ending not later than five years after the Petition Date.
- At least one Class of Impaired Claims has accepted the Plan, determined without including any acceptance of the Plan by any "insider," as that term is defined by section 101(31) of the Bankruptcy Code, holding a Claim in that Class.

- With respect to each Class, each Holder of a Claim or an Equity Interest in the Class either (i) has accepted the Plan or (ii) will receive or retain under the Plan property of a value that is not less than the amount that the Holder would receive or retain if the Debtors liquidated under chapter 7.
- Confirmation of the Plan is not likely to be followed by the liquidation or the need for further financial reorganization of the Debtors or any successors thereto under the Plan, unless the Plan contemplates such liquidation or reorganization.
- The Debtors have paid or the Plan provides for the payment of the required filing fees pursuant to 28 U.S.C. § 1930 to the clerk of the Bankruptcy Court.

4. Best Interests of Creditors Test/Liquidation Analysis

Often called the “best interests” test, section 1129(a)(7) of the Bankruptcy Code requires that a bankruptcy court find as a condition to confirmation, that a chapter 11 plan provides, with respect to each class, that each holder of a claim or an equity interest in the class either (i) has accepted the plan or (ii) will receive or retain under the plan property of a value that is not less than the amount that the Holder would receive or retain if the debtors liquidated under chapter 7.

If no plan can be Confirmed, the Debtors’ Chapter 11 Cases may be converted to cases under chapter 7 of the Bankruptcy Code, pursuant to which a trustee would be elected or appointed to liquidate the assets of the Debtors for distribution in accordance with the priorities established by the Bankruptcy Code. A discussion of the effects that a chapter 7 liquidation would have on the recoveries of Holders of Claims and the Debtors’ Liquidation Analysis is described herein and attached hereto as Exhibit E.

Thus, the Plan satisfies the requirements of section 1129(a)(7) of the Bankruptcy Code with respect to such Classes.

5. Feasibility Requirements

Section 1129(a)(11) of the Bankruptcy Code requires that confirmation of a plan of reorganization is not likely to be followed by the liquidation, or the need for further financial reorganization of the debtor, or any successor to the debtor (unless such liquidation or reorganization is proposed in the plan of reorganization). To determine whether the Plan meets this feasibility requirement, the Debtors have analyzed their ability to meet their respective obligations under the Plan. As part of this analysis, the Debtors have prepared certain Financial Projections, which projections and the assumptions upon which they are based are attached hereto as Exhibit D. These Financial Projections relate to the expected performance of the Reorganized Debtors under the Plan. Based on these Financial Projections and the fact that the Debtors will have sufficient funds upon Confirmation to make all payments required under the Plan, the Debtors believe that the deleveraging contemplated by the Plan meets the feasibility requirement of section 1129(a)(11) of the Bankruptcy Code.

6. Acceptance by Impaired Classes

The Bankruptcy Code requires, as a condition to confirmation, that, except as described in the following section, each class of claims or equity interests that is impaired under a plan, accept the plan. A class that is not “impaired” under a plan is deemed to have accepted the plan and, therefore, solicitation of acceptances with respect to such class is not required. Pursuant to section 1124 of the Bankruptcy Code, a class is “impaired” unless the plan: (a) leaves unaltered the legal, equitable, and contractual rights to which the claim or the equity interest entitles the holder of such claim or equity interest; (b) cures any default and reinstates the original terms of such obligation; or (c) provides that, on the consummation date, the holder of such claim or equity interest receives cash equal to the allowed amount of that claim or, with respect to any equity interest, any fixed liquidation preference to which the holder of such equity interest is entitled to any fixed price at which the debtor may redeem the security.

Section 1126(c) of the Bankruptcy Code defines acceptance of a plan by a class of impaired claims as acceptance by Holders of at least two-thirds in dollar amount and more than one-half in number of claims in that class, but for that purpose counts only those who actually vote to accept or to reject the plan. Thus, a class of claims

will have voted to accept the plan only if two-thirds in amount and a majority in number actually voting cast their ballots in favor of acceptance.

Claims in Classes 1 and 2 are Unimpaired under the Plan, and, as a result, the Holders of such Claims are deemed to have accepted the Plan. Holders of Claims and Interests in Classes 6 and 8 are deemed to have accepted the Plan. Holders of Claims and Interests in Class 7 are deemed to have rejected the Plan.

Claims in Classes 3, 4, 5A and 5B are Impaired under the Plan, and as a result, the Holders of Claims in such Classes are entitled to vote on the Plan. Pursuant to section 1129 of the Bankruptcy Code, the Holders of Claims in the Voting Classes must accept the Plan for the Plan to be confirmed without application of the “fair and equitable test” to such Classes, and without considering whether the Plan “discriminates unfairly” with respect to such Classes, as both standards are described directly below. As stated above, Classes of Claims will have accepted the Plan if the Plan is accepted by at least two-thirds in amount and a majority in number of the Claims of each such Class (other than any Claims of creditors designated under section 1126(e) of the Bankruptcy Code) that have voted to accept or reject the Plan.

7. Confirmation Without Acceptance by All Impaired Classes

Section 1129(b) of the Bankruptcy Code allows a bankruptcy court to confirm a plan even if all impaired classes have not accepted it; provided, however, that the plan has been accepted by at least one impaired class. Pursuant to section 1129(b) of the Bankruptcy Code, notwithstanding an impaired class’s rejection or deemed rejection of the plan, the plan will be confirmed, at the plan proponent’s request, in a procedure commonly known as a “cramdown” so long as the plan does not “discriminate unfairly” and is “fair and equitable” with respect to each class of claims or equity interests that is impaired under, and has not accepted, the plan.

If any Impaired Class rejects the Plan, the Debtors reserve the right to seek to confirm the Plan utilizing the “cramdown” provision of section 1129(b) of the Bankruptcy Code. To the extent that any Impaired Class rejects the Plan or is deemed to have rejected the Plan, the Debtors will request Confirmation of the Plan, as it may be modified from time to time, under section 1129(b) of the Bankruptcy Code.

(a) No Unfair Discrimination

The “unfair discrimination” test applies to classes of claims or interests that are of equal priority and are receiving different treatment under a plan. The test does not require that the treatment be the same or equivalent, but that treatment be “fair.” In general, bankruptcy courts consider whether a plan discriminates unfairly in its treatment of classes of claims of equal rank (*e.g.*, classes of the same legal character). Bankruptcy courts will take into account a number of factors in determining whether a plan discriminates unfairly. A plan could treat two classes of unsecured creditors differently without unfairly discriminating against either class.

(b) Fair and Equitable

The “fair and equitable” test applies to classes of different priority and status (*e.g.*, secured versus unsecured) and includes the general requirement that no class of claims receive more than 100% of the amount of the allowed claims in the class. As to the dissenting class, the test sets different standards depending upon the type of claims or equity interests in the class.

The Debtors submit that if the Debtors “cramdown” the Plan pursuant to section 1129(b) of the Bankruptcy Code, the Plan will be structured so that it does not “discriminate unfairly” and satisfies the “fair and equitable” requirement. With respect to the unfair discrimination requirement, all Classes under the Plan are provided treatment that is substantially equivalent to the treatment that is provided to other Classes that have equal rank. The Debtors believe that the Plan and the treatment of all Classes of Claims and Interests under the Plan satisfy the foregoing requirements for nonconsensual Confirmation of the Plan:

- Secured Claims. The condition that a plan be “fair and equitable” to a non-accepting class of secured claims may be satisfied, among other things, if a debtor demonstrates that: (i) the holders of such secured claims retain the liens securing such claims to the extent of the allowed amount of the claims, whether the property subject to the liens is retained by the debtor or transferred to

another entity under the plan; and (ii) each holder of a secured claim in the class receives deferred cash payments totaling at least the allowed amount of such claim with a present value, as of the effective date of the plan, at least equivalent to the value of the secured claimant's interest in the debtor's property subject to the liens.

- Unsecured Claims. The condition that a plan be "fair and equitable" to a non-accepting class of unsecured claims includes the requirement that either: (i) the plan provides that each holder of a claim of such class receive or retain on account of such claim property of a value, as of the effective date of the plan, equal to the allowed amount of such claim; or (ii) the holder of any claim or any interest that is junior to the claims of such class will not receive or retain under the plan on account of such junior claim or junior interest any property.
- Equity Interests. The condition that a plan be "fair and equitable" to a non-accepting class of unsecured claims includes the requirement that either: (i) the plan provides that each holder of a claim of such class receive or retain on account of such claim property of a value, as of the effective date of the plan, equal to the allowed amount of such claim; or (ii) the holder of any claim or any interest that is junior to the claims of such class will not receive or retain under the plan on account of such junior claim or junior interest any property:

B. CONDITIONS FOR CONSUMMATION OF THE PLAN

The Plan will be consummated on the Effective Date so long as certain conditions precedent are satisfied or waived in accordance with the Article VIII.A-B of the Plan, including:

- The Bankruptcy Court shall have approved this Disclosure Statement as containing adequate information with respect to the Plan within the meaning of Bankruptcy Code section 1125.
- The Confirmation Order shall have been entered and become a Final Order. The Confirmation Order shall provide that, among other things, the Debtors or the Reorganized Debtors, as appropriate, are authorized and directed to take all actions necessary or appropriate to consummate the Plan, including, without limitation, entering into, implementing, and consummating the contracts, instruments, releases, leases, indentures, and other agreements or documents created in connection with or described in the Plan.
- The Definitive Documents must be, in form and substance, reasonably acceptable to the Debtors and the Requisite Lender Plan Support Parties. Modifications that impact the treatment of the General Unsecured Claims and/or release provisions must be in, in form and substance, reasonable acceptable to the Creditors' Committee.
- All documents and agreements necessary to implement the Plan, including in respect of the New First Lien Facility and New Second Lien Facility, shall have (a) been tendered for delivery and (b) been effected or executed. All conditions precedent to the effectiveness of such documents and agreements shall have been satisfied or waived pursuant to the terms of such documents or agreements, and the commitment fees described in Article IV.H of the Plan shall have been paid.
- All actions, documents, certificates, and agreements necessary to implement the Plan shall have been effected or executed and delivered to the required parties and, to the extent required, filed with the applicable Governmental Units in accordance with applicable laws.
- The Professional Fee Escrow Account shall have been established and funded.
- The Liquidating Trust Agreement has been executed and the Liquidating Trust Assets transferred to the Liquidating Trust.
- To the extent necessary, an order of the Canadian Proceedings shall have been obtained, in form and reasonably satisfactory to the Debtors and the Canadian Debtors, permitting the treatment of the Intercompany Claims set out herein with respect to the Canadian Debtors.

C. ALTERNATIVES TO CONFIRMATION AND CONSUMMATION OF THE PLAN

1. Liquidation Under Chapter 7 of the Bankruptcy Code

If no chapter 11 plan can be confirmed, the Chapter 11 Cases may be converted to a case under chapter 7 of the Bankruptcy Code in which case, a trustee would be elected or appointed to liquidate the Debtors' assets. A discussion of the effect that a chapter 7 liquidation would have on the recovery of Holders of Claims is set forth in Section VII.A herein, titled "Statutory Requirements for Confirmation of the Plan." In performing the liquidation analysis, the Debtors have assumed that all Holders of Claims will be determined to have "claims" that are entitled to share in the proceeds from any such liquidation. The Debtors believes that liquidation under chapter 7 would result in (i) smaller distributions being made to creditors than those provided for in the Plan because of the additional administrative expenses involved in the appointment of a trustee and attorneys and other professionals to assist such trustee, (ii) additional expenses and claims, some of which would be entitled to priority, which would be generated during the liquidation and from the rejection of unexpired leases and executory contracts in connection with the cessation of the Debtors' operations, (iii) the failure to realize the greater, going-concern value of all of the Debtors' assets, and (iv) major tax liabilities that result from taxable income recognized due to excess loss accounts, as discussed below in "IX. CERTAIN U.S. FEDERAL INCOME TAX CONSEQUENCES OF THE PLAN – B. Consequences to the Debtors and Reorganized Debtors – 3. Excess Loss Accounts"

2. Filing of an Alternative Plan of Reorganization

If the Plan is not confirmed, the Debtors or any other party in interest could attempt to formulate a different plan of reorganization. Such a plan might involve either a reorganization and continuation of the Debtors' business or an orderly liquidation of their assets. During the negotiations prior to the filing of the Plan, the Debtors explored various alternatives to the Plan.

The Debtors believe that the Plan enables the Debtors to emerge from chapter 11 successfully and expeditiously, preserves their business and allows creditors to realize the highest recoveries under the circumstances. In a liquidation under chapter 11 of the Bankruptcy Code, the assets of the Debtors would be sold in an orderly fashion over a more extended period of time than in a liquidation under chapter 7, and a trustee need not be appointed. Accordingly, creditors would receive greater recoveries than in a chapter 7 liquidation. Although a chapter 11 liquidation is preferable to a chapter 7 liquidation, the Debtors believe that a liquidation under chapter 11 is a much less attractive alternative to creditors than the Plan because the Plan provides for a greater return to creditors. In any liquidation, creditors would be paid their distribution in Cash, whereas, under the Plan, some creditors will receive a part of their distribution in New Common Units (if issued).

VIII.
PLAN-RELATED RISK FACTORS

PRIOR TO VOTING TO ACCEPT OR REJECT THE PLAN, ALL HOLDERS OF CLAIMS ENTITLED TO VOTE ON THE PLAN SHOULD READ AND CONSIDER CAREFULLY EACH OF THE FACTORS SET FORTH HEREIN, AS WELL AS ALL OTHER INFORMATION SET FORTH OR OTHERWISE REFERENCED IN THIS DISCLOSURE STATEMENT. WHILE NUMEROUS, THESE RISK FACTORS SHOULD NOT BE CONSTRUED AS THE ONLY RISKS RELATING TO THE DEBTORS' BUSINESSES AND/OR THE PLAN.

The following provides a summary of various important considerations and risk factors associated with the Plan. However, it is not exhaustive. In considering whether to vote for or against the Plan, Holders of Claims in Voting Classes should read and carefully consider the factors set forth below and all other information set forth or otherwise referenced or incorporated by reference in this Disclosure Statement.

A. RISKS RELATING TO CONFIRMATION OF THE PLAN

1. Parties in Interest May Object to the Plan's Classification of Claims and Interests

Section 1122 of the Bankruptcy Code provides that a plan may place a claim or an equity interest in a particular class only if such claim or equity interest is substantially similar to the other claims or equity interests in such class. The Debtors believe that the classification of the Claims and Interests under the Plan complies with the requirements set forth in the Bankruptcy Code because the Debtors created Classes of Claims and Interests, each encompassing Claims and Interests that are substantially similar to the other Claims and Interests in each such Class. Nevertheless, there can be no assurance that the Bankruptcy Court will reach the same conclusion.

2. Failure to Satisfy Vote Requirements

If votes are received in number and amount sufficient to enable the Bankruptcy Court to confirm the Plan, the Debtors intend to seek, as promptly as practicable thereafter, Confirmation of the Plan. In the event that sufficient votes are not received, the Debtors may seek to confirm an alternative chapter 11 plan. There can be no assurance that the terms of any such alternative chapter 11 plan would be similar or as favorable to the Holders of Allowed Claims as those proposed in the Plan.

3. Nonconsensual Confirmation

In the event that any impaired class of Claims or Interests does not accept a chapter 11 plan, a bankruptcy court may nevertheless confirm a plan at the proponents' request if at least one impaired class (as defined under section 1124 of the Bankruptcy Code) has accepted the plan (with such acceptance being determined without including the vote of any "insider" in such class), and, as to each impaired class that has not accepted the plan, the Bankruptcy Court determines that the plan "does not discriminate unfairly" and is "fair and equitable" with respect to the dissenting impaired class(es). The Debtors believe that the Plan satisfies these requirements, and the Debtors may request such nonconsensual Confirmation in accordance with subsection 1129(b) of the Bankruptcy Code. Nevertheless, there can be no assurance that the Bankruptcy Court will reach this conclusion. In addition, the pursuit of nonconsensual Confirmation or Consummation of the Plan may result in, among other things, increased expenses relating to professional compensation.

4. The Debtors May Not Be Able to Secure Confirmation of the Plan.

Section 1129 of the Bankruptcy Code sets forth the requirements for confirmation of a chapter 11 plan, and requires, among other things, a finding by the Bankruptcy Court that: (a) such plan "does not unfairly discriminate" and is "fair and equitable" with respect to any non-accepting classes; (b) confirmation of such plan is not likely to be followed by a liquidation or a need for further financial reorganization unless such liquidation or reorganization is contemplated by the plan; and (c) the value of distributions to non-accepting Holders of claims and equity interests within a particular class under such plan will not be less than the value of distributions such Holders would receive if the debtors were liquidated under chapter 7 of the Bankruptcy Code.

There can be no assurance that the requisite acceptances to confirm the Plan will be received. Even if the requisite acceptances are received, there can be no assurance that the Bankruptcy Court will confirm the Plan. A non-accepting Holder of an Allowed Claim or an Allowed Interest might challenge either the adequacy of this Disclosure Statement or whether the balloting procedures and voting results satisfy the requirements of the Bankruptcy Code or Bankruptcy Rules. Even if the Bankruptcy Court determined that this Disclosure Statement, the balloting procedures and voting results were appropriate, the Bankruptcy Court could still decline to confirm the Plan if it found that any of the statutory requirements for Confirmation had not been met. If the Plan is not confirmed, it is unclear what distributions, if any, Holders of Allowed Claims and Allowed Equity Interests would receive with respect to their Allowed Claims and Allowed Interests.

The Debtors, subject to the terms and conditions of the Plan, reserve the right to modify the terms and conditions of the Plan as necessary for Confirmation. Any such modifications could result in a less favorable treatment of any Class than the treatment currently provided in the Plan. Such less favorable treatment could include a distribution of property to the Class affected by the modification of a lesser value than currently provided in the Plan or no distribution of property whatsoever under the Plan. Changes to the Plan may also delay the confirmation of the Plan and the Debtors' emergence from bankruptcy.

5. The Debtors May Object to the Amount or Classification of a Claim

Except as otherwise provided in the Plan, the Debtors reserve the right to object to the amount or classification of any Claim under the Plan. The estimates set forth in this Disclosure Statement cannot be relied upon by any Holder of a Claim where such Claim is or may be subject to an objection. Any Holder of a Claim that is or may be subject to an objection thus may not receive its expected share of the estimated distributions described in this Disclosure Statement.

6. Continued Risk Upon Confirmation

Even if a chapter 11 plan of reorganization is consummated, the Debtors will continue to face a number of risks, including certain risks that are beyond their control, such as further industry deterioration or other changes in economic conditions, and increasing expenses. Some of these concerns and effects typically become more acute when a case under the Bankruptcy Code continues for a protracted period without indication of how or when the case may be completed. As a result of these risks and others, there is no guarantee that a chapter 11 plan of reorganization reflecting the Plan will achieve the Debtors' stated goals.

In addition, at the outset of the Chapter 11 Cases, the Bankruptcy Code gave the Debtors the exclusive right to propose the Plan and prohibited creditors and others from proposing a plan. The Debtors will have retained the exclusive right to propose the Plan upon filing their petitions for chapter 11 relief. If the Bankruptcy Court terminates that right, however, or the exclusivity period expires, there could be a material adverse effect on the Debtors' ability to achieve confirmation of the Plan in order to achieve the Debtors' stated goals.

Furthermore, even if the Debtors' debts are reduced and/or discharged through the Plan, the Debtors may need to raise additional funds through public or private debt or equity financing or other various means to fund the Debtors' business after the completion of the proceedings related to the Chapter 11 Cases. Adequate funds may not be available when needed or may not be available on favorable terms.

7. The Chapter 11 Cases May be Converted to Cases Under Chapter 7 of the Bankruptcy Code

If the Bankruptcy Court finds that it would be in the best interest of creditors and/or the debtor in a chapter 11 case, the Bankruptcy Court may convert a chapter 11 bankruptcy case to a case under chapter 7 of the Bankruptcy Code. In such event, a chapter 7 trustee would be appointed or elected to liquidate the debtor's assets for distribution in accordance with the priorities established by the Bankruptcy Code. The Debtors believe that liquidation under chapter 7 would result in significantly smaller distributions being made to creditors than those provided for in a chapter 11 plan because of (a) the likelihood that the assets would have to be sold or otherwise disposed of in a disorderly fashion over a short period of time rather than reorganizing or selling in a controlled manner affecting the business as a going concern, (b) additional administrative expenses involved in the appointment of a chapter 7 trustee, and (c) additional expenses and Claims, some of which would be entitled to

priority, that would be generated during the liquidation, and including Claims resulting from the rejection of Unexpired Leases and other Executory Contracts in connection with cessation of operations.

8. Contingencies Could Affect Votes of Impaired Classes to Accept or Reject the Plan

The distributions available to Holders of Allowed Claims under the Plan can be affected by a variety of contingencies, including, without limitation, whether the Bankruptcy Court orders certain Allowed Claims to be subordinated to other Allowed Claims. The occurrence of any and all such contingencies, which could affect distributions available to Holders of Allowed Claims and Allowed Equity Interests under the Plan, will not affect the validity of the vote taken by the Impaired Classes to accept or reject the Plan or require any sort of revote by the Impaired Classes.

9. Release, Injunction, and Exculpation Provisions May Not Be Approved

Article IX of the Plan provides for certain releases, injunctions, and exculpations. All of the releases, injunctions, and exculpations provided in the Plan, if any, are subject to objection by parties in interest and may not be approved. If they are not approved, the Plan may lose the support of certain parties and likely cannot be confirmed and likely cannot go effective.

B. RISKS RELATING TO RECOVERIES UNDER THE PLAN

1. The Recovery to Holders of Allowed Claims Cannot be Stated With Absolute Certainty.

This Disclosure Statement contains various projections concerning the Reorganized Debtors' operations, including the Financial Projections, that are, by their nature, forward looking, and which projections are necessarily based on certain assumptions and estimates regarding the anticipated future performance of the Reorganized Debtors, including, without limitation, their ability to maintain or increase revenue and gross margins, control future operating expenses, or make necessary capital, as well as assumptions concerning general business and economic conditions and overall industry performance and trends, which the Debtors are unable to control. Should any or all of these assumptions or estimates ultimately prove to be incorrect or not materialize, the actual future experiences of the Reorganized Debtors may turn out to be different from the Financial Projections. Also, because the Liquidation Analysis, distribution projections, and other information contained herein and attached hereto are estimates only, the timing and amount of actual distributions to Holders of Allowed Claims may be affected by many factors that cannot be predicted.

Further, because the Claims Bar Date has not yet occurred, the Claims estimates set forth herein are based on various assumptions and the best information available to the Debtors at this time. Accordingly, they are estimates. The actual amounts of Allowed Claims may differ significantly from those estimates should one or more underlying assumption prove to be incorrect. Such differences may adversely affect the percentage recovery to Holders of such Allowed Claims under the Plan. Moreover, the estimated recoveries set forth herein are necessarily based on numerous assumptions, the realization of many of which are beyond the Debtors' control, including, without limitation, (a) the successful reorganization of the Debtors, (b) an assumed date for the occurrence of the Effective Date, (c) the Debtors' ability to achieve the operating and financial results included in the Financial Projections, (d) the Debtors' ability to maintain adequate liquidity to fund operations, and (e) the assumption that capital and equity markets remain consistent with current conditions.

The actual amounts of Allowed Claims may differ significantly from those estimates should one or more underlying assumption prove to be incorrect, which could affect the percentage recovery to Holders of such Allowed Claims under the Plan, in some instances adversely. Also, the estimated recoveries to Holders of Allowed Claims are not intended to represent the private sale values of the Reorganized Debtors' securities.

2. Risk of Non-Occurrence of the Effective Date

The Debtors can provide no assurance as to the timing or as to whether the Effective Date will, in fact, occur. The occurrence of the Effective Date is subject to certain conditions precedent as described in Article VIII.B of the Plan, including, among others, those relating to Consummation of the Plan, as well as the receipt of certain

regulatory approvals. Failure to meet any of these conditions could result in the Plan not being consummated or the Confirmation Order being vacated.

C. RISKS RELATING TO THE DEBTORS' BUSINESSES

1. Prolonged Continuation of the Chapter 11 Cases Is Likely To Harm the Debtors' Business.

The prolonged continuation of these Chapter 11 Cases is likely to adversely affect the Debtors' business and operations. So long as the Chapter 11 Cases continue, senior management of the Debtors will be required to spend a significant amount of time and effort dealing with the Debtors' reorganization instead of focusing exclusively on business operations. Prolonged continuation of the Chapter 11 Cases will also make it more difficult to attract and retain management and other key personnel necessary to the success and growth of the Debtors' business. In addition, so long as the Chapter 11 Cases continue, the Debtors will be required to incur substantial costs for professional fees and other expenses associated with the proceedings. The prolonged continuation of the Chapter 11 Cases may also require the Debtors to seek additional financing in order to service their debt and other obligations. It may not be possible for the Debtors to obtain additional financing during the pendency of the Chapter 11 Cases on commercially favorable terms or at all. If the Debtors were to require additional financing during the Chapter 11 Cases and were unable to obtain the financing on favorable terms or at all, it is unlikely the Debtors could successfully reorganize.

2. The Value of New Common Units Cannot Be Stated With Absolute Certainty.

Despite the Debtors' best efforts to value the New Common Units, various uncertainties, including market conditions, the Debtors' inability to implement their business plan, and lack of a market for the New Common Units may cause fluctuations or variations in value of the New Common Units not fully accounted for herein.

In addition, the value of the New Common Units may be impacted by changes to the Reorganized Debtors' post-emergence capital structure.

3. The Chapter 11 Cases May Affect the Tax Liability of Reorganized Debtors.

In connection with the Debtors' emergence from these Chapter 11 Cases, it is likely that the Debtors' tax attributes will be significantly reduced due to the cancellation of indebtedness income, with any remaining tax attributes subject to limitation under Sections 382 and 383 of the IRC.

4. The Restructuring of the Debtors May Adversely Affect the Debtors' Tax Attributes

Under federal income tax law, a corporation is generally permitted to deduct from taxable income NOLs carried forward from prior years. As of the tax year ending February 2, 2019, the Debtors had approximately \$251 million of U.S. federal NOLs, \$341 million of U.S. state NOLs, \$88 million of federal tax credits, and \$48 million of 163(j) Deductions. The Debtors' ability to utilize their NOL carryforwards and other tax attributes to offset future taxable income and to reduce federal income tax liability is subject to certain requirements and restrictions. In general, such NOLs and other tax attributes could be reduced by the amount of discharge of indebtedness arising in a chapter 11 case under section 108 of the IRC or to offset any taxable gains recognized by the Debtors attributable to the restructuring transactions. In addition, if the Debtors experience an "ownership change," as defined in section 382 of the IRC, then their ability to use the NOL carryforwards may be substantially limited, which could have a negative impact on the Debtors' financial position and results of operations. Generally, there is an "ownership change" if one or more stockholders owning 5% or more of a corporation's common stock have aggregate increases in their ownership of such stock of more than 50 percentage points over the prior three-year period. Following the implementation of a plan of reorganization, it is possible that an "ownership change" may be deemed to occur. Under section 382 of the IRC, absent an applicable exception, if a corporation undergoes an "ownership change," the amount of its NOLs that may be utilized to offset future taxable income generally is subject to annual limitation. The Debtors currently expect that their net operating loss carryforwards and other tax attributes may be significantly reduced, eliminated, or limited in connection with the restructuring transactions, through a combination of one or more of the above factors.

5. The Reorganized Debtors May be Adversely Affected by Potential Litigation, Including Litigation Arising Out of the Chapter 11 Cases

The Debtors are currently subject to or interested in certain legal proceedings, some of which may adversely affect the Debtors. In the future, the Reorganized Debtors may become party to litigation. In general, litigation can be expensive and time consuming to bring or defend against. Such litigation could result in settlements or damages that could significantly affect the Reorganized Debtors' financial results. It is also possible that certain parties will commence litigation with respect to the treatment of their Claims under the Plan. It is not possible to predict the potential litigation that the Reorganized Debtors may become party to, nor the final resolution of such litigation. The impact of any such litigation on the Reorganized Debtors' businesses and financial stability, however, could be material.

6. The Debtors May Not Perform in Accordance with the Financial Projections

As set forth in **Exhibit D**, the Financial Projections are inherently subject to risks and uncertainties. Such risk factors, many of which are beyond the control of the Company, could cause actual results to differ materially from the Financial Projections. A material deviation from the Financial Projections may have a negative impact on the Debtors' ongoing business performance. If the Debtors do not achieve the projected levels of same store sales, they may have inadequate capital to operate their business and service their debt during the periods covered by the Financial Projections, and there could be a need for further restructuring.

7. Changes in U.S. Trade Policy, Including the Imposition of Tariffs and the Resulting Consequences, May Have a Material Adverse Impact on the Debtors' Business and Results of Operations

The Debtors rely on manufacturers located in foreign countries, including China, for significant amounts of merchandise. The Debtors' business may be materially adversely affected by risks associated with international trade, including the impact of tariffs recently imposed by the U.S. with respect to certain consumer goods imported from China.

Global sourcing of many of the products sold by the Debtors is an important factor in driving higher operating profit. During 2018, the Debtors purchased approximately 70% of their products directly from overseas vendors, including 28% from vendors located in China. Additionally a significant amount of the Debtors' merchandise is manufactured abroad. The Debtors' ability to identify qualified vendors and to access products in a timely and efficient manner is a significant challenge, especially with respect to goods sourced outside the U.S. Global sourcing and foreign trade involve numerous risks and uncertainties beyond the Debtors' control, including increased shipping costs, increased import duties, more restrictive quotas, loss of most favored nation trading status, currency and exchange rate fluctuations, work stoppages, transportation delays, economic uncertainties such as inflation, foreign government regulations, political unrest and protests, natural disasters, war, terrorism, trade restrictions and tariffs (including retaliation by the U.S. against foreign practices or by foreign countries against U.S. practices), the financial stability of vendors, or merchandise quality issues. U.S. policy on trade restriction is ever-changing and may result in new laws, regulations or treaties that increase the costs of importing goods and/or limit the scope of available foreign vendors. These and other issues affecting the Debtors' international vendors could materially adversely affect the Debtors' business and financial performance.

On March 22, 2018, President Trump, pursuant to section 301 of the Trade Act of 1974, directed the U.S. Trade Representative ("**USTR**") to impose tariffs on \$50 billion worth of imports from China. On June 15, 2018, the USTR announced its intention to impose an incremental tariff of 25% on \$50 billion worth of imports from China comprised of (1) 818 product lines valued at \$34 billion ("**List 1**") and (2) 284 additional product lines valued at \$16 billion ("**List 2**"). The List 1 tariffs went into effect on July 6, 2018 and the List 2 tariffs went into effect on August 23, 2018 (with respect to 279 of the 284 originally targeted product lines). On July 10, 2018, the USTR announced its intention to impose an incremental tariff of 10% on another \$200 billion worth of imports from China comprised of 6,031 additional product lines ("**List 3**") following the completion of a public notice and comment period. On August 1, 2018, President Trump instructed the USTR to consider increasing the tariff on the List 3 products from 10% to 25%. On September 17, 2018, the USTR released the final List 3 covering 5,745 full or partial lines of the 6,031 originally targeted product lines and announced that the List 3 tariffs will be implemented in two phases. On September 24, 2018, a 10% incremental tariff went into effect with respect to the List 3 products.

The List 3 tariff was scheduled to increase to 25% on January 1, 2019. However, on December 1, 2018, there was a delay in the implementation of the List 3 tariff increase until March 1, 2019, to allow Chinese and U.S. leaders to begin negotiations on various policy issues. On March 5, 2019, the USTR further delayed the implementation of List 3 tariff increase until further notice. The List 3 tariffs increased to 25% on May 10, 2019. On May 17, 2019, USTR announced its intention to impose additional ad valorem tariffs of up to 25% on approximately \$300 billion worth of imports of products of China comprised of 3,805 full and partial tariff subheadings (“List 4”) following the completion of a public notice and comment period. List 4 covers essentially all products not currently covered by Lists 1, 2 and 3, but excludes pharmaceuticals, certain pharmaceutical inputs, select medical goods, rare earth materials, and critical minerals. President Trump has stated that the tariffs on List 4 will go into effect on September 1, 2019.

Certain of the Debtors’ products and components of the Debtors’ products that are imported from China are currently included in the product lines subject to the tariffs currently in effect or proposed. As a result, the Debtors are evaluating the potential impact of the tariffs currently in effect or proposed on their supply chain, costs, sales and profitability and are considering strategies to mitigate such impact, including reviewing sourcing options, filing requests for exclusion from the tariffs with the USTR for certain product lines and working with the Debtors’ vendors and merchants. Given the uncertainty regarding the scope and duration of the tariffs, as well as the potential for additional trade actions by the U.S. or other countries, the impact on the Debtors’ operations and results is uncertain and could be significant. The Debtors can provide no assurance that any strategies the Debtors implement to mitigate the impact of such tariffs or other trade actions will be successful. To the extent that the Debtors’ supply chain, costs, sales or profitability are negatively affected by the tariffs or other trade actions, the Debtors’ business, financial condition and results of operations may be materially adversely affected.

8. The Debtors’ Business is Subject to the Risks of International Operations

The Debtors have material international operations. Compliance with applicable U.S. and foreign laws and regulations, such as import and export requirements, anti-corruption laws, tax laws, foreign exchange controls and cash repatriation restrictions, data privacy and data localization requirements, environmental laws, labor laws and anti-competition regulations, increases the costs of doing business in foreign jurisdictions. Although the Debtors have implemented policies and procedures to comply with these laws and regulations, a violation by the Debtors’ employees, contractors or agents could nevertheless occur. In some cases, compliance with the laws and regulations of one country could violate the laws and regulations of another country. Violations of these laws and regulations could materially adversely affect the Debtors’ brand, international growth efforts and business. The Debtors also could be significantly affected by other risks associated with international activities including, but not limited to, economic and labor conditions, increased duties, taxes and other costs, political instability, protests, and unrest, and international trade disputes.

9. The Debtors Rely on Third Parties to Manufacture and Distribute Their Products

The Debtors depend on third party manufacturers to manufacture the merchandise that they sell. If these manufacturers are unable to secure sufficient supplies of raw materials, produce products that meet the Debtors’ quality standards or maintain adequate manufacturing and shipping capacity, they may be unable to provide the Debtors with timely delivery of products. In addition, if the prices charged by these third parties increase for reasons such as increases in the price of raw materials, increases in labor costs or currency fluctuations, the Debtors’ cost of manufacturing would increase, adversely affecting their results of operations. The Debtors also depend on third parties to transport and deliver their products. Due to the fact that the Debtors do not have any independent transportation or delivery capabilities of their own, if these third parties are unable to transport or deliver the Debtors’ products for any reason, or if they increase the price of their services, the Debtors’ operations and financial performance would be adversely affected.

Holders of Claims should carefully review Article IX hereof, to determine how the tax implications of the Chapter 11 Cases and treatment of Allowed Claims under the Plan could adversely affect the Reorganized Debtors and such Holders.

D. DISCLOSURE STATEMENT DISCLAIMER

1. No Representations Made Outside this Disclosure Statement Are Authorized.

The information contained in this Disclosure Statement is for purposes of soliciting acceptances of the Plan and may not be relied upon for any other purposes. Except as otherwise provided herein or in the Plan, no representations relating to the Debtors, the Chapter 11 Cases or the Plan are authorized by the Bankruptcy Court or the Bankruptcy Code. Any representations or inducements made to secure your acceptance or rejection of the Plan that are other than as contained in, or included with, this Disclosure Statement, should not be relied upon by you in arriving at your decision. You should promptly report unauthorized representations or inducements to the counsel to the Debtors, the counsel to the Creditors' Committee and the United States Trustee.

2. The Debtors Relied on Certain Exemptions from Registration Under the Securities Act.

This Disclosure Statement has not been filed with the SEC or any state regulatory authority. Neither the SEC nor any state regulatory authority has passed upon the accuracy or adequacy of this Disclosure Statement, or the exhibits or the statements contained herein, and any representation to the contrary is unlawful. This Disclosure Statement has been prepared pursuant to section 1125 of the Bankruptcy Code and Bankruptcy Rule 3016(b) and is not necessarily in accordance with the requirements of federal or state securities laws or other similar laws.

The offer of New Common Units under the Plan has not been registered under the Securities Act or similar state securities or "blue sky" laws. To the maximum extent permitted by section 1145 of the Bankruptcy Code, the Securities Act and other applicable non-bankruptcy law, the issuance of the New Common Units or any shares reserved for issuance under the Management Equity Incentive Plan, will be exempt from registration under the Securities Act by virtue of section 1145 of the Bankruptcy Code, Section 4(a)(2) of the Securities Act, Rule 701 promulgated under the Securities Act, or a "no sale" under the Securities Act as described herein.

3. The Information Herein Was Provided by the Debtors and Relied Upon by Their Advisors.

The Debtors have used their reasonable business judgment to ensure the accuracy of the information, including financial information, provided in this Disclosure Statement, the Plan and related documents. Nonetheless, the Debtors cannot, and do not, confirm the current accuracy of every statement appearing in this Disclosure Statement.

Statements contained in this Disclosure Statement are made by the Debtors as of the date hereof, unless otherwise specified herein, and the delivery of this Disclosure Statement after that date does not imply that there has not been a change in the information set forth herein since that date. **Although the Debtors may subsequently update the information in this Disclosure Statement, the Debtors have no affirmative duty to do so unless ordered to do so by the Bankruptcy Court.**

The financial information contained in this Disclosure Statement has not been audited. In preparing this Disclosure Statement, the Debtors relied on financial data derived from their books and records that was available at the time of such preparation. While the Debtors believe that such financial information fairly reflects the financial condition of the Debtors, the Debtors are unable to warrant or represent that the financial information contained herein and attached hereto is without inaccuracies.

Counsel to and other advisors retained by the Debtors have relied upon information provided by the Debtors in connection with the preparation of this Disclosure Statement. Although counsel to and other advisors retained by the Debtors have performed certain limited due diligence in connection with the preparation of this Disclosure Statement, they have not verified independently the information contained herein.

4. No Legal or Tax Advice Is Provided to You by this Disclosure Statement.

This Disclosure Statement is not legal advice to you. The contents of this Disclosure Statement should not be construed as legal, business or tax advice. Each Holder of a Claim or an Equity Interest should consult his or her own legal counsel and tax advisor with regard to any legal, tax and other matters concerning his or her Claim or

Equity Interest. This Disclosure Statement may not be relied upon for any purpose other than to determine how to vote on the Plan or object to Confirmation of the Plan.

5. No Admissions Are Made by This Disclosure Statement.

The information and statements contained in this Disclosure Statement will neither constitute an admission of any fact or liability by any Entity (including, without limitation, the Debtors) nor be deemed evidence of the tax or other legal effects of the Plan on the Debtors, the Reorganized Debtors, Holders of Allowed Claims or Equity Interests or any other parties in interest. The vote by a Holder of an Allowed Claim for or against the Plan does not constitute a waiver or release of any Claims or rights of the Debtors or the Reorganized Debtors (or any party in interest, as the case may be) to object to that Holder's Allowed Claim, or recover any preferential, fraudulent or other voidable transfer or assets, regardless of whether any Causes of Action of the Debtors or their respective Estates are specifically or generally identified herein.

In addition, no reliance should be placed on the fact that a particular litigation claim or projected objection to a particular Claim or Equity Interest is, or is not, identified in this Disclosure Statement. The Debtors or the Reorganized Debtors may seek to investigate, file and prosecute Claims and Equity Interest and may object to Claims after the Confirmation or Effective Date of the Plan irrespective of whether this Disclosure Statement identifies such Claims or Objections to Claims.

IX.

CERTAIN U.S. FEDERAL INCOME TAX CONSEQUENCES OF THE PLAN

A. BRIEF OVERVIEW AND DISCLOSURE

The following discussion is a summary of certain U.S. federal income tax consequences of the consummation of the Plan to the Debtors, the Reorganized Debtors, and to certain U.S. Holders and Non-U.S. Holders (each as defined below) of Claims entitled to vote on the Plan, and it does not address the U.S. federal income tax consequences to Holders of Claims who are Unimpaired or otherwise not entitled to vote on the Plan. This summary is based on the Internal Revenue Code of 1986, as amended (the “IRC”), the U.S. Treasury Regulations promulgated thereunder (the “Treasury Regulations”), judicial decisions, revenue rulings and revenue procedures of the U.S. Internal Revenue Service (the “IRS”) and any other published administrative rules and pronouncements of the IRS, all as in effect on the date of this Disclosure Statement and all of which are subject to change or differing interpretations of applicable tax law may have retroactive effect and could significantly affect the U.S. federal income tax consequences describe below. Due to the lack of definitive judicial and administrative authority in a number of areas, substantial uncertainty may exist with respect to some of the tax consequences described below. No opinion of counsel has been obtained and the Debtors do not intend to seek a ruling from the IRS as to any of the tax consequences of the Plan discussed below. The discussion below is not binding upon the IRS or the courts. No assurance can be given that the IRS would not assert, or that a court would not sustain, a different position than any position discussed herein.

This summary does not address non-U.S., state, local, or non-income tax consequences of the Plan (including such consequences with respect to the Debtors or the Reorganized Debtors), nor does it purport to address all aspects of U.S. federal income taxation that may be relevant to a Holder in light of its individual circumstances or to a Holder that may be subject to special tax rules (such as persons who are related to the Debtors within the meaning of the IRC, persons liable for alternative minimum tax, U.S. Holders whose functional currency is not the U.S. dollar, U.S. expatriates, certain former citizens or long-term residents of the United States, broker-dealers, banks, mutual funds, insurance companies, financial institutions, retirement plans, small business investment companies, regulated investment companies, real estate investment trusts, tax-exempt organizations, controlled foreign corporations, passive foreign investment companies, partnerships (or other entities treated as partnerships or other pass-through entities), beneficial owners of partnerships (or other entities treated as partnerships or other pass-through entities), subchapter S corporations, Holders of Claims or who will hold the New Common Units or the New First Lien Facility and New Second Lien Term Loan Facility, as part of a straddle, hedge, conversion transaction, or other integrated investment, persons using a mark-to-market method of accounting, and Holders of Claims who are themselves in bankruptcy). Furthermore, this summary assumes that a Holder of a Claim holds only Claims in a single Class and holds such a Claim only as a “capital asset” (within the meaning of section 1221 of the IRC). This summary also assumes that the Claims to which any of the Debtors are a party will be respected for U.S. federal income tax purposes in accordance with their form, and that the Claims constitute interests in the Debtors “solely as a creditor” for purposes of section 897 of the IRC. This discussion does not address the U.S. federal income tax consequences to Holders (a) whose Claims are Unimpaired or otherwise entitled to payment in full under the Plan, or (b) that are deemed to accept or deemed to reject the Plan. Additionally, this discussion does not address any consideration being received other than in a person’s capacity as a Holder of a Claim. For the avoidance of doubt, this summary does not discuss the treatment of the receipt of the New Incentive Units pursuant to the Management Incentive Plan.

For purposes of this discussion, the term “U.S. Holder” means a Holder of a Claim (including a beneficial owner of a Claim), that is, for U.S. federal income tax purposes, (i) an individual citizen or resident of the United States, (ii) a corporation, or other entity treated as a corporation, created or organized in or under the laws of the United States or any state thereof or the District of Columbia, (iii) a trust if (a) a court within the United States is able to exercise primary jurisdiction over the trust’s administration and one or more U.S. persons (within the meaning of section 7701(a)(30) of the IRC) have the authority to control all substantial decisions of the trust or (b) such trust has made a valid election under applicable Treasury Regulations to be treated as a U.S. person for U.S. federal income tax purposes, or (iv) an estate, the income of which is includible in gross income for U.S. federal income tax purposes regardless of its source.

For purposes of this discussion, a “Non-U.S. Holder” is any Holder of a Claim that is neither a U.S. Holder nor a partnership (or other entity treated as a partnership or other pass-through entity for U.S. federal income tax

purposes). In the case of a Holder that is classified as a partnership for U.S. federal income tax purposes, the tax treatment of a partner generally will depend upon the status of the partner and the activities of the partner or the partnership. If you are a partner (or other beneficial owner) of a partnership (or other entity treated as a partnership or other pass-through entity) that is, or will be, a Holder of a Claim, then you should consult your own tax advisors.

The following discussion assumes that each Holder of a Claim holds its Claim as a “capital asset” within the meaning of Section 1221 of the IRC.

ACCORDINGLY, THE FOLLOWING SUMMARY OF CERTAIN U.S. FEDERAL INCOME TAX CONSEQUENCES IS FOR INFORMATIONAL PURPOSES ONLY AND IS NOT A SUBSTITUTE FOR CAREFUL TAX PLANNING AND ADVICE BASED UPON THE INDIVIDUAL CIRCUMSTANCES PERTAINING TO YOU. ALL HOLDERS OF CLAIMS ARE URGED TO CONSULT THEIR OWN TAX ADVISORS AS TO THE U.S. FEDERAL, STATE, LOCAL, NON-U.S., NON-INCOME, AND OTHER TAX CONSEQUENCES OF THE PLAN.

B. CONSEQUENCES TO THE DEBTORS AND REORGANIZED DEBTORS

1. Cancellation of Indebtedness Income and Reduction of Tax Attributes

In general, absent an exception, a debtor will realize and recognize cancellation of debt income (“COD Income”) upon satisfaction of its outstanding indebtedness for total consideration less than the amount of such indebtedness. The amount of COD Income, in general, is the excess of (a) the adjusted issue price of the indebtedness satisfied over (b) the sum of (x) the amount of Cash paid, (y) the adjusted issue price of any new indebtedness of the taxpayer issued and (z) the fair market value of any new consideration given in satisfaction of such indebtedness at the time of the exchange. The amount of COD Income, if any, and, accordingly, the amount of tax attributes required to be reduced, will depend on the fair market value (or, in the case of debt instruments, the adjusted issue price) of various forms of consideration to be received by Holders of Claims under the Plan. These amounts cannot be known with certainty until after the Effective Date and, as a result, the total amount of attribute reduction as a result of the Plan cannot be determined until after the Effective Date.

A debtor will not, however, be required to include any amount of COD Income in gross income if the debtor is under the jurisdiction of a court in a case under chapter 11 of the Bankruptcy Code and the discharge of debt occurs pursuant to that proceeding, as would be the case if the Plan were approved. Instead, as a consequence of such exclusion, a debtor must reduce certain of its tax attributes by the amount of COD Income that it excluded from gross income pursuant to Section 108 of the IRC. In general, tax attributes will be reduced in the following order: (a) net operating losses (“NOLs”) and NOL carryforwards; (b) most tax credits; (c) capital loss carryovers; (d) tax basis in assets (but not below the amount of liabilities to which the Reorganized Debtor remains subject immediately after the discharge); (e) passive activity loss and credit carryovers; and (f) foreign tax credits. Alternatively, a debtor with COD Income may elect first to reduce the basis of its depreciable assets pursuant to Section 108(b)(5) of the IRC, though it has not been determined whether the Debtors would make this election. The applicable Treasury Regulations do not currently treat the carryforward of disallowed interest deductions under section 163(j) of the IRC as subject to attribute reduction. Except as provided below in “3. Excess Loss Accounts”, any excess COD Income over the amount of available tax attributes will generally not give rise to U.S. federal income tax and will generally have no other U.S. federal income tax impact.

In the context of an affiliated group of corporations filing a consolidated return, the tax rules provide for a complex ordering mechanism in determining how the tax attributes of one member can be reduced by the COD Income of another member. Treasury Regulations applicable to an affiliated group of corporations, like the Debtors, provide that the tax attributes of each member that is excluding COD Income are first subject to reduction before reducing tax attributes of other members of such group. To the extent the debtor member’s tax basis in stock of a lower-tier member of the affiliated group is reduced, a “look through rule” requires that a corresponding reduction be made to the tax attributes of the lower-tier member. If a debtor member’s excluded COD Income exceeds its tax attributes, the excess COD Income is applied to reduce certain remaining consolidated tax attributes of the affiliated group. Any excess COD Income over the amount of available tax attributes is not subject to U.S. federal income tax and generally has no other U.S. federal income tax impact.

Because the Plan provides that Holders of certain Claims will receive shares of the New Common Units, the amount of COD Income, and accordingly the amount of tax attributes required to be reduced, will depend on the fair market value (or, in the case of debt instruments, the adjusted issue price) of various forms of consideration to be received by Holders of Claims under the Plan. These amounts cannot be known with certainty until after the Effective Date and, as a result, the total amount of attribute reduction as a result of the Plan cannot be determined until after the Effective Date. Following this reduction, the Debtors expect that, subject to the limitations discussed herein and subject to whether the Debtors decide to reduce first the basis in their depreciable assets, they may not have NOL carryforwards remaining after emergence from chapter 11, but will have other significant tax attributes remaining.

2. Limitation of NOL Carryforwards and Other Tax Attributes

As of the tax year ending February 2, 2019, the Debtors had approximately \$251 million of U.S. federal NOLs, \$341 million of U.S. state NOLs, \$88 million of federal tax credits, and \$48 million of interest deductions that have been deferred under section 163(j) of the Tax Code (the “163(j) Deductions”). After giving effect to the reduction in tax attributes pursuant to excluded COD Income described above, the Reorganized Debtors’ ability to use any remaining tax attributes post-emergence will be subject to certain limitations under sections 382 and 383 of the IRC.

Under the transactions contemplated by the Plan, the Debtors would not be expected to recognize any taxable gain or loss as a result of the implementation of the Plan. Subject to the discussion above regarding attribute reduction as a result of COD Income, and the discussion below regarding excess loss accounts, the Debtors’ tax basis in their assets would remain unchanged. Further, the 163(j) Deductions may remain available for use following the implementation of the Plan, subject to the discussion below regarding section 382 of the IRC.

Under Section 382 and 383 of the IRC, if a corporation undergoes an “ownership change,” the amount of any remaining NOL carryforwards, tax credit carryforwards, 163(j) Deductions, and possibly certain other attributes (potentially including losses and deductions that have accrued economically but are unrecognized as of the date of the ownership change) of the Debtors allocable to periods prior to the Effective Date (collectively, “Pre-Change Losses”) that may be utilized to offset future taxable income generally is subject to an annual limitation. For this purpose, if a corporation (or consolidated group) has a net unrealized built-in loss at the time of an ownership change (taking into account most assets and items of “built-in” income and deductions), then generally built-in losses (including amortization or depreciation deductions attributable to such built-in losses) recognized during the following five years (up to the amount of the original net unrealized built-in loss) will be treated as Pre-Change Losses and similarly will be subject to the annual limitation. In general, a corporation’s (or consolidated group’s) net unrealized built-in loss will be deemed to be zero unless it is greater than the lesser of (a) \$10 million, or (b) 15% of the fair market value of its assets (with certain adjustments) before the ownership change. As discussed in greater detail herein, the Debtors anticipate that the issuance of the New Common Units pursuant to the Plan will result in an “ownership change” of the Debtors for these purposes, and that the Debtors’ use of their Pre-Change Losses will be subject to limitation unless an exception to the general rules of Section 382 of the IRC applies.

(a) General Section 382 Annual Limitation

This discussion refers to the limitation determined under Section 382 of the IRC in the case of an “ownership change” as the “Section 382 Limitation.” In general, the annual Section 382 Limitation on the use of Pre-Change Losses in any “post-change year” is equal to the product of (a) the fair market value of the stock of the corporation immediately before the “ownership change” (with certain adjustments) multiplied by (b) the “long-term tax-exempt rate” (which is the highest of the adjusted federal long-term rates in effect for any month in the 3-calendar-month period ending with the calendar month in which the “ownership change” occurs, currently 2.31% for August 2019). If the Debtors are in a net unrealized built in gain position, the Section 382 Limitation may be increased to the extent that the Debtors recognize certain built-in gains in their assets during the five-year period following the ownership change, or are treated as recognizing built-in gains pursuant to the safe harbors provided in IRS Notice 2003-65. Section 383 of the IRC applies a similar limitation to capital loss carryforwards and tax credits. Any unused limitation may be carried forward, thereby increasing the annual limitation in the subsequent taxable year. As discussed below, however, special rules may apply in the case of a corporation which experiences an ownership change as the result of a bankruptcy proceeding.

The issuance under the Plan of the New Common Units, along with the cancellation of Existing Equity Interests through the Plan, is expected to cause an ownership change with respect to the Debtors on the Effective Date. As a result, unless an exception applies, Section 382 of the IRC will apply to limit the Debtors' use of any remaining Pre-Change Losses after the Effective Date. This limitation is independent of, and in addition to, the reduction of tax attributes described in the preceding section resulting from the exclusion of COD Income.

(b) Special Bankruptcy Exceptions

Special rules may apply in the case of a corporation that experiences an "ownership change" as a result of a bankruptcy proceeding. One exception to the foregoing annual limitation rules generally applies when shareholders and so-called "qualified creditors" of a debtor company in chapter 11 receive, in respect of their claims, at least 50% of the vote and value of the stock of a debtor corporation (or a controlling corporation if also in chapter 11) as reorganized pursuant to a confirmed chapter 11 plan (the "382(l)(5) Exception"). Under the 382(l)(5) Exception, a debtor's Pre-Change Losses are not limited on an annual basis but, instead, the debtor's NOL carryforwards would be reduced by the amount of any interest deductions claimed during any taxable year ending during the three taxable years period preceding the effective date of the plan of reorganization, and during the part of the taxable year prior to and including the effective date of the plan of reorganization, in respect of all debt converted into stock in the reorganization. If the 382(l)(5) Exception applies and the Reorganized Debtors undergo another ownership change within two years after the Effective Date, then the debtor's Pre-Change Losses thereafter would be effectively eliminated in their entirety.

Where the 382(l)(5) Exception is not applicable (either because a debtor does not qualify for it or a debtor otherwise elects not to utilize the 382(l)(5) Exception), another exception will generally apply (the "382(l)(6) Exception"). Under the 382(l)(6) Exception, the annual limitation will be calculated by reference to the lesser of (a) the value of the debtor corporation's new stock (with certain adjustments) immediately after the ownership change or (b) the value of such debtor corporation's assets (determined without regard to liabilities) immediately before the ownership change. This calculation differs from the ordinary rule that requires the fair market value of a debtor corporation that undergoes an ownership change to be determined before the events giving rise to the change. The 382(l)(6) Exception also differs from the 382(l)(5) Exception in that, under the 382(l)(6) Exception, the debtor corporation is not required to reduce its NOL carryforwards by interest deductions claimed within the prior three-year period, and the debtor may undergo a change of ownership within two years without automatically triggering the effective elimination of its Pre-Change Losses (rather, the resulting limitation would be determined under the regular rules for ownership changes).

Regardless of whether the Reorganized Debtors take advantage of the 382(l)(6) Exception or the 382(l)(5) Exception, the Reorganized Debtors' use of any Pre-Change Losses after the Effective Date may be adversely affected if an "ownership change" within the meaning of Section 382 of the IRC were to occur after the Effective Date.

The Debtors have not determined whether the 382(l)(5) Exception will be available or, if it is available, whether the Reorganized Debtors will elect out of its application.

3. Excess Loss Accounts

Generally, when corporations are members of an affiliated group filing a consolidated return, a parent corporation's basis in the stock of a subsidiary in such a group is (a) increased by the sum of (i) income of such subsidiary and (ii) contributions to such subsidiary, and (b) reduced by the sum of (i) losses or deductions of such subsidiary that are used by the affiliated group and (ii) distributions from such subsidiary. In the case that the amount described in clause (b) above exceeds the amount described in clause (a) above, and such excess is greater than the parent corporation's basis in the subsidiary stock before the adjustments specified in clauses (a)-(b) are made, the amount by which such excess is greater than the parent corporation's basis in the subsidiary stock is called an "excess loss account" and is treated as negative basis for U.S. federal income tax purposes. The affiliated group must recognize income equal to the excess loss account in the subsidiary's stock in certain events, including (x) to the extent the subsidiary recognizes COD Income that is excluded from gross income pursuant to section 108 of the Code (as discussed above), and the affiliated group does not reduce its tax attributes by such excluded COD Income, and (y) if the stock of the subsidiary is treated as disposed of for no consideration. Alternatively, if a corporation sells the stock of a subsidiary in which it has an excess loss account, its taxable gain recognized on the disposition

will be increased by such amount. It is possible that a Debtor will exclude COD Income in excess of available tax attributes and that there could be an excess loss account in the stock of that Debtor. In that case, the Debtors will recognize taxable income in the amount of such excess COD Income, but not to exceed the amount of the excess loss account.

Similarly, in the event that a subsidiary within a an affiliated group is owed a debt (whether evidenced by a note or an intercompany account), and all or part of the debt is forgiven, it generally would be treated as a constructive distribution, which would have the effect of reducing the basis (or increasing the excess loss account) of the immediate parent corporation in the subsidiary. In the event that such debt is not forgiven, but the creditor subsidiary liquidates without the obligation being satisfied or, under the facts, suffers a *de facto* liquidation (such as by becoming dormant, not having meaningful assets, or no longer conducting any meaningful business).

The immediate corporate parents of several U.S. subsidiaries within the Debtors' affiliated group have excess loss accounts and/or owe significant intercompany balances to the subsidiaries, largely due to distributions or advances made prior to the Prior Cases. The proposed Plan contemplates continued business operations integral to the overall business of Debtors by the subsidiaries for which there are excess loss accounts. Accordingly, the Debtors believe that any material excess loss accounts should not be triggered in the proposed restructuring under the Plan. In the event of an actual or de facto liquidation of these subsidiaries, very large tax liabilities would result, and, could prevent confirmation of the proposed Plan. If the Plan were to be converted to Chapter 7, those excess loss accounts would be recognized and recoveries to unsecured creditors would be reduced by the amount of such tax liabilities.

4. Transfer of Assets to a Liquidating Trust

Pursuant to the Plan, on or before the Effective Date, a Liquidating Trust will be established for the sole purpose of liquidating and administering the Liquidating Trust Assets and making distributions to holders of Class 5A or Class 5B Claims in accordance with Treasury Regulations Section 301.7701-4(d). On the Effective Date, all of the Liquidating Trust Assets of the holders of Class 5A or Class 5B Claims will be transferred to the Liquidating Trust. For U.S. federal income tax purposes, the transfer of the Liquidating Trust Assets to the Liquidating Trust generally is treated as equivalent to a sale of the assets at then fair market value. See Section E.— “Tax Treatment of the Liquidating Trusts and Holders of Beneficial Interests Therein,” below.

Although the Debtors may recognize taxable income in connection with the transfer of the Liquidating Trust Assets to the Liquidating Trust and their liquidation (which is intended to occur prior to December 31, 2019), the Debtors expect to have sufficient available NOLs and/or other tax attributes to avoid any meaningful U.S. federal, state, local or foreign income tax liability.

5. Other Income and Uncertainty of Debtors' Tax Treatment

No assurance can be given that the IRS will agree with the Debtors' interpretations of the tax rules applicable to, or tax positions taken with respect to, the transactions undertaken to effect the Plan. If the IRS were to successfully challenge any such interpretation or position, the Debtors may recognize additional taxable income for U.S. federal income tax purposes, and the Debtors may not have sufficient deductions, losses or other attributes for U.S. federal income tax purposes to fully offset such income.

C. CONSEQUENCES TO U.S. HOLDERS OF ALLOWED CLAIMS

The U.S. federal income tax consequences to a U.S. Holder of a Claim will depend, in part, on whether the Claim surrendered constitutes a “security” of a Debtor for U.S. federal income tax purposes.

Neither the IRC nor the Treasury Regulations promulgated thereunder defines the term “security.” Whether a debt instrument constitutes a “security” is determined based on all relevant facts and circumstances, but most authorities have held that the length of the term of a debt instrument at initial issuance is an important factor in determining whether such instrument is a security for U.S. federal income tax purposes. These authorities have indicated that a term of less than five years is evidence that the instrument is not a security, whereas a term of ten years or more is evidence that it is a security. There are numerous other factors that could be taken into account in determining whether a debt instrument is a security, including the available collateral, the creditworthiness of the

obligor, the subordination or lack thereof with respect to other creditors, the right to vote or otherwise participate in the management of the obligor, convertibility of the instrument into an interest of the obligor, whether payments of interest are fixed, variable, or contingent, and whether such payments are made on a current basis or accrued. Note that the Tranche A-2 Term Loan has a term of exactly five years, and thus might be eligible for treatment as a “security.” **Due to the inherently factual nature of the determination, U.S. Holders are urged to consult their tax advisors regarding the status of the Tranche A-1 Term Loan Secured Claims or Tranche A-2 Term Loan Secured Claims as “securities” for U.S. federal income tax purposes.**

1. U.S. Federal Income Tax Consequences to the U.S. Holders of Allowed Prepetition Term Loan Claims

Pursuant to the Plan, each U.S. Holder of a Tranche A-1 Term Loan Claim shall receive its *pro rata* share of \$68,800,000. Each U.S. Holder of a Tranche A-2 Term Loan Secured Claim shall receive its *pro rata* share of 100% of the New Common Units, unless such Holder timely and validly elects to receive cash in the amount of 10% of such Holder’s Allowed Tranche A-2 Term Loan Secured Claim in accordance with the Plan pursuant to the Cash Election Agreement in lieu of receiving New Common Units.

(a) Exchange of an Allowed Prepetition Tranche A-2 Term Loan Secured Claim for New Common Units

If the Tranche A-2 Term Loan Secured Claim qualifies as a “security” of Payless, then the U.S. Holder of this Claim should be treated as receiving its distribution under the Plan in a “recapitalization” for U.S. federal income tax purposes. Other than with respect to any amounts received that are attributable to accrued but untaxed interest, the U.S. Holder should recognize no gain or loss upon receipt of the New Common Units. The U.S. Holder should obtain a tax basis in the New Common Units equal to the adjusted tax basis of the U.S. Holders’ exchanged Claim. The holding period for New Common Units received should include the holding period for the exchanged Claim.

If the Tranche A-2 Term Loan Secured Claim does not constitute a “security,” then the U.S. Holder of this Claim will be treated as receiving its distribution under the Plan in a taxable exchange under section 1001 of the IRC. Other than with respect to any amounts received that are attributable to accrued but untaxed interest, the U.S. Holder should recognize gain or loss in an amount equal to the difference, if any, between (a) the fair value of the New Common Units received and (b) the U.S. Holder’s adjusted tax basis in its Claim. The character of such gain as capital gain or ordinary income will be determined by a number of factors including the tax status of the U.S. Holder, the rules regarding “market discount” (as discussed below) and accrued but untaxed interest, whether the Claim constitutes a capital asset in the hands of the U.S. Holder, and whether and to what extent the U.S. Holder had previously claimed a bad debt deduction with respect to its Claim. If recognized gain or loss is capital in nature, it generally would be long-term capital gain if the U.S. Holder held its Claim for more than one year at the time of the exchange. The holding period for the New Common Units received should begin on the day following the Effective Date. Subject to the rules regarding accrued but untaxed interest, the U.S. Holder should obtain a tax basis in the New Common Units equal to the fair market value of the New Common Units.

(b) Exchange of an Allowed Prepetition Tranche A-2 Term Loan Secured Claim for Cash and an Allowed Prepetition Tranche A-1 Term Loan Claim

For Tranche A-1 Term Loan Claims and for U.S. Holders of Tranche A-2 Term Loan Claims who make a Cash Election, such exchanges should be treated as a taxable exchange under Section 1001 of the IRC. The U.S. Holder should recognize capital gain or loss equal to the difference between (i) the Cash received and (ii) the U.S. Holder’s adjusted tax basis in its claim. Such gain or loss should be capital in character (subject to the “market discount” rules described below) and should be long-term capital gain or loss if the debts constituting the surrendered Tranche A-1 Term Loan Claim or Tranche A-2 Term Loan Claim with Cash Election, as applicable, were held for more than one year. To the extent that a portion of the Tranche A-1 Term Loan Claim or Tranche A-2 Term Loan Claim, as applicable, is allocable to accrued but untaxed interest, the U.S. Holder may recognize ordinary interest income. See “Accrued Interest” below.

2. Holders of Allowed General Unsecured Claims

Pursuant to the Plan, each U.S. Holder of an Allowed General Unsecured Claim shall receive its pro rata share of the Liquidating Trust, as further described above. In general, a holder of an Allowed General Unsecured Claim will recognize gain or loss with respect to its Allowed General Unsecured Claim in an amount equal to the difference between (i) the sum of the amount of any Cash and the fair market value of its undivided interest in the Liquidating Trust Assets consistent with its economic rights in the trust received in respect of its Claim (other than any consideration attributable to a Claim for accrued but unpaid interest or original issue discount (“OID”)) and (ii) the adjusted tax basis of the Claim exchanged therefor (other than any tax basis attributable to accrued but unpaid interest or accrued OID previously included in the holder’s taxable income). Pursuant to the Plan, the Liquidating Trustee will in good faith value the assets transferred to the Liquidating Trust, and all parties to the Liquidating Trusts (including holders of Allowed General Unsecured Claims receiving Liquidating Trust Interests) must consistently use such valuation for all U.S. federal income tax purposes. To the extent that a portion of the Allowed General Unsecured Claim, as applicable, is allocable to accrued but untaxed interest, the U.S. Holder may recognize ordinary interest income. See “Accrued Interest” below.

In the event of the subsequent disallowance of any Disputed General Unsecured Claim or the reallocation of undeliverable distributions, it is possible that a holder of a previously Allowed Claim may receive additional distributions in respect of its Claim. Accordingly, it is possible that the recognition of any loss realized by a holder with respect to an Allowed General Unsecured Claim may be deferred until all General Unsecured Claims are Allowed or Disallowed. Alternatively, it is possible that a holder will have additional gain in respect of any additional distributions received. *See also* Section C.3.—“Tax Treatment of the Liquidating Trust and Holders of Beneficial Interests Therein – Tax Reporting for Assets Allocable to Disputed Claims,” below.

After the Effective Date, a holder’s share of any collections received on the assets of the Liquidating Trust (other than as a result of the subsequent disallowance of Disputed Claims or the reallocation of undeliverable distributions) should not be included, for federal income tax purposes, in the holder’s amount realized in respect of its Allowed Claim but should be separately treated as amounts realized in respect of such holder’s ownership interest in the underlying assets of the Liquidating Trust.

If gain or loss is recognized, such gain or loss may be long-term capital gain or loss if the Allowed General Unsecured Claim disposed of is a capital asset in the hands of the holder and has been held for more than one year. Each holder of an Allowed General Unsecured Claim should consult its tax advisor to determine whether gain or loss recognized by such holder will be long-term capital gain or loss and the specific tax effect thereof on such holder. The character of any gain or loss depends on, among other things, the origin of the holder’s Allowed General Unsecured Claim, when the holder receives payment in respect of such Allowed General Unsecured Claim, whether the holder reports income using the accrual or cash method of tax accounting, whether the holder acquired its Allowed General Unsecured Claim at a discount, whether the holder has taken a bad debt deduction with respect to such Allowed General Unsecured Claim, and/or whether (as intended and herein assumed) the Plan implements the liquidation of the Debtors for U.S. federal income tax purposes.

A holder’s aggregate tax basis in its undivided interest in the Liquidating Trust Assets will equal the fair market value of such interest increased by its share of the Debtors’ liabilities to which such assets remain subject upon transfer to the Liquidating Trust, and a holder’s holding period generally will begin the day following establishment of the Liquidating Trust.

3. Issue Price

The determination of “issue price” for purposes of this analysis will depend, in part, on whether the debt instruments issued to a U.S. Holder or the property surrendered under the Plan are traded on an “established securities market” at any time during the 60-day period ending thirty (30) days after the Effective Date. In general, a debt instrument (or the stock or securities exchanged therefor) will be treated as traded on an established market if (a) it is listed on (i) a qualifying national securities exchange, (ii) certain qualifying interdealer quotation systems, or (iii) certain qualifying non-U.S. securities exchanges; (b) it appears on a system of general circulation that provides a reasonable basis to determine fair market value; or (c) in certain situations the price quotations are readily available from dealers, brokers or traders. The issue price of a debt instrument that is traded on an established market (or that is issued for stock or securities so traded) would be the fair market value of such debt instrument (or

such stock or securities so traded) on the issue date as determined by such trading. The issue price of a debt instrument that is neither so traded nor issued for stock or securities so traded would be its stated principal amount (provided that the interest rate on the debt instrument exceeds the applicable federal rate published by the IRS).

4. Accrued Interest

To the extent that any amount received by a U.S. Holder of a surrendered Allowed Claim under the Plan is attributable to accrued but untaxed interest and such amount has not previously been included in the U.S. Holder's gross income, such amount should be taxable to the U.S. Holder as ordinary interest income for U.S. federal income tax purposes. Conversely, a U.S. Holder of a surrendered Allowed Claim may be able to recognize a deductible loss to the extent that any accrued interest on the Claims was previously included in the U.S. Holder's gross income but was not paid in full by the Debtors. Such loss may be ordinary, but the tax law is unclear on this point.

The extent to which the consideration received by a U.S. Holder of a surrendered Allowed Claim will be attributable to accrued interest on the debts constituting the surrendered Allowed Claim is unclear. Certain legislative history indicates that an allocation of consideration as between principal and interest provided in a chapter 11 plan of reorganization is binding for U.S. federal income tax purposes, while certain Treasury Regulations generally treat a payment under a debt instrument first as a payment of accrued and untaxed interest and then as a payment of principal. Application of this rule to a final payment on a debt instrument being discharged at a discount in bankruptcy is unclear.

Pursuant to the Plan, distributions in respect of Allowed Claims shall be allocated first to the principal amount of such Claims (as determined for federal income tax purposes) and then, to the extent the consideration exceeds the principal amount of the Claims, to any portion of such Claims for accrued but unpaid interest. However, the provisions of the Plan are not binding on the IRS or a court with respect to the appropriate tax treatment for creditors.

5. Market Discount

Under the "market discount" provisions of Sections 1276 through 1278 of the IRC, some or all of any gain realized by a U.S. Holder exchanging the debt instruments constituting its Allowed Claim may be treated as ordinary income (instead of capital gain), to the extent of the amount of "market discount" on the debt instruments constituting the exchanged Allowed Claim.

In general, a debt instrument is considered to have been acquired with "market discount" if it is acquired other than on original issue and if the U.S. Holder's initial tax basis in the debt instrument is less than (a) the sum of all remaining payments to be made on the debt instrument, excluding "qualified stated interest" or (b) in the case of a debt instrument issued with original issue discount ("OID"), its adjusted issue price, in each case, by at least a de minimis amount (equal to 0.25% of the sum of all remaining payments to be made on the debt instrument, excluding qualified stated interest, multiplied by the number of remaining whole years to maturity).

Any gain recognized by a U.S. Holder on the taxable disposition of an Allowed Claim (determined as described above) of debts that it acquired with market discount should be treated as ordinary income to the extent of the market discount that accrued thereon while such Claims were considered to be held by the U.S. Holder (unless the U.S. Holder elected to include market discount in income as it accrued).

U.S. federal income tax laws enacted in December 2017 added section 451 of the IRC. This new provision generally would require accrual method U.S. Holders that prepare an "applicable financial statement" (as defined in section 451 of the IRC) to include certain items of income (such as market discount) no later than the time such amounts are reflected on such a financial statement. The application of this rule to income of a debt instrument with market discount is effective for taxable years beginning after December 31, 2018. However, the IRS recently announced in Notice 2018-80 that it intends to issue proposed Treasury Regulations confirming that taxpayers may continue to defer income (including market discount income) for tax purposes until there is a payment or sale at a gain. Accordingly, although market discount may have to be included in income currently as it accrues for financial accounting purposes, taxpayers may continue to defer the income for tax purposes. U.S. Holders are urged to consult their own tax advisors concerning the application of the market discount rules to their Claims.

6. Medicare Tax

Certain U.S. Holders that are individuals, estates, or trusts are required to pay an additional 3.8% tax on, among other things, gains from the sale or other disposition of capital assets. U.S. Holders that are individuals, estates, or trusts should consult their tax advisors regarding the effect, if any, of this tax provision on their ownership and disposition of any consideration to be received under the Plan.

7. Limitations on Use of Capital Losses

U.S. Holders of Claims who recognize capital losses as a result of the distributions under the Plan will be subject to limits on their use of capital losses. For non-corporate U.S. Holders, capital losses may be used to offset any capital gains (without regard to holding periods) plus ordinary income to the extent of the lesser of (1) \$3,000 (\$1,500 for married individuals filing separate returns) or (2) the excess of the capital losses over the capital gains. A non-corporate U.S. Holder may carry over unused capital losses and apply them to capital gains and a portion of their ordinary income for an unlimited number of years. For corporate U.S. Holders, losses from the sale or exchange of capital assets may only be used to offset capital gains. A corporate U.S. Holder that has more capital losses than can be used in a tax year may be allowed to carry over the excess capital losses for use in other tax years. Corporate U.S. Holders may only carry over unused capital losses for the five years following the capital loss year, but are allowed to carry back unused capital losses to the three years preceding the capital loss year.

8. U.S. Federal Income Tax Consequences to U.S. Holder Regarding Owning and Disposing of New Common Units

(a) Ownership and Disposition of New Common Units

(i) Dividends on New Common Units

Any distributions made on account of the New Common Units will constitute dividends for U.S. federal income tax purposes to the extent of the current or accumulated earnings and profits of the entity issuing the New Common Units, as determined under U.S. federal income tax principles. “Qualified dividend income” received by a non-corporate U.S. Holder is subject to preferential tax rates. To the extent that a U.S. Holder receives distributions that would otherwise constitute dividends for U.S. federal income tax purposes but that exceed such current and accumulated earnings and profits, such distributions will be treated first as a non-taxable return of capital reducing the U.S. Holder’s basis in the New Common Units. Any such distributions in excess of the U.S. Holder’s basis in its shares (determined on a share-by-share basis) generally will be treated as capital gain.

Subject to applicable limitations, distributions treated as dividends paid to U.S. Holders that are corporations generally will be eligible for the dividends-received deduction. However, the dividends-received deduction is only available if certain holding period requirements are satisfied. The length of time that a shareholder has held its stock is reduced for any period during which the shareholder’s risk of loss with respect to the stock is diminished by reason of the existence of certain options, contracts to sell, short sales, or similar transactions. In addition, to the extent that a corporation incurs indebtedness that is directly attributable to an investment in the stock on which the dividend is paid, all or a portion of the dividends received deduction may be disallowed.

(ii) Sale, Redemption, or Repurchase of New Common Units

Unless a non-recognition provision applies, and subject to the market discount rules discussed above, U.S. Holders generally will recognize capital gain or loss upon the sale, redemption, or other taxable disposition of the New Common Units. Such capital gain will be long-term capital gain if at the time of the sale, redemption, or other taxable disposition, the U.S. Holder held the New Common Units for more than one year. Long-term capital gains of an individual taxpayer generally are taxed at preferential rates. The deductibility of capital losses is subject to certain limitations as described above.

D. U.S. FEDERAL INCOME TAX CONSEQUENCES TO NON-U.S. HOLDERS OF ALLOWED CLAIMS

1. Gain Recognition

Any gain income realized by a Non-U.S. Holder on the exchange of its Claim generally will not be subject to U.S. federal income taxation, unless (a) the Non-U.S. Holder is an individual who was present in the United States for a hundred and eighty-three (183) days or more during the taxable year in which the exchange occurs and certain other conditions are met or (b) such gain is effectively connected with the conduct by such Non-U.S. Holder of a trade or business in the United States (and if an income tax treaty applies, such gain is attributable to a permanent establishment maintained by such Non-U.S. Holder in the United States).

If the first exception applies, the Non-U.S. Holder generally will be subject to U.S. federal income tax at a rate of 30% (or at a reduced rate or exemption from tax under an applicable income tax treaty) on the amount by which such Non-U.S. Holder's capital gains allocable to U.S. sources exceed capital losses allocable to U.S. sources during the taxable year of the exchange. If the second exception applies, the Non-U.S. Holder generally will be subject to U.S. federal income tax with respect to any gain in the same manner as a U.S. Holder (except that the Medicare tax would generally not apply). In addition, if such a Non-U.S. Holder is a corporation, it may be subject to a branch profits tax equal to 30% (or at a reduced rate or exemption from tax under an applicable income tax treaty) of its effectively connected earnings and profits for the taxable year, subject to certain adjustments.

2. Accrued but Untaxed Interest (or OID)

Payments made to a Non-U.S. Holder under the Plan that are attributable to accrued but untaxed interest (or OID) generally will not be subject to U.S. federal income or withholding tax; *provided*, that (a) such Non-U.S. Holder is not a bank, (b) such Non-U.S. Holder does not actually or constructively own 10% or more of the total combined voting power of all classes of the stock of Payless or Reorganized Payless, as applicable, and (c) the withholding agent has received or receives, prior to payment, appropriate documentation (generally, IRS Form W-8BEN or W-8BEN-E, as applicable, or other applicable IRS Form W-8) establishing that the Non-U.S. Holder is not a U.S. person, unless such interest (or OID) is effectively connected with the conduct by the Non-U.S. Holder of a trade or business within the United States (in which case, *provided* the Non-U.S. Holder provides a properly executed IRS Form W-8ECI (or successor form) to the withholding agent, the Non-U.S. Holder (i) generally will not be subject to withholding tax, but (ii) will be subject to U.S. federal income tax in the same manner as a U.S. Holder (unless an applicable income tax treaty provides otherwise), and a Non-U.S. Holder that is a corporation for U.S. federal income tax purposes may also be subject to a branch profits tax with respect to such Non-U.S. Holder's effectively connected earnings and profits that are attributable to the accrued but untaxed interest (or OID) at a rate of 30% (or at a reduced rate or exemption from tax under an applicable income tax treaty)).

A Non-U.S. Holder that does not qualify for exemption from withholding tax with respect to accrued but untaxed interest (or OID) that is not effectively connected income generally will be subject to withholding of U.S. federal income tax at a 30% rate (or at a reduced rate or exemption from tax under an applicable income tax treaty, *provided* certification requirements as discussed below under "U.S. Federal Income Tax Consequences to Non-U.S. Holders of Owning and Disposing of New Common Units — Dividends on New Common Units" are satisfied) on payments that are attributable to accrued but untaxed interest (or OID). For purposes of providing a properly executed IRS Form W-8BEN or W-8BEN-E, as applicable, or other applicable IRS Form W-8, special procedures are provided under applicable Treasury Regulations for payments through qualified foreign intermediaries or certain financial institutions that hold customers' securities in the ordinary course of their trade or business.

3. U.S. Federal Income Tax Consequences to Non-U.S. Holders of Owning and Disposing of New Common Units

(a) Dividends on New Common Units

Any distributions made with respect to the New Common Units will constitute dividends for U.S. federal income tax purposes to the extent of the current or accumulated earnings and profits of the entity issuing the New Common Units, as determined under U.S. federal income tax principles. Except as described below, dividends paid with respect to the New Common Units held by a Non-U.S. Holder that are not effectively connected with such

Non-U.S. Holder's conduct of a U.S. trade or business (and if an income tax treaty applies, are not attributable to a permanent establishment maintained by such Non-U.S. Holder in the United States) will be subject to U.S. federal withholding tax at a rate of 30% (or at a reduced rate or exemption from tax under an applicable income tax treaty). A Non-U.S. Holder generally will be required to satisfy certain IRS certification requirements in order to claim a reduction of or exemption from withholding under a tax treaty by filing IRS Form W-8BEN or W-8BEN-E, as applicable (or a successor form), or other applicable IRS Form W-8, upon which the Non-U.S. Holder certifies, under penalties of perjury, its status as a non-U.S. person and its entitlement to the lower treaty rate or exemption from tax with respect to such payments. Dividends paid with respect to New Common Units held by a Non-U.S. Holder that are effectively connected with a Non-U.S. Holder's conduct of a U.S. trade or business (and if an income tax treaty applies, are attributable to a permanent establishment maintained by such Non-U.S. Holder in the United States) generally will not be subject to withholding tax, *provided* the Non-U.S. Holder provides a properly executed IRS Form W-8ECI (or a successor form). However, such dividends generally will be subject to U.S. federal income tax in the same manner as a U.S. Holder, and a Non-U.S. Holder that is a corporation for U.S. federal income tax purposes may also be subject to a branch profits tax with respect to such Non-U.S. Holder's effectively connected earnings and profits that are attributable to the dividends at a rate of 30% (or at a reduced rate or exemption from tax under an applicable income tax treaty).

(b) Sale, Redemption, or Repurchase of New Common Units

A Non-U.S. Holder generally will not be subject to U.S. federal income tax with respect to any gain realized on the sale or other taxable disposition (including a cash redemption) of New Common Units unless: (a) such Non-U.S. Holder is an individual who is present in the United States for a hundred eighty-three (183) days or more in the taxable year of disposition and certain other conditions are met; (b) such gain is effectively connected with such Non-U.S. Holder's conduct of a U.S. trade or business (and if an income tax treaty applies, such gain is attributable to a permanent establishment maintained by such Non-U.S. Holder in the United States); or (c) Reorganized Payless is or has been during a specified testing period a "U.S. real property holding corporation" for U.S. federal income tax purposes.

If the first exception applies, the Non-U.S. Holder generally will be subject to U.S. federal income tax at a rate of 30% (or at a reduced rate or exemption from tax under an applicable income tax treaty) on the amount by which such Non-U.S. Holder's capital gains allocable to U.S. sources exceed capital losses allocable to U.S. sources during the taxable year of disposition of New Common Units. If the second exception applies, the Non-U.S. Holder generally will be subject to U.S. federal income tax with respect to such gain in the same manner as a U.S. Holder, and a Non-U.S. Holder that is a corporation for U.S. federal income tax purposes may also be subject to a branch profits tax with respect to earnings and profits effectively connected with a U.S. trade or business that are attributable to such gains at a rate of 30% (or at a reduced rate or exemption from tax under an applicable income tax treaty). Based on the Reorganized Debtors' current business plans and operations, the Debtors do not anticipate that Payless is or was, or that any of the Reorganized Debtors will be a "U.S. real property holding corporation" for U.S. federal income tax purposes.

4. FATCA

Under the Foreign Account Tax Compliance Act ("FATCA"), foreign financial institutions and certain other foreign entities must report certain information with respect to their U.S. account holders and investors or be subject to withholding on the receipt of "withholdable payments." For this purpose, "withholdable payments" are generally U.S.-source payments of fixed or determinable, annual or periodical income (including dividends, if any, on shares of New Common Units). Additionally, although FATCA withholding may also apply to gross proceeds of a disposition of property of a type that can produce U.S.-source interest or dividends, recently proposed U.S. Treasury Regulations suspend withholding on such gross proceeds payments indefinitely (which rule would apply to the New Common Units). FATCA withholding will apply even if the applicable payment would not otherwise be subject to U.S. federal nonresident withholding tax.

BOTH U.S. HOLDERS AND NON-U.S. HOLDERS SHOULD CONSULT THEIR TAX ADVISORS REGARDING THE POSSIBLE IMPACT OF THE FATCA RULES ON SUCH HOLDERS' EXCHANGE OF ANY OF THEIR CLAIMS PURSUANT TO THE PLAN.

E. TAX TREATMENT OF THE LIQUIDATING TRUST AND HOLDERS OF BENEFICIAL INTERESTS THEREIN

As indicated above, the Liquidating Trustee will transfer the Liquidating Trust Assets to the Liquidating Trust on behalf of the Holders of Allowed General Unsecured Claims. The foregoing discussion does not generally address the consequences to non-U.S. holders; accordingly, such holders should consult their tax advisors with respect to the U.S. federal income tax consequences of the Plan, including owning an interest in the Liquidating Trust.

1. Classification of the Liquidating Trust

The Liquidating Trust is intended to qualify as a “liquidating trust” for U.S. federal income tax purposes (other than in respect of any portion of the Liquidating Trust Assets allocable to, or retained on account of, Disputed Claims, as discussed below). In general, a liquidating trust is not a separate taxable entity but rather is treated for U.S. federal income tax purposes as a “grantor” trust (i.e., a pass-through entity). The IRS, in Revenue Procedure 94-45, 1994-2 C.B. 684, set forth the general criteria for obtaining an IRS ruling as to the grantor trust status of a liquidating trust under a chapter 11 plan. The Liquidating Trust will be structured with the intention of complying with such general criteria. Pursuant to the Plan, and in conformity with Revenue Procedure 94-45 all parties (including, without limitation, the Debtors, the Liquidating Trustee and Liquidating Trust Beneficiaries) shall treat the transfer of Liquidating Trust Assets to the Liquidating Trust as (1) a transfer of the Liquidating Trust Assets (subject to any obligations relating to those assets) directly to Liquidating Trust Beneficiaries (other than to the extent Liquidating Trust Assets are allocable to Disputed Claims), followed by (2) the transfer by such beneficiaries to the Liquidating Trust of Liquidating Trust Assets in exchange for Liquidating Trust Interests. Accordingly, except in the event of contrary definitive guidance, Liquidating Trust Beneficiaries shall be treated for U.S. federal income tax purposes as the grantors and owners of their respective share of Liquidating Trust Assets (other than such Liquidating Trust Assets as are allocable to Disputed Claims).

While the following discussion assumes that the Liquidating Trust would be so treated for U.S. federal income tax purposes, no ruling will be requested from the IRS concerning the tax status of the Liquidating Trust as a grantor trust. Accordingly, there can be no assurance that the IRS would not take a contrary position to the classification of the Liquidating Trust as a grantor trust. If the IRS were to challenge successfully such classification, the U.S. federal income tax consequences to the Liquidating Trusts and the Holders of Allowed General Unsecured Claims could vary from those discussed herein.

2. General Tax Reporting by the Liquidating Trust and Liquidating Trust Beneficiaries

For all U.S. federal income tax purposes, all parties must treat the Liquidating Trust as a grantor trust of which the holders of Liquidating Trust Interests are the owners and grantors, and treat the Liquidating Trust Beneficiaries as the direct owners of an undivided interest in the Liquidating Trust Assets (other than any assets allocable to Disputed Claims), consistent with their economic interests therein. The Liquidating Trustee will file tax returns for the Liquidating Trust treating the Liquidating Trust as a grantor trust pursuant to section 1.671-4(a) of the Treasury Regulations. The Liquidating Trustee also shall annually send to each holder of a Liquidating Trust Interest a separate statement regarding the receipts and expenditures of the Liquidating Trusts as relevant for U.S. federal income tax purposes.

Allocations of taxable income of the Liquidating Trust (other than taxable income allocable to any assets allocable to, or retained on account of, Disputed Claims, if such income is otherwise taxable at the Liquidated Trust) among the Liquidating Trust Beneficiaries will be determined by reference to the manner in which an amount of Cash equal to such taxable income would be distributed (were such Cash permitted to be distributed at such time) if, immediately prior to such deemed distribution, the Liquidating Trust had distributed all its assets (valued at their tax book value, and, if applicable, other than assets allocable to Disputed Claims) to the Liquidating Trust Beneficiaries, adjusted for prior taxable income and loss and taking into account all prior and concurrent distributions from the Liquidating Trust. Similarly, taxable loss of the Liquidating Trust will be allocated by reference to the manner in which an economic loss would be borne immediately after a liquidating distribution of the remaining Liquidating Trust Assets. The tax book value of the Liquidating Trust Assets for purposes of allocating taxable income and loss shall equal their fair market value on the date of the transfer of the Liquidating Trust Assets to the Liquidating Trust,

adjusted in accordance with tax accounting principles prescribed by the IRC, applicable Treasury Regulations, and other applicable administrative and judicial authorities and pronouncements.

As soon as reasonably practicable after the transfer of the Liquidating Trust Assets to the Liquidating Trust, the Liquidating Trustee shall make a good faith valuation of the Liquidating Trust Assets. All parties to the Liquidating Trust (including, without limitation, the Debtors, Holders of Allowed General Unsecured Claims, and the Liquidating Trust Beneficiaries) must consistently use such valuation for all U.S. federal income tax purposes. The valuation will be made available, from time to time, as relevant for tax reporting purposes.

Taxable income or loss allocated to a Liquidating Trust Beneficiary will be treated as income or loss with respect to such Liquidating Trust Beneficiary's undivided interest in the Liquidating Trust Assets, and not as income or loss with respect to its prior Allowed General Unsecured Claim. The character of any income and the character and ability to use any loss will depend on the particular situation of the Liquidating Trust Beneficiary.

The U.S. federal income tax obligations of a holder with respect to its Liquidating Trust Interest are not dependent on the Liquidating Trust distributing any Cash or other proceeds. Thus, a holder may incur a U.S. federal income tax liability with respect to its allocable share of the Liquidating Trust's income even if the Liquidating Trust does not make a concurrent distribution to the holder. In general, other than in respect of Cash retained on account of Disputed Claims and distributions resulting from undeliverable distributions (the subsequent distribution of which still relates to a holder's Allowed General Unsecured Claim), a distribution of Cash by the Liquidating Trust will not be separately taxable to a Liquidating Trust Beneficiary since the beneficiary is already regarded for U.S. federal income tax purposes as owning the underlying assets (and was taxed at the time the Cash was earned or received by the Liquidating Trust). Holders are urged to consult their tax advisors regarding the appropriate U.S. federal income tax treatment of any subsequent distributions of Cash originally retained by the Liquidating Trust on account of Disputed Claims.

The Liquidating Trustee will comply with all applicable governmental withholding requirements. Thus, in the case of any Liquidating Trust Beneficiaries that are not U.S. persons, the Liquidating Trustee may be required to withhold up to 30% of the income or proceeds allocable to such persons, depending on the circumstances (including whether the type of income is subject to a lower treaty rate). As indicated above, the foregoing discussion of the U.S. federal income tax consequences does not generally address the consequences to non-U.S. holders; accordingly, such holders should consult their tax advisors with respect to the U.S. federal income tax consequences of the Plan, including owning an interest in the Liquidating Trust.

3. Tax Reporting for Assets Allocable to Disputed Claims

Subject to definitive guidance from the IRS or a court of competent jurisdiction to the contrary (including the receipt by the Liquidating Trustee of an IRS private letter ruling if the Liquidating Trustee so requests one, or the receipt of an adverse determination by the IRS upon audit if not contested by the Liquidating Trustee), the Liquidating Trustee (A) may elect to treat any Liquidating Trust Assets allocable to, or retained on account of, Disputed Claims (*i.e.*, a Disputed Claim Reserve) as a "disputed ownership fund" governed by section 1.468B-9 of the Treasury Regulations, if applicable, and (B) to the extent permitted by applicable law, will report consistently for state and local income tax purposes.

Accordingly, if a "disputed ownership fund" election is made with respect to a Disputed Claim Reserve, such reserve will be subject to tax annually on a separate entity basis on any net income earned with respect to the Liquidating Trust Assets (including any gain recognized upon the disposition of such assets). All distributions from such reserves (which distributions will be net of the expenses, including taxes, relating to the retention or disposition of such assets) will be treated as received by holders in respect of their Claims as if distributed by the Debtors. All parties (including, without limitation, the Debtors, the Liquidating Trustee and the Liquidating Trust Beneficiaries) will be required to report for tax purposes consistently with the foregoing.

A Disputed Claim Reserve will be responsible for payment, out of the assets of the Disputed Claim Reserve, of any taxes imposed on the Disputed Claim Reserve or its assets. In the event, and to the extent, any Cash in the Disputed Claim Reserve is insufficient to pay the portion of any such taxes attributable to the taxable income arising from the assets of such reserve (including any income that may arise upon the distribution of the assets in such reserve), assets of the Disputed Claim Reserve may be sold to pay such taxes.

F. INFORMATION REPORTING AND BACKUP WITHHOLDING

The Debtors will withhold all amounts required by law to be withheld from payments of interest and dividends. The Debtors will comply with all applicable reporting requirements of the IRC. In general, information reporting requirements may apply to distributions or payments made to a Holder of a Claim under the Plan. Additionally, under the backup withholding rules, a Holder of a Claim may be subject to backup withholding with respect to distributions or payments made pursuant to the Plan unless, in the case of a U.S. Holder, such U.S. Holder provides a properly executed IRS Form W-9 or, in the case of Non-U.S. Holder, such Non-U.S. Holder provides a properly executed applicable IRS Form W-8 (or otherwise establishes such Non-U.S. Holder's eligibility for an exemption). The current backup withholding rate is 24%. Backup withholding is not an additional tax but is, instead, an advance payment that may entitle such Holder against whom such withholding is made to a refund from the IRS to the extent the withholding results in an overpayment of tax, provided that the required information is provided to the IRS.

In addition, from an information reporting perspective, U.S. Treasury Regulations generally require disclosure by a taxpayer on its U.S. federal income tax return of certain types of transactions in which the taxpayer participated, including, among other types of transactions, certain transactions that result in the taxpayer's claiming a loss in excess of specified thresholds. Holders are urged to consult their tax advisors regarding these regulations and whether the transactions contemplated by the Plan would be subject to these Treasury Regulations and require disclosure on the Holders' tax returns.

G. CERTAIN CANADIAN FEDERAL INCOME TAX CONSIDERATIONS

The following is a summary of the principal Canadian federal income tax considerations under the *Income Tax Act* (Canada) and the regulations thereunder (collectively, the "Tax Act") of the Plan applicable to a holder of a Claim who, at all relevant times for purposes of the Tax Act, is resident or deemed to be resident in Canada, deals at arm's length with, and is not affiliated with, the Debtors and holds its Claim as capital property (a "Canadian Holder"). A Claim will generally be considered to be capital property for this purpose to a Canadian Holder, unless either the Canadian Holder acquires or holds a Claim in the course of carrying on a business or the Canadian Holder has held or acquired the Claim in a transaction or transactions considered to be an adventure or concern in the nature of trade.

This summary is based on the current provisions of the Tax Act and counsel's understanding of the current published administrative policies and assessing practices of the Canada Revenue Agency. This summary also takes into account all specific proposals to amend the Tax Act that have been publicly announced by or on behalf of the Minister of Finance (Canada) prior to the date hereof (the "Tax Proposals"), and assumes that the Tax Proposals will be enacted in the form proposed, although no assurance can be given that the Tax Proposals will be enacted in the form proposed or at all. Except for the Tax Proposals, this summary does not take into account or anticipate any changes in law or administrative policy or assessing practice, whether by way of legislative, judicial, regulatory or administrative decision or action, nor does it address any other federal or any foreign, provincial or territorial tax considerations.

THE FOLLOWING SUMMARY IS OF A GENERAL NATURE ONLY AND IS NOT INTENDED TO BE, AND SHOULD NOT BE CONSTRUED TO BE, LEGAL OR TAX ADVICE TO A CANADIAN HOLDER, AND NO REPRESENTATION WITH RESPECT TO THE TAX CONSEQUENCES TO ANY PARTICULAR CANADIAN CLAIM IS MADE. ACCORDINGLY, ALL CANADIAN HOLDERS SHOULD CONSULT WITH THEIR OWN TAX ADVISORS FOR ADVICE WITH RESPECT TO THE INCOME TAX CONSEQUENCES TO THEM OF THE PLAN. THE DISCUSSION BELOW IS QUALIFIED ACCORDINGLY.

This summary is not applicable to a Canadian Holder (i) that is a "financial institution" for purposes of the "mark-to-market" rules, (ii) that is a "specified financial institution", (iii) an interest in which is a "tax shelter investment", (iv) that has elected to report its "Canadian tax results" in a currency other than the Canadian currency, (v) that has entered or will enter into a "derivative forward agreement" or a "synthetic disposition arrangement" with respect to its Claim, all within the meaning of the Tax Act, or (vi) the Canadian Holder of an Equity Claim. All such Canadian Holders should consult with their own tax advisors.

For purposes of the Tax Act, all amounts relevant in computing the income, taxable income and taxes payable by a Canadian Holder must be determined in Canadian dollars based on the exchange rate quoted by the Bank of Canada

on the date such amount first arose or such other exchange rate that is acceptable to the Minister of National Revenue.

1. Settlement of Claims

A Canadian Holder of a Claim will be considered to have disposed of its Claim for proceeds of disposition equal to the amount received on settlement of the Claim under the Plan. The fair market value of the New Common Units and Liquidating Trust Distributable Assets received by a Canadian Holder will be considered to be the proceeds of disposition of their Claims (less the amount thereof, if any, received as the interest portion of such Claims). A Canadian Holder of a Claim will realize a capital gain (or capital loss) equal to the amount by which the proceeds of disposition, net of any portion of the amount received by the Canadian Holder which is included in the Canadian Holder's income as interest, exceeds (or is less than) the Canadian Holder's adjusted cost base of such Claim and any reasonable costs of disposition. Any such capital gain (or capital loss) will be subject to the tax treatment described below under "*Certain Canadian Federal Income Tax Considerations — Taxation of Capital Gains and Capital Losses*".

2. Allocation of Plan Consideration

Under the Plan, the amount received by a Canadian Holder on settlement of its Claim will be allocated first to the principal amount of its Claim and the balance, if any, to the accrued and unpaid interest on its Claim.

3. Interest on Affected Claims

A Canadian Holder that is a corporation, partnership, unit trust or any trust of which a corporation or partnership is a beneficiary will be **required** to include in income for a taxation year any interest on the Claims that accrues (or is deemed to accrue) to it in that taxation year or that is received or becomes receivable by it in that year, except to the extent that such interest was included in computing its income for a preceding taxation year.

Any other Canadian Holder, including an individual, will be required to include in computing its income for a taxation year any interest on the Claims that is received or receivable by such Canadian Holder in that taxation year, except to the extent that such amount was otherwise included in its income for the year or a preceding taxation year.

The fair market value of any the New Common Units and Liquidating Trust Distributable Assets received by a Canadian Holder as payment of interest on its Claims will be considered the amount of interest received by such Canadian Holder for these purposes.

Where a Canadian Holder included an amount in income on account of accrued and unpaid interest on its Claims, the Canadian Holder should be entitled to a deduction of an equivalent amount in computing income to the extent that such amount was not received by it on or before the settlement of Claims pursuant to the Plan.

4. Dividends on New Common Units

A Canadian Holder will be required to include in income the amount of any dividend received or deemed to be received on its New Common Units

5. Disposition of New Common Units

A Canadian Holder that disposes or is deemed to dispose of a New Common Unit in a taxation year will realize a capital gain (or a capital loss) equal to the amount by which the proceeds of disposition of the New Common Unit exceed (or are less than) the aggregate of the adjusted cost base to the Canadian Holder of such unit, determined immediately before the disposition, and any reasonable costs of disposition. A Canadian Holder will be required to include any resulting taxable capital gain in income, or be entitled to deduct any resulting allowable capital loss, in accordance with the usual rules applicable to capital gains and capital losses. See "*Taxation of Capital Gains and Capital Losses*".

The adjusted cost base to a Canadian Holder of New Common Units received under the Plan will be the fair market value of such units on the date received by the Canadian Holder.

6. Taxation of Capital Gains and Capital Losses

In general, one-half of any capital gain (a “Taxable Capital Gain”) realized by a Canadian Holder in a taxation year will be included in the Canadian Holder’s income in the year and one-half of the amount of any capital loss (an “Allowable Capital Loss”) realized by a Canadian Holder in a taxation year is required to be deducted from Taxable Capital Gains realized by the Canadian Holder in the year. Allowable Capital Losses in excess of Taxable Capital Gains for a taxation year may be carried back three years or forward indefinitely, subject to the rules in the Tax Act. The amount of any capital loss realized by a Canadian Holder that is a corporation on the disposition of a share may be reduced by the amount of dividends previously received (or deemed to have been received) by it on such share (or on a share for which the share has been substituted) subject to the rules in the Tax Act. Similar rules may apply where a corporation is a member of a partnership or a beneficiary of a trust that owns shares, directly or indirectly, through a partnership or a trust.

7. Additional Refundable Tax

A Canadian Holder that is a “Canadian-controlled private corporation” (as defined in the Tax Act) may be liable to pay an additional refundable tax on certain investment income including amounts in respect of interest, Taxable Capital Gains and dividends.

8. Alternative Minimum Tax

Capital gains realized by an individual (including certain trusts) may give rise to liability for alternative minimum tax under the detailed rules set out in the Tax Act.

THE FEDERAL INCOME TAX CONSEQUENCES OF THE PLAN ARE COMPLEX. THE FOREGOING SUMMARY DOES NOT DISCUSS ALL ASPECTS OF U.S. FEDERAL INCOME TAXATION THAT MAY BE RELEVANT TO A PARTICULAR HOLDER OF A CLAIM IN LIGHT OF SUCH HOLDER’S CIRCUMSTANCES AND INCOME TAX SITUATION. ALL HOLDERS OF CLAIMS AND EQUITY INTERESTS SHOULD CONSULT WITH THEIR TAX ADVISORS AS TO THE PARTICULAR TAX CONSEQUENCES TO THEM OF THE TRANSACTIONS CONTEMPLATED BY THE PLAN, INCLUDING THE APPLICABILITY AND EFFECT OF ANY STATE, LOCAL, NON-U.S., NON-INCOME, OR OTHER TAX LAWS, AND OF ANY CHANGE IN APPLICABLE TAX LAWS.

[Remainder of Page Intentionally Left Blank]

X.
RECOMMENDATION

In the opinion of the Debtors, the Plan is preferable to the alternatives described in this Disclosure Statement because it provides for a larger distribution to the Debtors' creditors than would otherwise result in a liquidation under chapter 7 of the Bankruptcy Code. In addition, any alternative other than Confirmation of the Plan could result in extensive delays and increased administrative expenses resulting in smaller distributions to Holders of Allowed Claims than that which is proposed under the Plan. Accordingly, the Debtors recommend that Holders of Claims entitled to vote on the Plan support Confirmation of the Plan and vote to accept the Plan.

Respectfully submitted,

Stephen Marotta

Payless Holdings LLC
(for itself and on behalf of each of the Debtors)

By: Stephen Marotta

Title: Chief Restructuring Officer

Dated: September 16, 2019

Exhibit A

Plan of Reorganization

**UNITED STATES BANKRUPTCY COURT
EASTERN DISTRICT OF MISSOURI
EASTERN DIVISION**

In re:) Case No. 19-40883-659
) Chapter 11
PAYLESS HOLDINGS LLC, *et al.*,)
) Jointly Administered
)
Debtors.)
)

**SECOND AMENDED JOINT PLAN OF REORGANIZATION OF PAYLESS
HOLDINGS LLC AND ITS DEBTOR AFFILIATES PURSUANT
TO CHAPTER 11 OF THE BANKRUPTCY CODE**

Ira Dizengoff (admitted *pro hac vice*)
Meredith A. Lahaie (admitted *pro hac vice*)
Kevin Zuzolo (admitted *pro hac vice*)
AKIN GUMP STRAUSS HAUER & FELD LLP
One Bryant Park
New York, New York 10036
Telephone: (212) 872-1000
Facsimile: (212) 872-1002

-and-

Julie Thompson (admitted *pro hac vice*)
AKIN GUMP STRAUSS HAUER & FELD LLP
2001 K Street N.W.
Washington, D.C. 20006
Telephone: (202) 887-4000
Facsimile: (202) 887-4288

-and-

David Staber (admitted *pro hac vice*)
AKIN GUMP STRAUSS HAUER & FELD LLP
2300 N. Field Street
Suite 1800
Dallas, Texas 75201
Telephone: (214) 969-2800
Facsimile: (214) 969-4343

Richard W. Engel, Jr. (MO 34641)
Erin M. Edelman (MO 67374)
John G. Willard (MO 67049)
ARMSTRONG TEASDALE LLP
7700 Forsyth Boulevard, Suite 1800
St. Louis, Missouri 63105
Telephone: (314) 621-5070
Facsimile: (314) 621-2239

Co-Counsel to the Debtors and Debtors in Possession

John R. Ashmead (admitted *pro hac vice*)
Robert J. Gayda (admitted *pro hac vice*)
Catherine V. LoTempio (admitted *pro hac vice*)
SEWARD & KISSEL LLP
One Battery Park Plaza
New York, NY 10004
Telephone: (212) 574-1200
Facsimile: (212) 480-8421

*Counsel to the Debtors and Debtors in Possession, acting at the
direction of the Special Committee*

TABLE OF CONTENTS

ARTICLE I. RULES OF INTERPRETATION, COMPUTATION OF TIME, GOVERNING LAW, AND
DEFINED TERMS 1

A. Rules of Interpretation, Computation of Time, and Governing Law 1

B. Defined Terms 2

ARTICLE II. ADMINISTRATIVE CLAIMS, PRIORITY TAX CLAIMS, PROFESSIONAL FEE
CLAIMS, AND UNITED STATES TRUSTEE STATUTORY FEE 21

A. Administrative Claims 21

B. Administrative Claims Bar Date 22

C. Professional Compensation 22

D. Priority Tax Claims 24

E. United States Trustee Statutory Fees 24

ARTICLE III. CLASSIFICATION AND TREATMENT OF CLASSIFIED CLAIMS AND INTERESTS 24

A. Summary 24

B. Classification and Treatment of Claims and Interests 25

C. Special Provision Governing Unimpaired Claims 28

D. Acceptance or Rejection of the Plan 28

E. Confirmation Pursuant to Sections 1129(a)(10) and 1129(b) of the Bankruptcy Code 28

F. Elimination of Vacant Classes 29

G. Allowance of Claims under the Prepetition Term Loan Facility 29

ARTICLE IV. MEANS FOR IMPLEMENTATION OF THE PLAN 29

A. General Settlement of All Claims 29

B. Restructuring Transactions 29

C. The New First Lien Facility and Approval of the New First Lien Facility 30

D. The New Second Lien Facility and Approval of the New Second Lien Facility 31

E. Cash Election Commitment 32

F. The CA Loan 32

G. Corporate Existence 34

H. Vesting of Assets in the Reorganized Debtors 34

I. Cancellation of Prepetition Term Loan Facility, Prepetition ABL Credit Facility
Agreement, DIP Credit Agreement and Equity Interests 34

J. Sources of Cash for Plan Distributions and Transfers of Funds Among Debtors 35

K. Effectuating Documents and Further Transactions 36

L. Issuance of New Equity 36

M. Simultaneous and Future Transactions 38

N. Section 1145 Exemption 40

O. New Organizational Documents 40

P. Exemption from Certain Transfer Taxes and Recording Fees 40

Q. Directors and Officers of Reorganized Payless and Other Reorganized Debtors 41

R. Preservation of Causes of Action 42

S. Directors and Officers Insurance Policies and Agreements 43

T. Compensation and Benefits Programs 43

U. Transaction Expenses 45

V. Additional Governance and Related Terms 45

ARTICLE V. TREATMENT OF EXECUTORY CONTRACTS AND UNEXPIRED LEASES 45

A. Assumption and Rejection of Executory Contracts and Unexpired Leases 45

B. Indemnification Obligations 46

C. Directors and Officers Insurance Policies and Agreements 46

D. Insurance Policies and Surety Bonds 46

E. Cure of Defaults for Assumed Executory Contracts and Unexpired Leases and Claims
Based on Rejection of Executory Contracts and Unexpired Leases 47

F.	Preexisting Obligations to the Debtors Under Executory Contracts and Unexpired Leases	49
G.	Modifications, Amendments, Supplements, Restatements, or Other Agreements	49
H.	Contracts and Leases Entered Into After the Petition Date	49
I.	Reservation of Rights.....	49
J.	Nonoccurrence of Effective Date	50
ARTICLE VI. PROVISIONS GOVERNING DISTRIBUTIONS		50
A.	Distributions for Claims Allowed as of the Effective Date.....	50
B.	Liquidating Trust	50
C.	Distributions on Account of Claims Allowed After the Effective Date	54
D.	Timing and Calculation of Amounts to Be Distributed.....	55
E.	Delivery and Distributions and Undeliverable or Unclaimed Distributions	55
F.	Compliance with Withholding and Reporting Tax Requirements/Allocations	58
G.	Setoffs	59
H.	Foreign Currency Exchange Rate	59
I.	Claims Paid or Payable by Third Parties.....	60
ARTICLE VII. PROCEDURES FOR RESOLVING CONTINGENT, UNLIQUIDATED AND DISPUTED CLAIMS		61
A.	Allowance of Claims.....	61
B.	Claims Administration Responsibilities	61
C.	Estimation of Claims.....	61
D.	Adjustment to Claims Without Objection.....	61
E.	Time to File Objections to Claims	62
F.	Disallowance of Claims	62
G.	No Distribution Pending Allowance	62
H.	Distribution After Allowance.....	62
ARTICLE VIII. CONDITIONS PRECEDENT TO CONFIRMATION AND CONSUMMATION OF THE PLAN		62
A.	Conditions Precedent to the Confirmation of the Plan	62
B.	Conditions Precedent to Effective Date	63
C.	Waiver of Conditions	64
D.	Substantial Consummation	64
E.	Effect of Non Occurrence of Conditions to the Effective Date.....	64
ARTICLE IX. SETTLEMENT, RELEASE, INJUNCTION, AND RELATED PROVISIONS		64
A.	Compromise and Settlement	64
B.	Subordinated Claims	65
C.	Discharge of Claims and Termination of Equity Interests	65
D.	Release of Liens	65
E.	Debtor Release	66
F.	Third-Party Release.....	67
G.	Exculpation	68
H.	Injunction	69
ARTICLE X. RETENTION OF JURISDICTION		69
ARTICLE XI. MODIFICATION, REVOCATION AND WITHDRAWAL OF THE PLAN.....		71
A.	Modification of Plan	71
B.	Effect of Confirmation on Modifications.....	72
ARTICLE XII. MISCELLANEOUS PROVISIONS		72
A.	Immediate Binding Effect	72
B.	Additional Documents	72
C.	Reservation of Rights.....	72
D.	Successors and Assigns.....	73

E.	Service of Documents	73
F.	Term of Injunctions or Stays	73
G.	Entire Agreement	73
H.	Governing Law	73
I.	Exhibits	74
J.	Nonseverability of Plan Provisions Upon Confirmation	74
K.	Closing of Chapter 11 Cases	74
L.	Conflicts	74
M.	Dissolution of Creditors' Committee	75
N.	Section 1125(e) Good Faith Compliance	75
O.	Further Assurances	75
P.	No Stay of Confirmation Order	75
Q.	Waiver or Estoppel	75

INTRODUCTION

Payless Holdings LLC and 26¹ of its debtor affiliates as debtors and debtors in possession (collectively, the “Debtors”) propose the following joint plan of reorganization for the resolution of the outstanding claims against, and regarding the equity interests in, the Debtors. These Chapter 11 Cases have been consolidated for procedural purposes only and are being jointly administered pursuant to an order of the Bankruptcy Court.

Reference is made to the Disclosure Statement, filed contemporaneously with the Plan, for a discussion of the Debtors’ history, businesses, results of operations, historical financial information, projections, and contemplated future operations, as well as a summary and analysis of the Plan and certain related matters, including distributions to be made under the Plan. Each of the Debtors is a proponent of the Plan contained herein within the meaning of section 1129 of the Bankruptcy Code.

ARTICLE I.

RULES OF INTERPRETATION, COMPUTATION OF TIME, GOVERNING LAW, AND DEFINED TERMS

A. Rules of Interpretation, Computation of Time, and Governing Law

For purposes herein: (a) in the appropriate context, each term, whether stated in the singular or the plural, shall include both the singular and the plural, and pronouns stated in the masculine, feminine, or neuter gender shall include the masculine, feminine and the neuter gender; (b) any reference herein to a contract, lease, instrument, release, indenture or other agreement or document being in a particular form or on particular terms and conditions means that the referenced document shall be substantially in that form or substantially on those terms and conditions; (c) any reference herein to an existing document or exhibit having been filed or to be filed shall mean that document or exhibit, as it may thereafter be amended, modified, or supplemented in accordance with the terms of such document or exhibit; (d) unless otherwise specified, all references herein to “Articles” are references to Articles hereof or hereto; (e) unless otherwise stated, the words “herein,” “hereof,” and “hereto” refer to the Plan in its entirety rather than to a particular portion of the Plan; (f) captions and headings to Articles are inserted for convenience of reference only and are not intended to be a part of or to affect the interpretation hereof; (g) the rules of construction set forth in Bankruptcy Code section 102 shall apply; and (h) any term used in capitalized form herein that is not otherwise defined herein but that is used in the Bankruptcy Code or the Bankruptcy Rules shall have the meaning assigned to that term in the Bankruptcy Code or the Bankruptcy Rules, as the case may be.

The provisions of Bankruptcy Rule 9006(a) shall apply in computing any period of time prescribed or allowed herein.

¹ For purposes of this Plan, “Debtors” excludes the Canadian Debtors (as defined below). The Canadian Debtors intend to file a motion for dismissal of the Canadian Debtors’ Chapter 11 Cases to be effective upon implementation of the Plan, and intend to separately bring forward a motion in the Canadian Court for approval of a plan of compromise or arrangement under the CCAA, all as outlined in further detail below. A list of Debtors under this Plan is attached hereto as Schedule 1.

B. Defined Terms

The following terms shall have the following meanings when used in capitalized form herein:

1. “Accrued Professional Compensation” means, at any given time, all accrued, contingent, and/or unpaid fees and expenses (including success fees) for legal, financial advisory, accounting, and other services and reimbursement of expenses that are awardable and allowable under Bankruptcy Code sections 328, 330, 331, or 363 or otherwise rendered allowable before the Effective Date by any Retained Professional in the Chapter 11 Cases. To the extent that the Bankruptcy Court or any higher court of competent jurisdiction denies or reduces by a Final Order any amount of a Retained Professional’s fees or expenses, then those reduced or denied amounts shall no longer constitute Accrued Professional Compensation. For the avoidance of doubt, Accrued Professional Compensation includes unbilled fees and expenses incurred on account of services provided by Retained Professionals that have not yet been submitted for payment, except to the extent that such fees and expenses are either denied or reduced by a Final Order by the Bankruptcy Court or any higher court of competent jurisdiction.

2. “Administrative Claim” means a Claim for costs and expenses of administration of the Debtors’ Estates pursuant to Bankruptcy Code sections 503(b), 507(a)(2), 507(b) or 1114(e)(2), other than a Professional Fee Claim, including: (a) the actual and necessary costs and expenses incurred after the Petition Date and through the Effective Date of preserving the Estates and operating the businesses of the Debtors; and (b) all Allowed requests for compensation or expense reimbursement for making a substantial contribution in the Chapter 11 Cases pursuant to Bankruptcy Code sections 503(b)(3), (4), and (5).

3. “Administrative Claims Bar Date” means the first Business Day that is 30 days following the Effective Date, except as specifically set forth in the Plan or a Final Order; provided, however, pursuant to the Original Debtors Claims Bar Date Order and the July Debtors Claims Bar Date Order, Administrative Claims related to executory contracts or unexpired leases that have been rejected by the Debtors are required to be filed by the later of (a) the Original Debtors Bar Date or the Supplemental General Bar Date (as applicable) and (b) 11:59 p.m., prevailing Central Time, on the date that is thirty (30) days following entry of the relevant order or deemed effective date of the rejection of such rejected contract or unexpired lease.

4. “Affiliate” has the meaning set forth in Bankruptcy Code section 101(2).

5. “Affiliate Transaction” means a transaction or the entry into or thereafter, amendment, modification or termination of any contract, agreement, undertaking, loan, advance, or guarantee between the Reorganized Debtors, or any affiliate thereof, on the one hand, and any of the Axar Entities, the Alden Entities, the Invesco Entities, or the Octagon Entities on the other hand.

6. “Alden” means Alden Global Capital.

7. “Alden Entities” means Alden together with its Affiliates.

8. “Allowed” means, with respect to Claims: (a) any Claim, proof of which is timely filed by the applicable Claims Bar Date or which, pursuant to the Bankruptcy Code or a Final Order is not required to be filed; (b) any Claim that is listed in the Schedules as of the Effective Date as neither contingent, unliquidated, nor disputed, and for which no Proof of Claim has been timely filed; or (c) any Claim Allowed pursuant to the Plan; provided, however, that with respect to any Claim described in clause (a) above, such Claim shall be considered Allowed only if and to the extent that with respect to any Claim no objection to the allowance thereof has been interposed within the applicable period of time fixed by the Plan, the Bankruptcy Code, the Bankruptcy Rules, or the Bankruptcy Court or such an objection is so interposed and the Claim shall have been Allowed for distribution purposes only by a Final Order. Any Claim that has been or is hereafter listed in the Schedules as contingent, unliquidated, or disputed, and for which no Proof of Claim has been timely filed, is not considered Allowed and shall be expunged without further action by the Debtors or the Reorganized Debtors and without any further notice to or action, order or approval of the Bankruptcy Court.

9. “Axar” means Axar Capital Management.

10. “Axar Cash Election Payment” means the Axar Entities’ purchase of New Common Units that would otherwise have been distributed to the Cash Electors, at a price equal to the cash amount to be paid to the Cash Electors under the Plan, until the number of New Common Units to be received by the Axar Entities under the Plan equals the number of New Common Units to be received by the Alden Entities under the Plan.

11. “Axar Entities” means Axar together with its Affiliates.

12. “Ballots” means the ballots accompanying the Disclosure Statement upon which certain Holders of Impaired Claims entitled to vote shall, among other things, indicate their acceptance or rejection of the Plan in accordance with the Plan and the procedures governing the solicitation process, and which must be actually received on or before the Voting Deadline.

13. “Bankruptcy Code” means title 11 of the United States Code, 11 U.S.C. §§ 101–1532, as now in effect or hereafter amended.

14. “Bankruptcy Court” means the United States Bankruptcy Court for the Eastern District of Missouri.

15. “Bankruptcy Rules” means the Federal Rules of Bankruptcy Procedure as promulgated by the United States Supreme Court under section 2075 of title 28 of the United States Code, 28 U.S.C. § 2075, as applicable to the Chapter 11 Cases, and the general, local and chambers rules of the Bankruptcy Court.

16. “Business Day” means any day, other than a Saturday, Sunday or “legal holiday” (as defined in Bankruptcy Rule 9006(a)).

17. “CA Credit Agreement” means the Term Loan and Guarantee Agreement, dated as of October 2, 2018, by and among Payless CA Management Limited, as borrower, the guarantors and lenders from time to time party thereto, and Alden Global Opportunities Master Fund, L.P., as agent.

18. “CA Loan” means the loan under the CA Credit Agreement.
19. “CA Loan JV Entities” means the LatAm JV Entities other than Payless ShoeSource Andean Holdings, Payless ShoeSource Peru Holding, S.L., and each of their direct and indirect subsidiaries.
20. “CA Loan Lenders” means any Lenders under the CA Credit Agreement.
21. “CA Loan Parties” means any Loan Parties under the CA Credit Agreement.
22. “Canadian Court” means the Ontario Superior Court of Justice (Commercial List).
23. “Canadian Debtors” means Payless ShoeSource Canada Inc., Payless ShoeSource Canada GP Inc. and Payless ShoeSource Canada LP, which are Affiliates of the Debtors.
24. “Canadian GUC Amount” means \$900,000.00.²
25. “Canadian Postpetition Loans” means the postpetition loans from Payless ShoeSource Canada LP to the Debtors, which loans are reflected on the books and records of the Debtors and the Canadian Debtors and bear interest at a rate of 6% per annum.
26. “Canadian Proceedings” means the CCAA proceedings commenced by the Canadian Debtors.
27. “Cash” means the legal tender of the United States of America or the equivalent thereof.
28. “Cash Election” means the election, available to Holders of Tranche A-2 Term Loan Secured Claims at the time of voting on the Plan, to receive Cash in the amount of 10% of the principal amount of such Holder’s allowed Tranche A-2 Term Loan Claim in accordance with the terms of the Plan in lieu of receiving New Common Units under the Plan.
29. “Cash Electors” means Holders of Tranche A-2 Term Loan Secured Claims who exercise the Cash Election, pursuant to the terms of the Plan.
30. “Cash Election Commitment Agreement” means the agreement to be executed, pursuant to which (i) Axar shall commit to make the Axar Cash Election Payment, and (ii) with respect to any amount by which the aggregate amount of the Cash Election to be paid to the Cash Electors under the Plan exceeds the Axar Cash Election Payment, (a) Alden shall have an option to fund up to 50% of such amount, and (b) Axar shall fund 50% of such amount plus any amount for which Alden does not exercise the option to fund, which agreement shall be in form and substance acceptable to Axar and Alden and reasonably satisfactory to the Requisite Lender Plan Support Parties and shall be set forth in the Plan Supplement.
31. “Causes of Action” means any action, claim, cause of action, controversy, demand, right, action, lien, indemnity, guaranty, suit, obligation, liability, damage, judgment, account,

² For purposes of the Plan, the dollar amounts are expressed in United States dollars; however, to facilitate the distributions in Canada, the Canadian GUC Amount shall be deemed to be \$1,183,500 CAD under the CCAA Plan.

defense, offset, power, privilege, license, and franchise of any kind or character whatsoever, whether known, unknown, contingent or non-contingent, matured or unmatured, suspected or unsuspected, liquidated or unliquidated, disputed or undisputed, secured or unsecured, assertable directly or derivatively, whether arising before, on, or after the Petition Date, in contract or in tort, in law or in equity, or pursuant to any other theory of law. For the avoidance of doubt, “Causes of Action” includes: (a) any right of setoff, counterclaim, or recoupment and any claim for breach of contract or for breach of duties imposed by law or in equity; (b) the right to object to Claims or Interests; (c) any Claim pursuant to section 362 or chapter 5 of the Bankruptcy Code; (d) any claim or defense including fraud, mistake, duress, and usury, and any other defenses set forth in Bankruptcy Code section 558; and (e) any state or foreign law fraudulent transfer or similar claim.

32. “CCAA” means the *Companies’ Creditors Arrangement Act* (Canada).

33. “CCAA Plan” has the meaning set forth in Article IV.L.2.

34. “Champion” means Champion Athletic Wear and Champion Europe SPA and their Affiliates and any successor thereto.

35. “Chapter 11 Cases” means (a) when used with reference to a particular Debtor, the chapter 11 case pending for that Debtor under chapter 11 of the Bankruptcy Code in the Bankruptcy Court and (b) when used with reference to all Debtors, the procedurally consolidated chapter 11 cases pending for the Debtors in the Bankruptcy Court.

36. “Chief Restructuring Organization” means Ankura Consulting Group, LLC in its capacity as the Canadian Court-appointed Chief Restructuring Organization of the Canadian Debtors.

37. “Claim” means any claim against a Debtor as defined in Bankruptcy Code section 101(5).

38. “Claims Bar Date” means, as applicable, (a) the Original Debtors Bar Date, (b) the July Debtors Bar Date, (c) the Governmental Bar Date, (d) the July Debtors Governmental Bar Date or (e) such other period of limitation as may be specifically fixed by an order of the Bankruptcy Court for filing such Claims, pursuant to the Original Debtors Claims Bar Date Order, the July Debtors Claims Bar Date Order or such other order entered by the Bankruptcy Court.

39. “Claims Objection Bar Date” means, for each Claim, the later of (a) 180 days after the Effective Date and (b) such other period of limitation as may be specifically fixed by an order of the Bankruptcy Court for Objecting to such Claims.

40. “Claims Register” means the official register of Claims maintained by the Clerk of the Court for the United States Bankruptcy Court for the Eastern District of Missouri.

41. “Class” means a category of Holders of Claims or Equity Interests as set forth in Article III of the Plan pursuant to section Bankruptcy Code 1122(a).

42. “Cognizant” means Cognizant Technology Solutions U.S. Corporation and its Affiliates and any successor thereto.

43. “Compensation and Benefits Programs” means all employment and severance policies, and all compensation and benefit plans, policies, and programs and other arrangements (and all amendments and modifications thereto), in each case in place as of the Effective Date, applicable to the Debtors’ employees, former employees, retirees, and non-employee directors and employees, former employees, and retirees of their subsidiaries, including, without limitation, all savings plans, retirement plans, health care plans, disability plans, severance benefit plans, incentive plans, and life, accidental death, and dismemberment insurance plans.

44. “Confirmation” means the entry of the Confirmation Order on the docket of the Chapter 11 Cases, subject to all conditions specified in Article VIII.A of the Plan having been satisfied or waived pursuant to Article VIII.C of the Plan.

45. “Confirmation Date” means the date upon which the Bankruptcy Court enters the Confirmation Order on the docket of the Chapter 11 Cases, within the meaning of Bankruptcy Rules 5003 and 9021.

46. “Confirmation Hearing” means the hearing held by the Bankruptcy Court on Confirmation of the Plan pursuant to section 1129 of the Bankruptcy Code, as such hearing may be continued from time to time.

47. “Confirmation Order” means the order confirming the Plan pursuant to section 1129 of the Bankruptcy Code.

48. “Consummation” means the occurrence of the Effective Date.

49. “Corporate Governance Term Sheet” means the term sheet agreed upon by the Supporting Term Lenders, along with the Axar Entities and the Alden Entities, regarding the corporate governance of the Reorganized Debtors, included as an exhibit to the Plan.

50. “Creditors’ Committee” means the official committee of unsecured creditors of the Debtors appointed by the Office of the United States Trustee for the Eastern District of Missouri in the Chapter 11 Cases on March 1, 2019, pursuant to Bankruptcy Code section 1102, comprising the Creditors’ Committee Members, as may be reconstituted from time to time.

51. “Creditors’ Committee Members” means the members of the Creditors’ Committee, as may be reconstituted from time to time, in each case, solely in their respective capacities as such, namely: (a) Moda Shoe, Ltd.; (b) Xiamen C&D Light Industry Co, Ltd.; (c) Huge Development, Ltd.; (d) C and C Accord, Ltd.; (e) Simon Property Group, Inc.; (f) Brookfield Property REIT, Inc.; and (g) Yaquelin Garcia.

52. “Cure” means the payment of Cash by the applicable Debtors, or the distribution of other property (as the applicable Debtors and the counterparty to the Executory Contract or Unexpired Lease may agree or the Bankruptcy Court may order), as necessary to (a) cure a monetary default by the Debtors in accordance with the terms of an Executory Contract or Unexpired Lease of the Debtors and (b) permit the Debtors to assume such Executory Contract or Unexpired Lease under Bankruptcy Code sections 365 and 1123.

53. “Cure Claim” means a monetary Claim based upon the Debtors’ defaults under any Executory Contract or Unexpired Lease at the time such contract or lease is assumed by the Debtors pursuant to Bankruptcy Code section 365.

54. “Cure Notice” means a notice of a proposed amount of a Cure Claim in connection with an Executory Contract or Unexpired Lease to be assumed under the Plan pursuant to section 365 of the Bankruptcy Code, which notice shall include (a) procedures for objecting to proposed assumptions of Executory Contracts and Unexpired Leases, (b) Cure Claims to be paid in connection therewith, and (c) procedures for resolution by the Bankruptcy Court of any related disputes.

55. “Debtor” means one of the Debtors, in its individual capacity as a debtor in these Chapter 11 Cases.

56. “Debtors” means Payless Holdings LLC and its affiliated debtors and debtors in possession other than the Canadian Debtors.

57. “Debtors in Possession” means, collectively, the Debtors, as debtors in possession in these Chapter 11 Cases.

58. “Definitive Documents” means all documents (including any related orders, agreements, instruments, certificates, articles, schedules, or exhibits) that are contemplated by the Plan and that are otherwise necessary or desirable to implement, effectuate, or otherwise relate to the restructuring contemplated by the Plan, including, without limitation: (a) the Plan; (b) the Disclosure Statement; (c) the motion seeking approval of the Disclosure Statement and the Disclosure Statement Order; (d) the Confirmation Order; (e) the New First Lien Facility Documents; (f) the New Second Lien Facility Documents; (g) the New Organizational Documents; and (h) the Cash Election Commitment Agreement.

59. “DIP Credit Agreement” means the terms and conditions of that certain Senior Secured Superpriority Priming Debtor-in-Possession Term Loan and Guarantee Agreement, dated as of March 24, 2019, by and among Payless Inc., as borrower, Payless Holdings LLC and certain of its subsidiaries party thereto, as guarantors, the DIP Lenders, and the DIP Facility Agent.

60. “DIP Facility” means the senior secured postpetition financing received by the Debtors under the DIP Credit Agreement.

61. “DIP Facility Agent” means Wilmington Savings Fund Society, FSB, as administrative agent and collateral agent for the DIP Lenders.

62. “DIP Lenders” means the banks, financial institutions, and other lenders under the DIP Facility.

63. “Disclosure Statement” means the *Disclosure Statement for the Joint Plan of Reorganization of Payless Holdings LLC and its Debtor Affiliates Pursuant to Chapter 11 of the Bankruptcy Code*, as amended, supplemented, or modified from time to time, including all exhibits and schedules thereto and references therein that relate to the Plan, that is prepared and distributed in accordance with the Bankruptcy Code, Bankruptcy Rules, and any other applicable law.

64. “Disclosure Statement Order” means the order of the Bankruptcy Court approving the Disclosure Statement.

65. “Disputed Claim” means, with respect to any Claim, any Claim that is not yet Allowed.

66. “Distribution Agent” means any Entity or Entities chosen by the Debtors, which Entities may include, without limitation, the Noticing and Claims Agent, to make or to facilitate distributions required by the Plan, with the exception of distributions to Class 5A and Class 5B Claims by the Liquidating Trust under the Liquidating Trust Agreement.

67. “Distribution Record Date” means the date for determining which Holders of Claims are eligible to receive distributions hereunder and shall be the Voting Deadline or such other date as designated in an order of the Bankruptcy Court.

68. “D&O Liability Insurance Policies” means all insurance policies for current and former director and officer liability maintained by the Debtors.

69. “Effective Date” means the day that is the first Business Day after the Confirmation Date on which: (a) no stay of the Confirmation Order is in effect; and (b) all conditions specified in Article VIII.B of the Plan have been satisfied or waived pursuant to Article VIII.C of the Plan.

70. “Entity” has the meaning set forth in Bankruptcy Code section 101(15).

71. “Equity Interest” means the common stock, preferred stock, limited liability company interests, membership interests, and any other equity, ownership, or profits interest of any Debtor and any options, warrants, rights, or other securities or agreements to acquire the common stock, preferred stock, limited liability company interests, membership interests, or other equity, ownership, or profits interests of any Debtor (whether or not arising under or in connection with any employment agreement), including any claim against the Debtors subject to subordination pursuant to Bankruptcy Code section 510(b) arising from or related to any of the foregoing; provided, however, that Equity Interest does not include any Intercompany Interest.

72. “Estate” means, as to each Debtor, the estate created for the Debtor in its Chapter 11 Case pursuant to Bankruptcy Code section 541.

73. “Estate Fee and Expense Contribution” means up to \$2 million in reimbursement for Liquidating Trust Expenses, including the reasonable fees and expenses of the Noticing and Claims Agent incurred in connection with the duties of the Liquidating Trust or the Liquidating Trustee under the Plan or the Trust Agreement, which shall be allocable in accordance with the Liquidating Trust Expense Allocation.

74. “Excluded Preference Claims” means any and all Preference Claims (i) that are Factory Claims; (ii) that have been or may be asserted against Martha Stewart; (iii) that have been or may be asserted against Champion; and (iv) that have been or may be asserted against Cognizant.

75. “Exculpated Parties” means, collectively, the Reorganized Debtors and the Released Parties.

76. “Exculpation” means the exculpation provision set forth in Article IX.G of the Plan.

77. “Executory Contract” means a contract to which one or more of the Debtors is a party that is subject to assumption or rejection under Bankruptcy Code sections 365 or 1123.

78. “Existing Equity Interests” means the common stock, preferred stock, limited liability company interests, membership interests, and any other equity, ownership, or profits interest of Payless Holdings LLC and any options, warrants, rights, or other securities or agreements to acquire the common stock, preferred stock, limited liability company interests, membership interests, or other equity, ownership, or profits interests of Payless Holdings LLC (whether or not arising under or in connection with any employment agreement), including any claim against Payless Holdings LLC subject to subordination pursuant to Bankruptcy Code section 510(b) arising from or related to any of the foregoing; provided, however, that Existing Equity Interest does not include any Intercompany Interest.

79. “Factory Claims” means claims against any Debtor asserted by any supplier, factory or agent that is continuing to do business with the Reorganized Debtors relating to the production and sale of goods to the Debtors or their Affiliates. A list of Factory Claims shall be included with the Plan Supplement.

80. “Federal Judgment Rate” means the federal judgment rate in effect as of the Petition Date, compounded annually.

81. “Final DIP Order” means that certain *Final Order (I) Authorizing the Debtors to Obtain Postpetition Financing, (II) Granting Liens and Providing Superpriority Administrative Expense Status, (III) Modifying the Automatic Stay, and (IV) Granting Related Relief*, entered by the Bankruptcy Court on April 4, 2019 [Docket No. 797].

82. “Final Order” means an order or judgment of the Bankruptcy Court, or other court of competent jurisdiction with respect to the subject matter, as entered on the docket in any Chapter 11 Case or the docket of any court of competent jurisdiction, that has not been reversed, stayed, modified, or amended, and as to which the time to appeal, or seek certiorari or move for a new trial, reargument, or rehearing has expired and no appeal or petition for certiorari or other proceedings for a new trial, reargument, or rehearing been timely taken, or as to which any appeal that has been taken or any petition for certiorari that has been timely filed has been withdrawn or resolved by the highest court to which the order or judgment was appealed or from which certiorari was sought or the new trial, reargument, or rehearing shall have been denied, resulted in no modification of such order or has otherwise been dismissed with prejudice; provided, however, that the possibility that a motion under Rule 60 of the Federal Rules of Civil Procedure, or any analogous rule under the Bankruptcy Rules, may be filed relating to such order shall not cause such order to not be a Final Order.

83. “General Unsecured Claims” means any other Claims against any Debtor that are not otherwise paid in full during the Chapter 11 Cases pursuant to an order of the Bankruptcy Court and are not: (a) an Administrative Claim; (b) a Priority Tax Claim; (c) Other Priority Claim;

(d) an Other Secured Claim; (e) a Tranche A-1 Term Loan Secured Claim; (f) a Tranche A-2 Term Loan Secured Claim; (g) a Tranche A-1 Term Loan Deficiency Claim or Tranche A-2 Term Loan Deficiency Claim (provided, however, the Holders of Tranche A-1 Term Loan Deficiency Claims and Tranche A-2 Term Loan Deficiency Claims shall be entitled to vote on the Plan as Holders of General Unsecured Claims, but shall waive any distribution under the Plan as a Holder of a General Unsecured Claim); (h) an Intercompany Claim; (i) an Existing Equity Interest; (j) any Claims held by the Prepetition ABL Credit Facility Lenders; (k) any Claims held by any Released Parties other than Released Party Trade Claims; and (l) Indemnification Obligations. For the avoidance of doubt, General Unsecured Claims shall include non-priority claims for unpaid severance obligations held by non-Insider employees.³ Notwithstanding anything else herein, any Claim that would otherwise be excluded from the definition of “General Unsecured Claims” pursuant to clause (j) in the preceding sentence shall not apply solely because such Claim was purchased or acquired by a Released Party from a non-Released Party.

84. “General Unsecured Creditors” means Holders of General Unsecured Claims.

85. “Governmental Bar Date” means 11:59 p.m. prevailing Central Time on August 19, 2019, or such other period of limitation as may be specifically fixed by an order of the Bankruptcy Court.

86. “Governmental Unit” shall have the meaning set forth in Bankruptcy Code section 101(27).

87. “Holder” means an Entity holding a Claim against or an Interest in any of the Debtors.

88. “Impaired” means any impaired Claim or Interest in an Impaired Class within the meaning of Bankruptcy Code section 1124.

89. “Impaired Class” means an impaired Class within the meaning of Bankruptcy Code section 1124.

90. “Indemnification Obligation” means a Debtor’s obligation under an Executory Contract assumed in the Chapter 11 Cases or otherwise to indemnify directors, officers, employees, members, or agents of such Debtor who served in such capacity at any time, and any “Protected Persons,” “Indemnitees,” “Indemnified Parties,” and/or “Fund Indemnitors” under such Debtor’s respective certificate of incorporation, bylaws, articles of incorporation, certificate of formation, limited liability company agreement, indemnification agreements, employment contracts, board resolutions, director or observer agreements, similar corporate documents, and applicable law, with respect to or based upon any act or omission taken or omitted in any of such capacities, or for or on behalf of any Debtor, pursuant to and to the maximum extent provided by such Debtor’s respective certificate of incorporation, articles of incorporation, certificate of formation, limited liability company agreement, bylaws, indemnification agreements, employment contracts, board resolutions, director or observer agreements, similar corporate documents and applicable law, in effect as of the Petition Date.

³ Inclusion of claims asserted by Insider employees still subject to discussion.

91. “Independent Director” means an independent director and/or manager with relevant industry expertise and no prior or then current relationship with the Axar Entities, the Alden Entities, the Octagon Entities, or the Invesco Entities, who shall be appointed in accordance with the Definitive Documents.

92. “Initial Directors” means the four directors and/or managers who shall be appointed as of the Effective Date by Axar, Alden, Invesco and Octagon, as described under the Plan, to the board of directors of Reorganized Payless.

93. “Initial Distribution Date” means the date that is as soon as practicable after the Effective Date, but no later than 180 days after the Effective Date, when distributions under the Plan shall commence.

94. “Insurance Policies” means all insurance policies that have been issued at any time to or that provide coverage to any of the Debtors (excluding any D&O Liability Insurance Policies) and all agreements, documents, or instruments related thereto.

95. “Intercompany Claim” means, collectively, any Claim held by a Debtor against another Debtor or an Affiliate of a Debtor or any Claim held by an Affiliate of a Debtor against a Debtor; provided, however, that for purposes of this Plan, the Canadian Postpetition Loans shall not be Intercompany Claims.

96. “Intercompany Interest” means an Equity Interest in a Debtor held by another Debtor.

97. “Interest” means, collectively, Equity Interests and Intercompany Interests.

98. “Interim Compensation Order” means that certain *Order (I) Establishing Procedures for Interim Compensation and Reimbursement of Expenses of Retained Professionals and (II) Granting Related Relief*, entered by the Bankruptcy Court on April 3, 2019 [Docket No. 786], as may be amended from time to time, including by an order entered by the Bankruptcy Court approving the retention of a specific Retained Professional.

99. “Invesco” means Invesco Senior Secured Management, Inc.

100. “Invesco Entities” means Invesco, together with its Affiliates.

101. “July Debtors” means Collective Brands Logistics Limited and Payless Sourcing, LLC.

102. “July Debtors Bar Date” means 11:59 p.m. prevailing Central Time on August 30, 2019.

103. “July Debtors Claims Bar Date Order” means that certain *Order Establishing Bar Dates for Filing Proofs of Claim and Approving Form and Manner of Notice Thereof* for claims with respect to the July Debtors, entered by the Bankruptcy Court on July 19, 2019 [Docket No. 1366], as may be amended from time to time.

104. “July Debtors General Unsecured Claims” means all General Unsecured Claims asserted against the July Debtors.

105. “July Debtors Government Bar Date” means January 3, 2020, at 11:59 p.m., prevailing Central Time, as the bar date by which governmental units must file a Proof of Claim against the July Debtors.

106. “JV” means a joint venture agreement, to which a Debtor entity is a party.

107. “LatAm Business” the business operations of the LatAm JV Entities as coordinated by Payless ShoeSource Worldwide, Inc. through Collective Brands Coöperatief U.A. and the LatAm JV Partners.

108. “LatAm JV Partners” means, collectively, (a) PLP, S.A., (b) South America Local Partners, S.A., (c) Pataya Inc., (d) Bluestone Financials Inc., (e) C&A Ventures, Inc. and (f) Patagonia Capital Limited, and with respect to each of the foregoing entities in clauses (a) through (f), such entities’ predecessors, successors, and assigns, wholly-owned subsidiaries, managed accounts, or funds, current or former officers, directors, principals, shareholders, members, partners, employees, agents, advisory board members, financial advisors, attorneys, accountants, investment bankers, consultants, representatives, management companies, fund advisors, and other professionals, and such entities’ respective heirs, executors, estates, servants, and nominees, in each case, solely in their capacity as such.

109. “LatAm JV Entities” means, collectively, (a) Payless ShoeSource (BVI) Holdings, Ltd., (b) Payless ShoeSource Andean Holdings, (c) Payless Colombia (BVI) Holdings, LTD., (d) Payless ShoeSource Peru Holding, S.L., (e) Payless ShoeSource Honduras S. DE R.L., (f) Payless ShoeSource, Limitada (Costa Rica), (g) PSS International (Costa Rica) Sourcing S.R.L., (h) Payless ShoeSource de la Republica Dominicana, S.R.L., (i) Payless ShoeSource of St. Lucia, Ltd, (j) Payless ShoeSource Overseas S.R.L., (k) Payless ShoeSource of El Salvador Ltda. De C.V., (l) Payless ShoeSource Trinidad Unlimited, (m) Payless ShoeSource Jamaica Limited, (n) Payless ShoeSource (Barbados) SRL, (o) Payless ShoeSource Dominica Ltd., (p) Payless ShoeSource St. Kitts Ltd., (q) Payless ShoeSource Uruguay SRL, (r) Payless ShoeSource Ecuador CIA Ltda, (s) Payless ShoeSource Spain, S.L., (t) Payless ShoeSource PSS de Colombia S.A.S., (u) Payless ShoeSource Peru S.R.L., (v) Payless ShoeSource Limitada y Compania Limitada (Nicaragua), (w) Payless ShoeSource (Barbados) SRL Antigua Branch, (x) Payless ShoeSource (Barbados) SRL Grenada Branch, (y) Payless ShoeSource (Barbados) SRL St. Lucia Branch, (z) Payless ShoeSource (Barbados) SRL St. Vincent Branch, (aa) Payless ShoeSource de Guatemala LTDA., and (bb) Payless ShoeSource (Panama) S.A. and such entities’ predecessors, successors, and assigns, wholly-owned subsidiaries, managed accounts, or funds, current or former officers, directors, principals, shareholders, members, partners, employees, agents, advisory board members, financial advisors, attorneys, accountants, investment bankers, consultants, representatives, management companies, fund advisors, and other professionals, and such entities’ respective heirs, executors, estates, servants, and nominees, in each case, solely in their capacity as such.

110. “Lender Plan Support Parties” means the Supporting Term Lenders, together with the Axar Entities and the Alden Entities.

111. “Liquidating Trust” means the trust established pursuant to Article VI.B.1, to hold the Liquidating Trust Assets and make distributions on account of Class 5A and Class 5B Claims.

112. “Liquidating Trust Agreement” means the trust agreement, to be dated as of or prior to the Effective Date, between the Debtors and the Liquidating Trustee, governing the Liquidating Trust, which agreement shall be in a form reasonably satisfactory to the Creditors’ Committee.

113. “Liquidating Trust Assets” means \$15 million in cash or a letter of credit,⁴ less the Canadian GUC Amount, and Liquidating Trust Expenses as provided herein, which shall be funded and/or transferred to the Liquidating Trust on the Effective Date.⁵

114. “Liquidating Trust Beneficiaries” means the holders of an interest in the Liquidating Trust.

115. “Liquidating Trust Distributable Assets” means the Liquidating Trust Assets available for distribution to General Unsecured Creditors pursuant to the Plan, subject to any guidelines or deductions pursuant to the Liquidating Trust Fee and Expense Procedures.

116. “Liquidating Trust Expenses” means any and all reasonable and documented fees, costs and expenses (including without limitation insurance fees, taxes and escrow expenses) incurred by the Liquidating Trust or the Liquidating Trustee (or any professional or other Entity retained by the Liquidating Trustee) on or after the Effective Date, which amounts shall include the Estate Fee and Expense Contribution and the Liquidating Trust Fee and Expense Cap and shall be allocable in accordance with the Liquidating Trust Expense Allocation and which shall also be subject to the Liquidating Trust Fee and Expense Cap.

117. “Liquidating Trust Expense Allocation” means the allocation of Liquidating Trust Expenses, including and subject to the terms of the Estate Fee and Expense Contribution, and up to the amounts as follows: (a) up to \$500,000 for the Noticing and Claims Agent, which amount shall not include any costs of the Noticing and Claims Agent incurred by the Debtors or the Reorganized Debtors⁶; (b) \$2 million for all legal counsel retained by the Liquidating Trust; (c) \$500,000 for financial advisor retained by the Liquidating Trust; and (d) \$500,000 for the Liquidating Trustee, inclusive of accounting costs and any other costs incident to operation of the Liquidating Trust.

118. “Liquidating Trust Fee and Expense Cap” means, after the Estate Fee and Expense Contribution has been exhausted, an amount not to exceed \$1,500,000 for the Liquidating Trust Expenses, which amounts would be deducted from the Liquidating Trust Assets.⁷ However, for purposes of timing, the Liquidating Trustee may use funds from the Liquidating Trust Assets to pay current bills that are over and above the quarterly amounts funded from the Estate Fee and Expense Contribution, and at the end of the administration of the Liquidating Trust, the

⁴ If a letter of credit is used it will be provided by a non-Debtor or non-Affiliated party and will be in form and substance acceptable to the Debtors, the Requisite Lender Plan Support Parties and the Creditors’ Committee and filed along with the Plan Supplement.

⁵ The Liquidating Trust Assets shall be allocated as outlined in further detail in Article III.

⁶ For the avoidance of doubt, this amount does not include any costs of the Noticing and Claims Agent incurred by the Debtors or the Reorganized Debtors and is solely for the Noticing and Claims Agent’s services as directed by the Liquidating Trustee on behalf of the Liquidating Trust.

⁷ Specifically, \$2 million is allocated to the Liquidating Trust Expenses outside of the Liquidating Trust Assets under the Liquidating Trust Expense Allocation, and the Liquidating Trust professionals may receive up to \$1.5 million from the Liquidating Trust Assets for fees and expenses.

Liquidating Trustee shall reconcile all such payments to ensure that the Liquidating Trust Fee and Expense Cap is complied with.

119. “Liquidating Trust Fee and Expense Procedures” means procedures and guidelines for the Liquidating Trust Assets, as provided for in Section VI.B.3.

120. “Liquidating Trustee” means the natural person appointed by the Creditors’ Committee to act as trustee of the Liquidating Trust in accordance with the terms of the Plan, the Confirmation Order and the Liquidating Trust Agreement, or any successor appointed in accordance with the terms of the Plan and the Liquidating Trust Agreement.

121. “Local Bankruptcy Rules” means the Local Rules of Bankruptcy Procedure for the Eastern District of Missouri.

122. “Management Incentive Plan” means that certain post-Effective Date director, manager, and service provider incentive compensation program to be approved and implemented by the New Board as set forth in Article IV.R hereof.

123. “Martha Stewart” means Martha Stewart Living Omnimedia, Inc., its Affiliates and any successor thereto.

124. “Martha Stewart License Agreement” means that certain License Agreement, effective July 1, 2018, by and among Martha Stewart, as licensor, and Payless Finance Inc. and Aero AG Holdings, LLC as licensees.

125. “Monitor” means FTI Consulting Canada, Inc., in its capacity as court-appointed Monitor of the Canadian Debtors.

126. “New Board” means the board of directors and/or managers of Reorganized Payless, which board of directors and/or managers shall, as of the Effective Date, be comprised of (i) one director and/or manager appointed by Axar, (ii) one director and/or manager appointed by Alden, (iii) one director and/or manager jointly appointed by Invesco and Octagon, and (iv) an Independent Director jointly appointed by Axar, Alden, Octagon, and Invesco.

127. “New Common Units” means new common ownership units to be issued by Reorganized Payless on the Effective Date.

128. “New Incentive Units” means incentive ownership units that may be issued pursuant to the Management Incentive Plan.

129. “New First Lien Debt” means exit financing in the form of the New First Lien Facility.

130. “New First Lien Facility” means the first lien senior secured debt facility in an amount of \$35 million, that may take the form of a loan, high-yield notes, a bridge facility or other arrangement, to be entered into by the Reorganized Debtors and the lender(s) thereunder as contemplated in Article IV.C of this Plan, pursuant to the New First Lien Facility Documents.

131. “New First Lien Facility Documents” means the documentation providing for the New First Lien Facility, which documentation shall be set forth in the Plan Supplement.

132. “New Operating Agreement” means the new operating agreement (amended and restated or otherwise) or similar agreement of Reorganized Payless.

133. “New Organizational Documents” means the forms of the certificates or articles of incorporation, limited liability company agreement, bylaws, or such other applicable formation documents of each of the Reorganized Debtors in form and substance acceptable to the Requisite Lender Plan Support Parties.

134. “New Second Lien Debt” means exit financing in the form of the New Second Lien Facility.

135. “New Second Lien Debt Commitment” means the commitment of the New Second Lien Debt Commitment Party to provide part of the New Second Lien Debt in the form of a \$30 million second lien secured loan facility.

136. “New Second Lien Debt Commitment Agreement” means a commitment agreement, in form and substance acceptable to the New Second Lien Debt Commitment Party, and reasonably satisfactory to the Requisite Lender Plan Support Parties and the Debtors, to be entered into by the New Second Lien Debt Commitment Party with the Debtors to provide part of the New Second Lien Facility.

137. “New Second Lien Debt Commitment Party” means Axar.

138. “New Second Lien Facility” means the second lien senior secured debt facility, that may take the form of a loan, high-yield notes, a bridge facility or other arrangement, to be entered into by the Reorganized Debtors and the lender(s) thereunder as contemplated in Article IV.D. of this Plan, pursuant to the New Second Lien Facility Documents.

139. “New Second Lien Facility Documents” means the documentation providing for the New Second Lien Facility, which documentation shall be in form and substance acceptable to the New Second Lien Debt Commitment Party, and reasonably satisfactory to the Requisite Lender Plan Support Parties and the Debtors, set forth in the Plan Supplement.

140. “Noticing and Claims Agent” means Prime Clerk LLC, in its capacity as notice and claims agent for the Debtors, pursuant to that certain *Order Authorizing Retention and Appointment of Prime Clerk LLC as Notice and Claims Agent Nunc Pro Tunc to the Petition Date*, entered by the Bankruptcy Court on March 15, 2019 [Docket No. 572], as may be amended from time to time and in its capacity as notice and claims agent post-Effective Date for the Reorganized Debtors and/or the Liquidating Trust, as applicable; provided, however, that if Prime Clerk LLC does not agree to the Liquidating Trust Expense Allocation for the Noticing and Claims Agent, the Liquidating Trust may select a new notice and claims agent in connection with the Liquidating Trust-related duties under the Plan and the Liquidating Trust Agreement.

141. “Octagon” means Octagon Credit Investors, LLC.

142. “Octagon Entities” means Octagon, together with its Affiliates.
143. “Original Debtors” means the twenty-seven (27) Debtors that filed voluntary petitions for relief under chapter 11 of the Bankruptcy Code on February 18, 2019.
144. “Original Debtors Claims Bar Date” (a) 11:59 p.m. prevailing Central Time on June 7, 2019.
145. “Original Debtors Claims Bar Date Order” means that certain *Order Establishing Bar Dates for Filing Proofs of Claim and Approving Form and Manner of Notice Thereof* entered by the Bankruptcy Court on May 3, 2019 [Docket No. 969], as may be amended from time to time.
146. “Other Priority Claim” means any Claim accorded priority in right of payment under section 507(a) of the Bankruptcy Code, other than a Priority Tax Claim or Claims entitled to administrative expense priority pursuant to section 503(b)(9) of the Bankruptcy Code.
147. “Other Secured Claim” means any secured Claim against the Debtors not specifically described in the Plan.
148. “Payless” means Payless Holdings LLC, along with its Affiliates.
149. “Periodic Distribution Date” means the date on which distributions are made to Holders of then-Allowed Claims biannually after the Initial Distribution Date; provided, however, that distributions from the Liquidating Trust will be made pursuant to the provisions of the Liquidating Trust Agreement.
150. “Person” has the meaning set forth in Bankruptcy Code section 101(41).
151. “Petition Date” means February 18, 2019, the date on which the Original Debtors commenced the Chapter 11 Cases.
152. “Plan” means the *Second Amended Joint Plan of Reorganization of Payless Holdings LLC and its Debtor Affiliates Pursuant to Chapter 11 of the Bankruptcy Code* dated August 28, 2019, as amended, supplemented, or modified from time to time in accordance with its terms.
153. “Plan Supplement” means the compilation of documents and forms of documents, schedules and exhibits, in each case, in a form reasonably satisfactory to the Requisite Lender Plan Support Parties, as amended, modified or supplemented from time to time in accordance with the terms of the Plan and applicable provisions of the Bankruptcy Code and the Bankruptcy Rules, comprising, without limitation, the following documents (a) the New First Lien Facility Agreement and New Second Lien Facility Agreement, (b) the New Second Lien Debt Commitment Agreement; (c) the Schedule of Assumed Executory Contracts and Unexpired Leases, (d) a list of retained Causes of Action, (e) the New Organizational Documents, (f) the calculation of the Canadian Postpetition Loans; (g) the Liquidating Trust Agreement; (h) the Cash Election Commitment Agreement and all documents and agreements necessary to effectuate such agreement; and (i) a list of Factory Claims.

154. “Preference Claims” means any and all claims or causes of action which any of the Debtors, the debtors in possession, the Estates, or other appropriate party in interest has asserted or may assert under section 547 of the Bankruptcy Code.

155. “Prepetition ABL Credit Facility Agreement” means that certain credit agreement, dated as of August 10, 2017 (as amended, restated, modified, and/or supplemented and as in effect immediately prior to the Petition Date) with Payless Inc., Payless Finance, Inc., Payless ShoeSource, Inc. and Payless ShoeSource Distribution, Inc., as borrowers, the other Debtors party thereto as guarantors, Wells Fargo as collateral agent and administrative agent, Wells Fargo as FILO agent, and the lenders party thereto from time to time.

156. “Prepetition ABL Credit Facility Lenders” means the lenders party from time to time to the Prepetition ABL Credit Facility.

157. “Prepetition Term Loan Facility” means that certain Term Loan and Guarantee Agreement, dated as of August 10, 2017, by and among WBG – PSS Holdings LLC, Payless, Payless Finance, Inc., Payless ShoeSource, Inc. and Payless ShoeSource Distribution, Inc., as borrowers, the subsidiary guarantors party thereto, the lenders from time to time party thereto, and the Prepetition Term Loan Agent.

158. “Prepetition Term Loan Agent” means Cortland Products Corp.

159. “Prepetition Term Loan Lenders” means the banks, financial institutions and other lenders under the Prepetition Term Loan Facility.

160. “Priority Tax Claim” means any Claim of a Governmental Unit of the kind specified in Bankruptcy Code section 507(a)(8).

161. “Pro Rata” means the proportion that an Allowed Claim in a particular Class bears to the aggregate amount of Allowed Claims in that Class, or the proportion that Allowed Claims in a particular Class bear to the aggregate amount of Allowed Claims in a particular Class and other Classes entitled to share in the same recovery as such Allowed Claim under the Plan.

162. “Professional Fee Claim” means a Claim by a Retained Professional seeking an award by the Bankruptcy Court of compensation for services rendered or reimbursement of expenses incurred through and including the Confirmation Date under sections 330, 331, 363, 503(b)(2), 503(b)(3), 503(b)(4), or 503(b)(5) of the Bankruptcy Code; provided, however, that for the avoidance of doubt, the Professional Fee Claims shall not include the Transaction Expenses.

163. “Professional Fee Escrow Account” means an interest-bearing escrow account in an amount equal to the Professional Fee Reserve Amount funded and maintained by the Reorganized Debtors on and after the Effective Date solely for the purpose of paying all Allowed and unpaid fees and expenses of Retained Professionals in the Chapter 11 Cases.

164. “Professional Fee Reserve Amount” means the aggregate Accrued Professional Compensation through the Effective Date as estimated by the Retained Professionals in accordance with Article II.C.3 hereof.

165. “Proof of Claim” means a proof of claim filed against any of the Debtors in the Chapter 11 Cases.

166. “Record Date” means August 30, 2019 for all Claims filed before such date, or, for any Claims filed after such date, the Claims Bar Date.

167. “Reinstated” or “Reinstatement” means, with respect to Claims and Interests, the treatment provided for in Bankruptcy Code section 1124.

168. “Released Parties” means, collectively, (a) the Debtors, (b) the Canadian Debtors, (c) the Reorganized Debtors, (d) the Lender Plan Support Parties; (e) the Creditors’ Committee; (f) the DIP Facility Agent and DIP Facility Lenders, (g) the Prepetition Term Loan Agent and Prepetition Term Loan Lenders, (h) the Prepetition ABL Credit Facility Lenders and Wells Fargo, (i) the Chief Restructuring Organization, (j) the Monitor, and (k) with respect to each of the Entities in clauses (a) through (j), each such Entity’s current and former affiliates, officers, directors, predecessors, successors and assigns, managers, principals, members, employees, agents, partners, attorneys, accountants, investment bankers, consultants and other professionals.

169. “Released Party Trade Claim” means a non-priority unsecured Claim asserted by a Released Party for goods or services provided in the ordinary course of business of the Debtors, other than any General Unsecured Claims (i) of Aero AG Holdings, LLC and (ii) for any prepetition amounts owed under, or rejection damages arising from, that certain Lease Agreement, dated as of June 1, 2018 by and between Bryan Tower II, L.P., as Landlord and Payless, Inc., as tenant.

170. “Releasing Parties” means, collectively, (a) the Debtors, (b) the Lender Plan Support Parties, (c) the DIP Lenders, (d) the DIP Facility Agent, (e) the Prepetition Term Loan Lenders, (f) the Prepetition Term Loan Agent, (g) the Prepetition ABL Credit Facility Lenders and Wells Fargo, (h) all Holders of Claims and Equity Interests that are deemed unimpaired and presumed to accept the Plan, (i) all Holders of Claims who either (1) vote to accept the Plan or (2) receive a Ballot providing them the right to opt out of any applicable releases but abstain from voting on the Plan or otherwise do not elect pursuant to such Ballot to opt out of the Third-Party Release, (j) all Holders of Claims and Equity Interests who are not entitled to vote on the Plan but receive a notice advising them of their ability to opt out of the Third-Party Release but who do not elect to opt out of the Third-Party Release, (k) all other Holders of Claims and Equity Interests to the maximum extent permitted by law, and (l) with respect to the Debtors, the Reorganized Debtors, and each of the Entities in clauses (a) through (k), each such Entity’s current and former Affiliates, and each such Entity’s and their current and former Affiliates’ current and former directors, managers, officers, principals, members, employees, equity Holders (regardless of whether such interests are held directly or indirectly), predecessors, successors, assigns, subsidiaries, agents, advisory board members, financial advisors, partners, attorneys, accountants, investment bankers, consultants, representatives, and other professionals, each such Entity in its capacity as such.

171. “Reorganized Debtors” means the Debtors, in each case, or any successor thereto, by merger, consolidation or otherwise, on or after the Effective Date.

172. “Reorganized Payless” means Payless Holdings LLC, as reorganized pursuant to and under the Plan, or a new corporation or limited liability company that may be formed to directly or indirectly acquire all of the assets and/or stock of the Debtors, or any successor thereto, by merger, consolidation, or otherwise, on or after the Effective Date.

173. “Requisite Lender Plan Support Parties” means Axar, Alden, and either Invesco or Octagon, provided that, any decision or action requiring support of the Requisite Lender Plan Support Parties that materially or adversely affects any of Axar, Alden, Invesco or Octagon in a manner different from other Lender Plan Support Parties will require the consent of the party treated differently. Further, any decision or action on which the Requisite Lender Plan Support Parties have consent or approval rights that materially and adversely affects the Holders of Tranche A-1 Term Loan Secured Claims or in any way modifies the treatment of the Tranche A-1 Term Loan Secured Claims will require the consent of Holders of over 67% of the Tranche A-1 Term Loan Secured Claims.

174. “Retained Professional” means any Entity: (a) employed in these Chapter 11 Cases pursuant to a Final Order in accordance with sections 327 and 1103 of the Bankruptcy Code and to be compensated for services rendered prior to the Effective Date, pursuant to sections 327, 328, 329, 330, 331, or 363 of the Bankruptcy Code; or (b) for which compensation and reimbursement has been allowed by the Bankruptcy Court pursuant to section 503(b)(4) of the Bankruptcy Code.

175. “Schedule of Assumed Executory Contracts and Unexpired Leases” means the schedule of certain Executory Contracts and Unexpired Leases to be assumed by the Debtors pursuant to the Plan, as amended by the Debtors from time to time prior to the Effective Date. The Debtors will be deemed to reject any contracts and unexpired leases not expressly assumed in the Schedule of Assumed Executory Contracts and Unexpired Leases.

176. “Schedules” mean, collectively, the schedules of assets and liabilities, schedules of Executory Contracts and Unexpired Leases, and statements of financial affairs filed by the Original Debtors on April 1, 2019 and by the July Debtors on July 15, 2019, pursuant to Bankruptcy Code section 521 and in substantial accordance with the Official Bankruptcy Forms, as the same may have been amended, modified or supplemented from time to time.

177. “SEC” means the United States Securities and Exchange Commission.

178. “Section 510(b) Claim” means any Claim against the Debtors arising from the rescission of a purchase or sale of a security of the Debtors or an Affiliate of the Debtors, for damages arising from the purchase or sale of such a security or for reimbursement or contribution allowed under Bankruptcy Code section 502 on account of such a Claim.

179. “Secured” means, when referring to a Claim, a Claim: (a) secured by a lien on property in which the applicable Estate has an interest, which lien is valid, perfected, and enforceable pursuant to applicable law or by reason of a Bankruptcy Court order, or that is subject to setoff pursuant to section 553 of the Bankruptcy Code, to the extent of the value of the creditor’s interest in such Estate’s interest in such property or to the extent of the amount subject to setoff, as applicable, as determined pursuant to Bankruptcy Code section 506(a); or (b) otherwise Allowed pursuant to the Plan as a Secured Claim.

180. “Securities Act” means the United States Securities Act of 1933, as amended.
181. “Significant Holders” means Holders of 5% or more of the New Common Units as of the Effective Date, including any initial transferee who thereafter holds 5% or more of the New Common Units.
182. “Stub Rent” means rent incurred by landlords to the Debtors during the period from February 18 to February 28, 2019.
183. “Stub Rent Settlement” means the settlement pursuant to which the Debtors shall pay 85% of Stub Rent within 15 days of the date an applicable lease is rejected, as outlined in Docket No. 798 and in the *Final Order (I) Authorizing the Debtors to Obtain Postpetition Financing, (II) Granting Liens and Providing Superpriority Administrative Expense Status, (III) Modifying the Automatic Stay, and (IV) Granting Related Relief* [Docket No. 797].
184. “Supporting Term Lenders” means the ad hoc group of lenders under the Prepetition Term Loan Facility as identified in the *Verified Statement of Kramer Levin Naftalis & Frankel and Doster, Ullom & Boyle, LLC Pursuant to Federal Rule of Bankruptcy Procedure 2019*, dated March 13, 2019 [Docket No. 533], and their Affiliates.
185. “Third-Party Release” means the releases set forth in Article IX.F.
186. “Tranche A-1 Term Loan Claims” means any and all Claims arising under the Tranche A-1 Term Loan, as such term is defined in the Prepetition Term Loan Facility.
187. “Tranche A-1 Term Loan Deficiency Claims” means any and all Claims arising under the Tranche A-1 Term Loan, as such term is defined in the Prepetition Term Loan Facility, that are not paid in cash under Class 3 of the Plan, including, but not limited to, deficiency or indemnification Claims.
188. “Tranche A-1 Term Loan Secured Claims” means any and all Secured Claims arising under the Tranche A-1 Term Loan, as such term is defined in the Prepetition Term Loan Facility.
189. “Tranche A-2 Term Loan Claims” means any and all Claims arising under the Tranche A-2 Term Loan, as such term is defined in the Prepetition Term Loan Facility.
190. “Tranche A-2 Term Loan Deficiency Claims” means any and all Claims arising under the Tranche A-2 Term Loan, as such term is defined in the Prepetition Term Loan Facility, that is not a Tranche A-2 Term Loan Secured Claim, including, but not limited to, deficiency or indemnification Claims.
191. “Tranche A-2 Term Loan Secured Claims” means any and all Secured Claims arising under the Tranche A-2 Term Loan, as such term is defined in the Prepetition Term Loan Facility.
192. “Transaction Expenses” means any outstanding fees and expenses of the Prepetition Term Loan Agent, the Supporting Term Lenders, and the Axar Entities and the Alden

Entities, including all outstanding fees and expenses of Kramer Levin Naftalis & Frankel LLP, Doster Ullom & Boyle LLC, AlixPartners, Houlihan Lokey, Dechert LLP, Carmody MacDonald P.C., Stroock & Stroock & Lavan LLP, Lewis Rice LLC, Norton Rose Fulbright US LLP and McCarthy Tétrault LLP.

193. “Unexpired Lease” means a lease to which one or more of the Debtors is a party that is subject to assumption or rejection under Bankruptcy Code sections 365 or 1123.

194. “Unimpaired” means any unimpaired Claim or Interest in an Unimpaired Class within the meaning of Bankruptcy Code section 1124.

195. “Unimpaired Class” means an unimpaired Class within the meaning of Bankruptcy Code section 1124.

196. “United States Trustee” means the United States Trustee for the Eastern District of Missouri.

197. “Voting Classes” means, collectively, Classes 3, 4, 5A and 5B.

198. “Voting Deadline” means 4:00 p.m. prevailing Central Time on October 15, 2019.

199. “Wells Fargo” means Wells Fargo Bank, National Association.

ARTICLE II.

ADMINISTRATIVE CLAIMS, PRIORITY TAX CLAIMS, PROFESSIONAL FEE CLAIMS, AND UNITED STATES TRUSTEE STATUTORY FEE

In accordance with Bankruptcy Code section 1123(a)(1), Administrative Claims, Priority Tax Claims and Professional Fee Claims have not been classified and thus are excluded from the Classes of Claims and Equity Interests set forth in Article III.

A. *Administrative Claims*

Except with respect to Administrative Claims that are Professional Fee Claims and except to the extent that an Administrative Claim has already been paid during the Chapter 11 Cases or a Holder of an Allowed Administrative Claim and the applicable Debtor(s) agree to less favorable treatment, each Holder of an Allowed Administrative Claim shall be paid in full in Cash on the unpaid portion of its Allowed Administrative Claim on the latest of: (a) on or as soon as reasonably practicable after the Effective Date if such Administrative Claim is Allowed as of the Effective Date; (b) on or as soon as reasonably practicable after the date such Administrative Claim is Allowed; and (c) the date such Allowed Administrative Claim becomes due and payable, or as soon thereafter as is reasonably practicable; *provided* that Allowed Administrative Claims that arise in the ordinary course of the Debtors’ businesses shall be paid in the ordinary course of business in accordance with the terms and subject to the conditions of any agreements governing, instruments evidencing, or other documents relating to such transactions. Notwithstanding the foregoing, no request for payment of an Administrative Claim need be filed with respect to an Administrative Claim previously Allowed by Final Order. Notwithstanding any provision of the

Plan to the contrary, no Governmental Unit shall be required to file a request for the payment of an expense described in 11 U.S.C. § 503(b)(1)(B) or (C) as a condition of it being allowed as an administrative expense.

For the avoidance of doubt, the Canadian Postpetition Loans shall be allowed Administrative Claims and shall be paid on the Effective Date unless the Canadian Debtors agree otherwise.

B. Administrative Claims Bar Date

All requests for payment of an Administrative Claim (other than Professional Fee Claims and the Canadian Postpetition Loans) that accrued on or before the Effective Date must be filed with the Bankruptcy Court and served on the Debtors no later than the Administrative Claims Bar Date; provided, however, pursuant to the Original Debtors Claims Bar Date Order and the July Debtors Claims Bar Date Order, Administrative Claims related to executory contracts or unexpired leases that have been rejected by the Debtors are required to be filed by the later of (a) the Original Debtors Bar Date or the Supplemental General Bar Date (as applicable) and (b) 11:59 p.m., prevailing Central Time, on the date that is thirty (30) days following entry of the relevant order or deemed effective date of the rejection of such rejected contract or unexpired lease. Holders of Administrative Claims that are, based on the preceding sentence, required to, but do not, file and serve a request for payment of such Administrative Claims by such date shall be forever barred, estopped, and enjoined from asserting such Administrative Claims against the Debtors, the Reorganized Debtors or their property, and such Administrative Claims shall be deemed discharged as of the Effective Date.

The Debtors or Reorganized Debtors, in their sole and absolute discretion, may settle Administrative Claims in the ordinary course of business without further Bankruptcy Court approval; provided, however, that the Reorganized Debtors shall not settle an Administrative Claim by agreeing to a General Unsecured Claim in excess of the scheduled amount of such Claim without the consent of the Liquidating Trustee or an order of the Bankruptcy Court. The Debtors or Reorganized Debtors may also choose to object to any Administrative Claim no later than 90 days from the Administrative Claims Bar Date, subject to extensions by the Bankruptcy Court, agreement in writing of the parties, or on motion of a party in interest approved by the Bankruptcy Court. Subject to the withdrawal or settlement of such Administrative Claim, unless the Debtors or the Reorganized Debtors (or other party with standing) object to a timely-filed and properly served Administrative Claim, such Administrative Claim will be deemed allowed in the amount requested. In the event that the Debtors or the Reorganized Debtors object to an Administrative Claim, the parties may confer to try to reach a settlement and, failing that, the Bankruptcy Court will determine whether such Administrative Claim should be allowed and, if so, in what amount.

C. Professional Compensation

1. Final Fee Applications

All final requests for Professional Fee Claims shall be filed no later than 30 days after the Effective Date. After notice and a hearing in accordance with the procedures established by the

Bankruptcy Code and prior Bankruptcy Court orders, the Allowed amounts of such Professional Fee Claims shall be determined by the Bankruptcy Court.

2. Professional Fee Escrow Account

On the Effective Date, the Reorganized Debtors shall establish and fund, or cause to be funded, the Professional Fee Escrow Account with Cash equal to the aggregate Professional Fee Reserve Amount for all Retained Professionals. The Professional Fee Escrow Account shall be maintained in trust solely for the Retained Professionals. Such funds shall not be considered property of the Estates of the Debtors or the Reorganized Debtors. The amount of Professional Fee Claims owing to the Retained Professionals shall be paid in Cash to such Retained Professionals by the Reorganized Debtors from the Professional Fee Escrow Account as soon as reasonably practicable after such Professional Fee Claims are Allowed by a Final Order. When all such Allowed amounts owing to Retained Professionals have been paid in full, any remaining amount in the Professional Fee Escrow Account shall promptly be paid to the Reorganized Debtors without any further action or order of the Bankruptcy Court.

3. Professional Fee Reserve Amount

To receive payment for unbilled fees and expenses incurred through the Effective Date, the Retained Professionals shall estimate their Accrued Professional Compensation prior to and as of the Effective Date and shall deliver such estimate to the Debtors on or before the Effective Date. If a Retained Professional does not provide such estimate, the Reorganized Debtors may estimate the unbilled fees and expenses of such Retained Professional; *provided* that such estimate shall not be considered an admission or limitation with respect to the fees and expenses of such Retained Professional. The total amount so estimated as of the Effective Date shall comprise the Professional Fee Reserve Amount.

4. Post-Effective Date Fees and Expenses

Except as otherwise specifically provided in the Plan, from and after the Effective Date, each Debtor and Reorganized Debtor (as applicable) shall pay in Cash the reasonable legal and professional fees and expenses incurred by such Debtor or Reorganized Debtor (as applicable) after the Effective Date in the ordinary course of business and without any further notice to or action, order or approval of the Bankruptcy Court. Further, the fees and expenses of the Liquidating Trust shall be paid as set forth in the Liquidating Trust Agreement. The Debtors and Reorganized Debtors (as applicable) shall pay, within ten Business Days after submission of a detailed invoice to the Debtors or Reorganized Debtors (as applicable), such reasonable claims for compensation or reimbursement of expenses incurred by the Retained Professionals of the Debtors and Reorganized Debtors (as applicable). If the Debtors or Reorganized Debtors (as applicable), dispute the reasonableness of any such invoice, the Debtors or Reorganized Debtors (as applicable) or the affected professional may submit such dispute to the Bankruptcy Court for a determination of the reasonableness of any such invoice, and the disputed portion of such invoice shall not be paid until the dispute is resolved. The undisputed portion of such reasonable fees and expenses shall be paid as provided herein. Upon the Effective Date, any requirement that Retained Professionals comply with sections 327 through 331 and 1103 of the Bankruptcy Code in seeking retention or compensation for services rendered after such date shall terminate, and each Debtor

or Reorganized Debtor (as applicable) may employ and pay any Retained Professional in the ordinary course of business without any further notice to or action, order, or approval of the Bankruptcy Court.

5. Substantial Contribution Compensation and Expenses

Except as otherwise specifically provided in the Plan, any Entity that requests compensation or expense reimbursement for making a substantial contribution in the Chapter 11 Cases pursuant to sections 503(b)(3), (4), and (5) of the Bankruptcy Code must file an application and serve such application on counsel for the Debtors or Reorganized Debtors, as applicable, and as otherwise required by the Bankruptcy Court, the Bankruptcy Code, and the Bankruptcy Rules on or before the Administrative Claims Bar Date.

D. *Priority Tax Claims*

Except to the extent that a Holder of an Allowed Priority Tax Claim agrees to a less favorable treatment, in full and final satisfaction, compromise, settlement, release, and discharge of, and in exchange for, each Allowed Priority Tax Claim, each Holder of such Allowed Priority Tax Claim shall be treated in accordance with the terms set forth in Bankruptcy Code section 1129(a)(9)(C), including payment in equal installments over a five year period from the Petition Date at an interest rate as provided by state law.

E. *United States Trustee Statutory Fees*

The Debtors or Reorganized Debtors, as appropriate, shall pay all United States Trustee quarterly fees under 28 U.S.C. § 1930(a)(6), plus interest due and payable under 31 U.S.C. § 3717 on all disbursements made by the Debtors or Reorganized Debtors, including Plan payments and disbursements in and outside the ordinary course of the Debtors' or Reorganized Debtors' businesses, until the entry of a Final Order, dismissal of the Chapter 11 Cases, or conversion of the Chapter 11 Cases to cases under chapter 7 of the Bankruptcy Code. For the avoidance of doubt, quarterly fees shall not be assessed against disbursements made from the Liquidating Trust.

ARTICLE III.

**CLASSIFICATION AND TREATMENT
OF CLASSIFIED CLAIMS AND INTERESTS**

A. *Summary*

This Plan constitutes a separate chapter 11 plan of reorganization for each Debtor. Except for the Claims addressed in Article II above (or as otherwise set forth herein), all Claims against and Interests in a particular Debtor are placed in Classes for each of the Debtors. In accordance with section 1123(a)(1) of the Bankruptcy Code, the Debtors have not classified Administrative Claims, Priority Tax Claims, and Professional Fee Claims as described in Article II.

The categories of Claims and Interests listed below classify Claims and Interests for all purposes, including, without limitation, voting, Confirmation, and distribution pursuant hereto and pursuant to Bankruptcy Code sections 1122 and 1123(a)(1). The Plan deems a Claim or Interest

to be classified in a particular Class only to the extent that the Claim or Interest qualifies within the description of that Class and shall be deemed classified in a different Class to the extent that any remainder of such Claim or Interest qualifies within the description of such different Class. A Claim or an Interest is in a particular Class only to the extent that any such Claim or Interest is Allowed in that Class and has not been paid or otherwise settled prior to the Effective Date.

1. Summary of Classification and Treatment of Classified Claims and Interests

Class	Claim	Status	Voting Rights
1	Other Priority Claims	Unimpaired	Deemed to Accept
2	Other Secured Claims	Unimpaired	Deemed to Accept
3	Tranche A-1 Term Loan Secured Claims	Impaired	Entitled to Vote
4	Tranche A-2 Term Loan Secured Claims	Impaired	Entitled to Vote
5A	General Unsecured Claims of Payless ShoeSource Worldwide, Inc. and Collective Brands Logistics Limited	Impaired	Entitled to Vote
5B	General Unsecured Claims of Remaining Debtors	Impaired	Entitled to Vote
6	Intercompany Claims	Impaired	Deemed to Accept
7	Existing Equity Interests	Impaired	Deemed to Reject
8	Intercompany Interests	Impaired	Deemed to Accept

B. *Classification and Treatment of Claims and Interests*

1. Class 1 – Other Priority Claims

(a) *Classification:* Class 1 consists of Other Priority Claims against the Debtors.

(b) *Treatment:* Each Holder of an Allowed Other Priority Claim shall be paid in full in cash on the Effective Date, or in the ordinary course of business as and when due, or otherwise receive treatment consistent with the provisions of section 1129(a) of the Bankruptcy Code.

(c) *Voting:* Unimpaired; not entitled to vote to accept or reject the Plan.

2. Class 2 – Other Secured Claims

(a) *Classification:* Class 2 consists of Other Secured Claims against the Debtors.

(b) *Treatment:* On or after the Effective Date, in full and final satisfaction, compromise, settlement, release, and discharge of and in exchange for each allowed Other Secured Claim, each Holder of any such Claim (i) shall receive payment in Cash in an amount equal to such Claim, (ii) shall receive the collateral underlying such

Claim, or (iii) shall receive such other treatment so as to render such Claim unimpaired pursuant to section 1124 of the Bankruptcy Code.

(c) *Voting:* Unimpaired; not entitled to vote to accept or reject the Plan.

3. Class 3 – Tranche A-1 Term Loan Secured Claims

(a) *Classification:* Class 3 consists of Tranche A-1 Term Loan Secured Claims against the Debtors.

(b) *Treatment:* On the Effective Date, each Holder of an Allowed Tranche A-1 Term Loan Secured Claim shall receive, in full satisfaction, settlement, release and discharge of, and in exchange for such Tranche A-1 Term Loan Secured Claim, its *pro rata* share of \$68,800,000 in Cash; provided, however, that Holders of Class 3 Claims shall waive any distributions under Class 5A or Class 5B of this Plan on account of their Tranche A-1 Term Loan Deficiency Claims.

(c) *Voting:* Impaired; entitled to vote to accept or reject the Plan.

4. Class 4 – Tranche A-2 Term Loan Secured Claims

(a) *Classification:* Class 4 consists of Tranche A-2 Term Loan Secured Claims against the Debtors.

(b) *Treatment:* On the Effective Date, in full and final satisfaction, compromise, settlement, release, and discharge of and in exchange for each Tranche A-2 Term Loan Secured Claim, each Holder of a Tranche A-2 Term Loan Secured Claim shall receive its *pro rata* share of 100% of the New Common Units, unless such Holder exercises the Cash Election at the time of voting on the Plan; provided, however, that Holders of Class 4 Claims shall waive any distributions under Class 5A or Class 5B of this Plan on account of their Tranche A-2 Term Loan Deficiency Claims.

(c) *Voting:* Impaired; entitled to vote to accept or reject the Plan.

5. Class 5A – General Unsecured Claims of Payless ShoeSource Worldwide, Inc. and Collective Brands Logistics Limited

(a) *Classification:* Class 5A consists of General Unsecured Claims against Payless ShoeSource Worldwide, Inc. and Collective Brands Logistics Limited.

(b) *Treatment:* Subject to the discretion of the Liquidating Trustee, but in no event later than 60 days after all General Unsecured Claims are resolved pursuant to a Final Order (and subject to the allowance, objection, and distribution procedures set forth in the Plan), except to the extent that a Holder agrees to less favorable treatment, in full and final satisfaction, compromise, settlement, release, and discharge of and in exchange for each allowed General Unsecured Claim of Payless ShoeSource Worldwide, Inc. and Collective Brands Logistics Limited, each Holder of any such Claim shall receive its *pro rata* share of \$8.4 million plus its *pro rata* share of any unused portion of the Liquidating

Trust Fee and Expense Cap of the Liquidating Trust Distributable Assets. No Holder of any such Claim shall be able to receive a recovery on their Claim from both Class 5A and Class 5B.

(c) *Voting:* Impaired; entitled to vote to accept or reject the Plan.

6. Class 5B – General Unsecured Claims of Debtors Other Than Payless ShoeSource Worldwide, Inc. and Collective Brands Logistics Limited

(a) *Classification:* Class 5B consists of General Unsecured Claims of the Debtors other than Payless ShoeSource Worldwide, Inc. and Collective Brands Logistics Limited.

(b) *Treatment:* Subject to the discretion of the Liquidating Trustee, but in no event later than 60 days after all General Unsecured Claims are resolved pursuant to a Final Order (and subject to the allowance, objection, and distribution procedures set forth in the Plan), except to the extent that a Holder agrees to less favorable treatment, in full and final satisfaction, compromise, settlement, release, and discharge of and in exchange for each allowed General Unsecured Claim, each Holder of such Claim shall receive its *pro rata* share of \$5.1 million, less the Canadian GUC Amount, plus its *pro rata* share of any unused portion of the Liquidating Trust Fee and Expense Cap of the Liquidating Trust Distributable Assets. No Holder of any such Claim shall be able to receive a recovery on the identical Claim from both Class 5A and Class 5B.

(c) *Voting:* Impaired; entitled to vote to accept or reject the Plan.

7. Class 6 – Intercompany Claims

(a) *Classification:* Class 6 consists of all Intercompany Claims.

(b) *Treatment:* Each Intercompany Claim shall either be (a) reinstated as of the Effective Date or (b) cancelled, in which case no distribution shall be made on account of such Intercompany Claim, in each case as determined by the Debtors and the Requisite Lender Plan Support Parties; *provided* that any Intercompany Claim held by a LatAm JV Entity shall not be cancelled or compromised without the consent of the Holder of such Intercompany Claim.

(c) *Voting:* Deemed to accept the Plan; not entitled to vote to accept or reject the Plan.

8. Class 7 – Existing Equity Interests in Payless

(a) *Classification:* Class 7 consists of Existing Equity Interests.

(b) *Treatment:* All Existing Equity Interests in Payless Holdings LLC, whether represented by stock, preferred share purchase rights, warrants, options, membership units or otherwise, will be cancelled, released, and extinguished and the

Holders of such Existing Equity Interests will receive no distribution under the Plan on account thereof.

(c) *Voting:* Impaired; deemed to reject the Plan.

9. Class 8 – Intercompany Interests

(a) *Classification:* Class 8 consists of all Intercompany Interests.

(b) *Treatment:* Each Intercompany Interest shall either be (a) reinstated as of the Effective Date or (b) cancelled, in which case no distribution shall be made on account of such Intercompany Interest, in each case as determined by the Debtors and the Requisite Lender Plan Support Parties.

(c) *Voting:* Deemed to accept the Plan; not entitled to vote to accept or reject the Plan.

C. *Special Provision Governing Unimpaired Claims*

Subject to Article IV.Q, nothing under the Plan shall affect the Debtors' or the Reorganized Debtors' rights in respect of any Unimpaired Claims, including, without limitation, all rights in respect of legal and equitable defenses to or setoffs or recoupments against any such Unimpaired Claims.

D. *Acceptance or Rejection of the Plan*

1. Presumed Acceptance of Plan

Classes 1 and 2 are Unimpaired under the Plan, and are, therefore, presumed to have accepted the Plan pursuant to section 1126(f) of the Bankruptcy Code. Classes 6 and 8 are presumed to have accepted the Plan.

2. Voting Classes

Each Holder of an Allowed Claim in each of Classes 3, 4, 5A and 5B shall be entitled to vote to accept or reject the Plan.

3. Presumed Rejection of Plan

Class 7 is presumed to have rejected the Plan pursuant to section 1126(g) of the Bankruptcy Code.

E. *Confirmation Pursuant to Sections 1129(a)(10) and 1129(b) of the Bankruptcy Code*

The Plan will satisfy section 1129(a)(10) of the Bankruptcy Code and, as necessary, the Debtors will seek confirmation of the Plan under section 1129(b) of the Bankruptcy Code with respect to any rejecting class of Claims or Equity Interests.

F. Elimination of Vacant Classes

Any Class of Claims that is not occupied as of the date of commencement of the Confirmation Hearing by the Holder of an Allowed Claim or a Claim temporarily Allowed under Bankruptcy Rule 3018 (*i.e.*, no Ballots are cast in a Class entitled to vote on the Plan) shall be deemed eliminated from the Plan for purposes of voting to accept or reject the Plan and for purposes of determining acceptances or rejection of the Plan by such Class pursuant to Bankruptcy Code section 1129(a)(8).

G. Allowance of Claims under the Prepetition Term Loan Facility

The Tranche A-1 Term Loan Claims shall be deemed Allowed Claims in the amount of \$80,891,280.62 as of the Petition Date. The Tranche A-2 Term Loan Claims shall be deemed Allowed Claims in the amount of \$202,602,201.56 as of the Petition Date.

ARTICLE IV.

MEANS FOR IMPLEMENTATION OF THE PLAN

A. General Settlement of All Claims

As discussed further in the Disclosure Statement and as otherwise provided herein, pursuant to Bankruptcy Code section 1123 and Bankruptcy Rule 9019, and in consideration for the classification, distributions, releases, and other benefits provided under the Plan, upon the Effective Date, the provisions of the Plan shall constitute a good-faith compromise and settlement of all Claims, Equity Interests, Causes of Action, and controversies released, settled, compromised, discharged, or otherwise resolved pursuant to the Plan. The Plan shall be deemed a motion to approve the good-faith compromise and settlement of all such Claims, Interests, Causes of Action, and controversies pursuant to Bankruptcy Rule 9019, and the entry of the Confirmation Order shall constitute the Bankruptcy Court's approval of such compromise and settlement under section 1123 of the Bankruptcy Code and Bankruptcy Rule 9019, as well as a finding by the Bankruptcy Court that such settlement and compromise is fair, equitable, reasonable, and in the best interests of the Debtors and their Estates. Distributions made to Holders of Allowed Claims in any Class are intended to be final.

B. Restructuring Transactions

On the Effective Date or as soon as reasonably practicable thereafter, the Reorganized Debtors may take all actions as may be necessary or appropriate to effect any transaction described in, approved by, contemplated by, or necessary to effectuate the Plan, including: (1) the execution and delivery of appropriate agreements, certificates or other documents or instruments of merger, consolidation, conversion, or reorganization containing terms that are consistent with the terms of the Plan and that satisfy the requirements of applicable law; (2) the execution and delivery of appropriate instruments of transfer, assignment, assumption, or delegation of any property, right, liability, duty, or obligation on terms consistent with the terms of the Plan; (3) the filing of appropriate certificates or articles of incorporation, merger, conversion, or consolidation with the appropriate governmental authorities pursuant to applicable law; and (4) all other actions that the Reorganized Debtors determine are necessary or appropriate.

By this Plan, the Debtors are authorized but not directed to, in an orderly manner, abandon, dissolve, liquidate or cause to be liquidated any Debtor entities, subsidiaries or Affiliates as the Debtors decide would be in the best interests of the Estates; provided, however, that with respect to the Canadian Debtors, such action shall be subject to an order of the Canadian Court during the pendency of the Canadian Proceedings; provided further, however, that this Article IV.B shall not be deemed to authorize any such actions with respect to the LatAm JV Entities or to impact any rights of the LatAm JV Partners.

C. *The New First Lien Facility and Approval of the New First Lien Facility*

On the Effective Date, the Reorganized Debtors will enter into definitive documentation, with respect to the New First Lien Facility in an aggregate amount up to \$35 million as a first lien facility. No New First Lien Debt shall be guaranteed by, or secured by any of the assets of any of, the CA Loan Parties or the LatAm JV Entities.

Confirmation of the Plan shall be deemed to constitute approval of the New First Lien Facility and the New First Lien Facility Documents (including all transactions contemplated thereby and all actions to be taken, undertakings to be made, and obligations to be incurred by the Reorganized Debtors in connection therewith, including the payment of all fees, indemnities, and expenses provided for therein) and, subject to the occurrence of the Effective Date, authorization for the Reorganized Debtors to enter into and perform their obligations under the New First Lien Facility Documents and such other documents as may be reasonably required or appropriate, in each case, in accordance with the New First Lien Facility Documents.

On the Effective Date, the New First Lien Facility Documents shall constitute legal, valid, binding, and authorized obligations of the Reorganized Debtors, enforceable in accordance with their terms. The financial accommodations to be extended pursuant to the New First Lien Facility Documents are being extended, and shall be deemed to have been extended, in good faith, for legitimate business purposes, are reasonable, shall not be subject to avoidance, recharacterization, or subordination (including equitable subordination) for any purposes whatsoever, and shall not constitute preferential transfers, fraudulent conveyances, or other voidable transfers under the Bankruptcy Code or any other applicable non-bankruptcy law. On the Effective Date, all of the liens and security interests to be granted in accordance with the New First Lien Facility Documents (a) shall be legal, binding, and enforceable liens on, and security interests in, the collateral granted thereunder in accordance with the terms of the New First Lien Facility Documents, (b) shall be deemed automatically attached and perfected on the Effective Date, subject only to such liens and security interests as may be permitted under the New First Lien Facility Documents, and (c) shall not be subject to avoidance, recharacterization, or subordination (including equitable subordination) for any purposes whatsoever and shall not constitute preferential transfers, fraudulent conveyances, or other voidable transfers under the Bankruptcy Code or any applicable non bankruptcy law. The Reorganized Debtors and the Entities granted such liens and security interests are authorized to make all filings and recordings, and to obtain all governmental approvals and consents necessary to establish, attach, and perfect such liens and security interests under the provisions of the applicable state, provincial, federal, or other law (whether domestic or foreign) that would be applicable in the absence of the Plan and the Confirmation Order (it being understood that perfection shall occur automatically by virtue of the entry of the Confirmation Order, and any such filings, recordings, approvals, and consents shall not be required), and will thereafter

cooperate to make all other filings and recordings that otherwise would be necessary under applicable law to give notice of such liens and security interests to third parties. To the extent that any Holder of a Secured Claim that has been satisfied or discharged in full pursuant to the Plan, or any agent for such Holder, has filed or recorded publicly any liens and/or security interests to secure such Holder's Secured Claim, then as soon as practicable on or after the Effective Date, such Holder (or the agent for such Holder) shall take any and all steps requested by the Debtors, the Reorganized Debtors, or any administrative agent under the New First Lien Facility Documents that are necessary to cancel and/or extinguish such liens and/or security interests.

D. The New Second Lien Facility and Approval of the New Second Lien Facility

In accordance with and subject to the terms of the New Second Lien Debt Commitment Agreement, on the Effective Date, the Reorganized Debtors and the New Second Lien Debt Commitment Party will enter into definitive documentation with respect to the New Second Lien Facility in an amount of \$30 million. The liens securing the New Second Lien Facility shall be subject to the liens securing the New First Lien Facility. No New Second Lien Debt shall be guaranteed by, or secured by any of any of the assets of, the CA Loan Parties or the LatAm JV Entities.

Confirmation of the Plan shall be deemed to constitute approval of the New Second Lien Facility and the New Second Lien Facility Documents (including all transactions contemplated thereby and all actions to be taken, undertakings to be made, and obligations to be incurred by the Reorganized Debtors in connection therewith, including the payment of all fees, indemnities, and expenses provided for therein) and, subject to the occurrence of the Effective Date, authorization for the Reorganized Debtors to enter into and perform their obligations under the New Second Lien Facility Documents and such other documents as may be reasonably required or appropriate, in each case, in accordance with the New Second Lien Facility Documents.

On the Effective Date, the New Second Lien Facility Documents shall constitute legal, valid, binding, and authorized obligations of the Reorganized Debtors, enforceable in accordance with their terms. The financial accommodations to be extended pursuant to the New Second Lien Facility Documents are being extended, and shall be deemed to have been extended, in good faith, for legitimate business purposes, are reasonable, shall not be subject to avoidance, recharacterization, or subordination (including equitable subordination) for any purposes whatsoever, and shall not constitute preferential transfers, fraudulent conveyances, or other voidable transfers under the Bankruptcy Code or any other applicable non-bankruptcy law. On the Effective Date, all of the liens and security interests to be granted in accordance with the New Second Lien Facility Documents (a) shall be legal, binding, and enforceable liens on, and security interests in, the collateral granted thereunder in accordance with the terms of the New Second Lien Facility Documents, (b) shall be deemed automatically attached and perfected on the Effective Date, subject only to such liens and security interests as may be permitted under the New Second Lien Facility Documents, and (c) shall not be subject to avoidance, recharacterization, or subordination (including equitable subordination) for any purposes whatsoever and shall not constitute preferential transfers, fraudulent conveyances, or other voidable transfers under the Bankruptcy Code or any applicable non-bankruptcy law. The Reorganized Debtors and the Entities granted such liens and security interests are authorized to make all filings and recordings, and to obtain all governmental approvals and consents necessary to establish, attach, and perfect

such liens and security interests under the provisions of the applicable state, provincial, federal, or other law (whether domestic or foreign) that would be applicable in the absence of the Plan and the Confirmation Order (it being understood that perfection shall occur automatically by virtue of the entry of the Confirmation Order, and any such filings, recordings, approvals, and consents shall not be required), and will thereafter cooperate to make all other filings and recordings that otherwise would be necessary under applicable law to give notice of such liens and security interests to third parties. To the extent that any Holder of a Secured Claim that has been satisfied or discharged in full pursuant to the Plan, or any agent for such Holder, has filed or recorded publicly any liens and/or security interests to secure such Holder's Secured Claim, then as soon as practicable on or after the Effective Date, such Holder (or the agent for such Holder) shall take any and all steps requested by the Debtors, the Reorganized Debtors, or any administrative agent under the New Second Lien Facility Documents that are necessary to cancel and/or extinguish such liens and/or security interests.

E. Cash Election Commitment

In accordance with and subject to the terms of the Cash Election Commitment Agreement, (i) Axar shall make the Axar Cash Election Payment, and (ii) with respect to any amount by which the aggregate amount of the Cash Election to be paid to the Cash Electors under the Plan exceeds the Axar Cash Election Payment, (a) the Alden Entities shall have an option to fund up to 50% of such amount, and (b) the Axar Entities shall fund 50% of such amount plus any amount for which the Alden Entities do not exercise the option to fund.

On the Effective Date, the Axar Entities and the Alden Entities shall receive, as applicable, the New Common Units that each Tranche A-2 Term Loan Lender that makes the Cash Election would have received had such Tranche A-2 Term Loan Lender not made the Cash Election.

F. The CA Loan

The CA Credit Agreement and any other applicable documentation related to the CA Loan shall be amended to ensure that:

- Interest in all Interest Periods (as defined in the CA Credit Agreement) for the first year following the Effective Date shall, at the option of the CA Loan Parties, be (a) paid in Cash at the rate set forth in the CA Credit Agreement, or (b) paid in kind at a rate per annum equal to 12%. Interest in all Interest Periods following the first anniversary of the Effective Date shall be paid in Cash as currently provided in the CA Credit Agreement;
- Amortization of the CA Loan shall occur following the Effective Date, payable on the first anniversary of the Effective Date and every six (6) months thereafter (or, if such date is not a business day, the business day immediately preceding such date), in an aggregate annual amount equal to 5% of the original principal amount in the year beginning with the first anniversary after the Effective Date and 10% of the original principal amount for each year thereafter. The remaining aggregate principal amount of the CA Loan will be payable in full at maturity;

- Covenants, events of default, and representations under the CA Credit Agreement shall be modified to include:
 - A negative pledge on all assets of the CA Loan Parties that are not pledged as collateral for the CA Loan;
 - Proceeds of the following transactions shall be used to mandatorily prepay the principal amount under the CA Loan until paid in full: (i) any sale of assets of any of the CA Loan Parties including any interests in the CA Loan JV Entities, (ii) any equity issuance by PSS Latin America Holdings or any of its direct or indirect subsidiaries (including any CA Loan JV Entities), or (iii) prohibited debt issuances at the CA Loan Parties;
 - The principal amount of the CA Loan will become immediately due and payable upon the sale of all or substantially all of the assets of the CA Loan Parties;
 - The CA Loan Parties shall be prohibited from paying any dividends and making other restricted payments;
 - The change of control event of default will be triggered if (i) the borrower under the CA Loan ceases to directly own 100% of any interests in the LatAm JV Entities owned by the borrower as of the Effective Date, (ii) PSS Latin America Holdings ceases to directly own 100% of Payless CA, (iii) Reorganized Payless, or substantially all of its assets, are sold, or (iv) any Person other than the Alden Entities acquires more than 50% of the New Common Units as a result of the purchase of New Common Units, other than where more than 50% of the New Common Units is acquired by such Person from the Alden Entities in a transaction in which the purchase of New Common Units is not open to all other Holders of New Common Units on a pro rata basis;
 - The CA Loan Parties shall be prohibited from transferring assets as investments to subsidiaries, or entering into sale-leaseback transactions;
 - The ability of any CA Loan Parties to transfer any material portion of the LatAm Business shall be prohibited, unless such transfer results in proceeds sufficient to repay the CA Loan pursuant to its terms;
 - The existing \$25 million debt and lien baskets shall be eliminated;
 - Non-arm's-length transactions with non-guarantor subsidiaries shall be prohibited; and
 - The insolvency or bankruptcy of any of the Reorganized Debtors, the CA Loan Parties, or any of their subsidiaries shall be an event of default.

G. Corporate Existence

Subject to any restructuring transactions as permitted under Article IV.B, each Debtor shall continue to exist on and after the Effective Date as a separate corporation, limited liability company, partnership, or other form of entity, as the case may be, with all the powers of a corporation, limited liability company, partnership, or other form of entity, as the case may be, pursuant to the applicable law in the jurisdiction in which each applicable Debtor is incorporated or formed and pursuant to the respective certificate of incorporation and bylaws (or other similar formation and governance documents) in effect prior to the Effective Date, except to the extent such certificate of incorporation or bylaws (or other similar formation and governance documents) are amended by or in connection with the Plan or otherwise, and, to the extent such documents are amended, such documents are deemed to be amended pursuant to the Plan and require no further action or approval (other than any requisite filings required under applicable foreign, state, provincial, or federal law).

As provided in Article IV.B, the Debtors are authorized by this Plan to, in an orderly manner, abandon, dissolve, liquidate or cause to be liquidated any Debtor entities, subsidiaries or Affiliates as the Debtors decide would be in the best interests of the Estates; provided, however, that with respect to the Canadian Debtors, such action shall be subject to an order of the Canadian Court during the pendency of the Canadian Proceedings; provided, further, that for the avoidance of doubt, the foregoing shall not be deemed to authorize any such actions with respect to the LatAm JV Entities or to impact any rights of the LatAm JV Partners.

H. Vesting of Assets in the Reorganized Debtors

Subject to Article IV.Q, and except as otherwise provided in the Plan or in any agreement, instrument, or other document incorporated in the Plan, on the Effective Date, all property in each Estate, all Causes of Action, and any property acquired by any of the Debtors pursuant to the Plan shall vest in each respective Reorganized Debtor, free and clear of all liens, Claims, charges, or other encumbrances. On and after the Effective Date, except as otherwise provided in the Plan, each Reorganized Debtor may operate its business and may use, acquire, or dispose of property and compromise or settle any Claims, Interests, or Causes of Action without supervision or approval by the Bankruptcy Court and free of any restrictions of the Bankruptcy Code or Bankruptcy Rules.

I. Cancellation of Prepetition Term Loan Facility, Prepetition ABL Credit Facility Agreement, DIP Credit Agreement and Equity Interests

On the Effective Date, except as otherwise specifically provided for in the Plan: (1) the obligations of the Debtors under the Prepetition Term Loan Facility, the Prepetition ABL Credit Facility, the DIP Credit Facility and any other certificate, equity security, share, note, bond, indenture, purchase right, option, warrant, or other instrument or document directly or indirectly evidencing or creating any indebtedness or obligation of or ownership interest in the Debtors giving rise to any Claim or Equity Interest (except such certificates, notes, or other instruments or documents evidencing indebtedness or obligation of or ownership interest in the Debtors that are Reinstated pursuant to the Plan), shall be cancelled solely as to the Debtors and their Affiliates, and all documentation in respect of those enumerated facilities is terminated, except as expressly

provided below, and the Reorganized Debtors and their Affiliates shall not have any continuing obligations thereunder; and (2) the obligations of the Debtors and their Affiliates pursuant, relating, or pertaining to any agreements, indentures, certificates of designation, bylaws, or certificate or articles of incorporation or similar documents governing the shares, certificates, notes, bonds, indentures, purchase rights, options, warrants, or other instruments or documents evidencing or creating any indebtedness or obligation of or ownership interest in the Debtors (except such agreements, certificates, notes, or other instruments evidencing indebtedness or obligation of or ownership interest in the Debtors that are specifically Reinstated pursuant to the Plan) shall be released and discharged. Notwithstanding the foregoing:

- The Prepetition Term Loan Facility shall continue in effect solely for the purpose of: (i) allowing Holders of the Prepetition Term Loan Claims to receive the distributions provided for under the Plan and distributions from the Canadian Debtors; (ii) allowing the Prepetition Term Loan Agent to receive distributions from the Debtors and the Canadian Debtors and to make further distributions to the Holders of such Claims on account of such Claims, as set forth in Article VI.A of the Plan; (iii) allowing the Prepetition Term Loan Agent to seek to enforce its security against the Canadian Debtors; and (iv) preserving the Prepetition Term Loan Agents' right to indemnification pursuant and subject to the terms of the Prepetition Term Loan Facility in respect of any Claim or Cause of Action asserted against the Prepetition Term Loan Agents;
- The Prepetition ABL Credit Facility and the DIP Facility shall continue solely for the purpose of preserving the rights of Wells Fargo, the DIP Facility Agent and the DIP Lenders to indemnification pursuant to and subject to the respective agreements.
- The Prepetition Term Loan Facility Agent, the DIP Facility Agent, and Wells Fargo, as collateral agent and administrative agent, for the Prepetition ABL Credit Facility, are authorized to execute any and all documentation necessary or desirable to evidence the termination of the Prepetition Term Loan Facility, the DIP Facility and the Prepetition ABL Credit Facility.
- The Debtors are authorized to file any necessary security interest and/or lien releases or terminations to evidence the termination of the Prepetition Term Loan Facility, the DIP Facility and the Prepetition ABL Credit Facility.
- The foregoing shall not affect the cancellation of units issued pursuant to the Plan nor any other units held by one Debtor in the capital of another Debtor.
- The foregoing shall not affect or be deemed to impact the rights and interests of the LatAm JV Partners related to the LatAm JV Entities or LatAm Business.

J. Sources of Cash for Plan Distributions and Transfers of Funds Among Debtors

The Cash necessary for the Reorganized Debtors to make Cash payments required pursuant to the Plan will be funded from three sources: (1) proceeds from the New First Lien Facility and New Second Lien Facility; (2) Cash on hand as of the Effective Date; and (3) Cash from the Axar

Cash Election Payment and any other Cash to be paid by the Axar Entities and the Alden Entities under the Cash Election Commitment Agreement.

In making such Cash payments, the Debtors and the Reorganized Debtors will be entitled to transfer funds between and among themselves, as they determine to be necessary or appropriate, to enable the Reorganized Debtors to satisfy their obligations under the Plan. Except as set forth in the Plan, any changes in intercompany account balances resulting solely from such transfers will be accounted for and settled in accordance with the Debtors' historical intercompany account settlement practices and will not violate the terms of the Plan.

From and after the Effective Date, the Reorganized Debtors, subject to any applicable limitations set forth in any post-Effective Date financing, shall have the right and authority without further order of the Bankruptcy Court, to raise additional capital and obtain additional financing as the boards of directors of the applicable Reorganized Debtors deem appropriate.

K. Effectuating Documents and Further Transactions

The Debtors or the Reorganized Debtors, as applicable, may take all actions to execute, deliver, file, or record such contracts, instruments, releases, and other agreements or documents and take such actions as may be necessary or appropriate to effectuate and implement the provisions of the Plan, including, without limitation, the distribution of the securities to be issued pursuant hereto in the name of and on behalf of the Reorganized Debtors, without the need for any approvals, authorizations, actions, or consents except for those expressly required pursuant hereto. The secretary, any assistant secretary and any director of each Debtor shall be authorized to certify or attest to any of the foregoing actions. Prior to, on or after the Effective Date (as appropriate), all matters provided for pursuant to the Plan that would otherwise require approval of the shareholders, directors, or members of the Debtors shall be deemed to have been so approved and shall be in effect prior to, on or after the Effective Date (as appropriate) pursuant to applicable law and without any requirement of further action by the shareholders, directors, managers, or partners of the Debtors, or the need for any approvals, authorizations, actions or consents.

L. Issuance of New Equity

1. New Common Units

On the Effective Date, Reorganized Payless shall issue New Common Units in accordance with the terms of the Plan and the New Organizational Documents, without the need for any further corporate or member action.

Pursuant to the New Organizational Documents, Reorganized Payless will further be authorized, but not required, to issue New Incentive Units pursuant to the Management Incentive Plan (as described below).

Upon the Effective Date, (i) the New Common Units shall not be registered under the Securities Act, and shall not be listed for public trading on any securities exchange, and (ii) none of the Reorganized Debtors will be a reporting company under the Exchange Act. The New Common Units will be issued pursuant to section 1145 of the Bankruptcy Code or another available exemption from registration under the Securities Act, and the New Common Units may

be resold without registration under the Securities Act and other applicable securities laws by the recipients thereof without further registration, subject to certain restrictions under the provisions of section 1145(b)(1) of the Bankruptcy Code relating to the definition of an underwriter in section 2(a)(11) of the Securities Act, if applicable, and affiliates under applicable securities laws. Transfers of New Common Units will not otherwise (i) require approval of the New Board or (ii) be subject to other restrictions except for (a) the obligation of transferees to become party to the New Operating Agreement and (b) the right of first refusal on certain transfers of New Common Units by Alden and Axar, as set forth in the New Operating Agreement.

The distribution of New Common Units pursuant to the Plan may be made by delivery of one or more certificates representing such new units as described herein, by means of book entry registration on the books of the transfer agent of New Common Units or by means of book entry exchange through the facilities of a transfer agent satisfactory to the Debtors in accordance with the customary practices of such agent, as and to the extent practicable.

2. Tag, Drag and Preemptive Rights

Significant Holders shall have customary tag-along rights on transfers by either the Alden Entities (and their transferees) or the Axar Entities (and their transferees) of 25% or more of the Alden Entities or the Axar Entities respective holdings of New Common Units in a single transaction. The tag-along rights of any Significant Holder shall be with respect to the percentage of its holdings equal to the percentage of the holdings of the Alden Entities or the Axar Entities that the Alden Entities or the Axar Entities seek to transfer, as the case may be. A Significant Holder shall retain its right to these customary tag-along rights so long as such Significant Holder owns at least 51% of the New Common Units that it owned as of the Effective Date (or acquired following the Effective Date at which time it became the holder of 5% or more of the New Common Units.)

All holders of New Common Units shall have customary preemptive rights and other minority protections. In addition to rights to compel a sale of Reorganized Payless set forth in Article IV.M.6, customary drag-along rights shall apply to the sale in a single transaction of a majority of the New Common Units, which drag-along rights may be exercised in the first three years following the Effective Date by holders of at least 75% of the issued and outstanding New Common Units and following the third anniversary of the Effective Date by holders of a majority of the issued and outstanding New Common Units. Holders of New Common Units will not be required to make capital contributions to Reorganized Payless.

The foregoing shall be set forth in further detail in the New Organizational Documents.

3. Private Companies

On the Effective Date, the Reorganized Debtors shall be private, non-SEC reporting companies.

M. Simultaneous and Future Transactions

1. LatAm Business

Under the Plan, the LatAm Business shall be retained as property of the Reorganized Debtors and the LatAm JV Partners as of the Effective Date, and all obligations of the Debtors' direct or indirect non-Debtor subsidiaries that own or control the LatAm Business shall remain outstanding and continue in effect.

2. Royalty, Licensing, Sourcing and Service Agreements

All of the Debtors' royalty, licensing, services and sourcing agreements shall be assumed and retained as property of the Reorganized Debtors as of the Effective Date.

3. Canadian Debtors

The Canadian Debtors are not plan proponents under the Plan. The Debtors or Reorganized Debtors shall cause the Canadian Debtors to bring forward a motion for approval of a plan of compromise or arrangement under the CCAA (the "CCAA Plan") in the Canadian Court. The CCAA Plan shall be in form and substance acceptable to the Prepetition Term Loan Agent, the Requisite Lender Plan Support Parties, the Monitor, and the Canadian Debtors. To facilitate implementation of the CCAA Plan, the Prepetition Term Loan Agent and the Prepetition Term Loan Lenders consent to release their security over funds in an amount equal to the Canadian GUC Amount, to be held by the Canadian Debtors. The assets of the Canadian Debtors, except for the Canadian GUC Amount, and subject to any priority amounts provided for in the CCAA Plan, remain subject to the Term Loan Agent and Term Loan Lenders' security interests. The Canadian Debtors will cancel the claims of the Debtors against the Canadian Debtors, or otherwise resolve any Intercompany Claims in respect of the Canadian Debtors in a manner acceptable to the Debtors or the Reorganized Debtors and the Canadian Debtors.

4. Collective Brands Logistics Limited

Collective Brands Logistics Limited and Payless Sourcing LLC are authorized, but not directed, to commence or continue the liquidation process of their business and assets (including deregistration, liquidation, dissolution, bankruptcy and/or abandonment of any of their direct or indirect subsidiaries, branches or representative offices) in any relevant courts in or otherwise as appropriate in the subject jurisdictions. In exchange for the treatment of the Holders of General Unsecured Claims of Collective Brands Logistics Limited and Payless Sourcing LLC pursuant to this Plan, Collective Brands Logistics Limited and Payless Sourcing LLC shall be authorized (i) to assume and assign any executory contracts or unexpired leases pursuant to Section V, (ii) transfer any shares of its direct or indirect subsidiaries, and (iii) transfer, and take any and all steps to transfer, any assets (including assets of any of its direct or indirect subsidiaries, branches or representative offices which assets include, without limitation, any real property leases or any rental deposits or prepaid expenses thereunder), in each instance free and clear of all liens, claims and encumbrances, to Dynamic Assets Limited and/or any of its direct or indirect subsidiaries, branches or representative offices under this Plan. Nothing herein shall release or otherwise affect any amounts due to the Dynamic Assets Limited trade creditors and the Debtors shall continue to fund any amounts payable to Dynamic Assets Limited trade creditors in accordance with the

Debtors' budget authorizing use of cash collateral and such amounts shall either be paid in full on the Effective Date or placed into an escrow account on the Effective Date.

Collective Brands Logistics Limited and Payless Sourcing LLC are further authorized, but not directed, to reject that certain:

- Restated Joint Business Agreement dated December 21, 2016 between Payless Sourcing, LLC and Collective Brands Logistics Limited; and
- Declaration of Trust dated December 21, 2016 between Collective Brands Logistics, Limited as trustee and Payless Sourcing as beneficiary, and take any and all such steps as may be necessary to give effect to the rejection or unwinding of those agreements.

By this Plan, Collective Brands Logistics Limited and Payless Sourcing LLC are authorized, in their discretion, to (i) transfer, and take any and all steps to transfer, any, or all necessary, employees (including any contractors) of their direct or indirect subsidiaries, branches or representative offices to Dynamic Assets Limited and/or any of its direct or indirect subsidiaries, branches or representative offices, (ii) appoint, remove or replace any director, representative, branch manager or other office holder of their direct or indirect subsidiaries, branches or representative offices. Payless Sourcing LLC is further authorized to wind up or administratively deregister Collective Brands Services Limited ("CBSL"),⁸ by (i) rejecting the CBIHL Declaration of Trust and (ii) commencing or continuing the liquidation process of CBSL and any of its business and assets (including deregistration, liquidation, dissolution, bankruptcy and/or abandonment of any of its direct or indirect subsidiaries, branches or representative offices.

All Intercompany Claims between Collective Brands Logistics Limited and Payless Sourcing LLC on the one hand, and the remaining Debtors on the other hand, shall be deemed released as of the Effective Date.

5. Transactions With Affiliates

There shall be no Affiliate Transactions unless approved by all members of the New Board, excluding the New Board member designated by the applicable member (or its affiliate) that is party to the Affiliate Transaction. In addition, the New Board member designated by such applicable member shall be excluded from all deliberations on any such Affiliate Transaction. The foregoing shall be set forth in further detail in the New Organizational Documents.

6. Compelled Sale of the Company

After the third anniversary of the Effective Date, either the Alden Entities or the Axar Entities (so long as the Alden Entities and the Axar Entities, respectively, own at least 51% of the New Common Units that it owned as of the Effective Date) may compel the Reorganized Debtors to sell all of their remaining assets through a competitive process managed by independent third party financial advisors or investment bankers. After the fourth anniversary of the Effective Date,

⁸ Specifically, Payless Sourcing LLC is party to the Declaration of Trust dated November 26, 2016 between Collective Brands International Holdings, Limited II ("CBIHL") as trustee and Payless Sourcing LLC, as beneficiary, pursuant to which CBIHL holds shares in CBSL on trust for Payless Sourcing LLC (the "CBIHL Declaration of Trust").

the holders of at least 25% of the New Common Units (without regard to New Incentive Units) may compel the Reorganized Debtors to sell all of their remaining assets through a competitive process managed by independent third party financial advisors or investment bankers.

The Axar Entities, the Alden Entities, the Invesco Entities, and the Octagon Entities shall not have any right of first refusal or similar right to purchase any or all of the assets of the Reorganized Debtors, but each may submit proposals to purchase such assets; provided, however, that if any of the Axar Entities, the Alden Entities, the Invesco Entities, or the Octagon Entities participate in the sale process, such participant or participants shall be excluded from management of the process and will not have access to any advisors retained in connection with the process other than in its capacity as a bidding party. Any sale to any of the Axar Entities, the Alden Entities, the Invesco Entities, or the Octagon Entities will require the delivery of a fairness opinion by the third party financial advisor or investment bank retained to manage such sale.

The foregoing shall be set forth in further detail in the New Organizational Documents.

N. Section 1145 Exemption

Pursuant to section 1145 of the Bankruptcy Code and/or, to the extent that section 1145 of the Bankruptcy Code is unavailable, section 4(a)(2) of the Securities Act, and/or the safe harbor of Regulation D promulgated thereunder, or such other exemption as may be available from any applicable registration requirements, the offering, issuance, and distribution of any securities pursuant to this Plan shall be exempt from, among other things, the registration requirements of section 5 of the Securities Act to the maximum extent permitted thereunder and any other applicable law requiring registration by virtue of section 1145 of the Bankruptcy Code, prior to the offering, issuance, distribution, or sale of securities. In addition, to the maximum extent provided under section 1145 of the Bankruptcy Code, to the extent applicable, any and all New Common Units contemplated by the Plan and any and all settlement agreements incorporated therein will be freely tradable and transferable by any initial recipient thereof, subject to certain exceptions if the recipient (x) is an “affiliate” of the Reorganized Debtors (as defined in rule 144(a)(1) under the Securities Act), (y) has been such an “affiliate” within 90 days of such transfer, and (z) is an “underwriter” as defined in section 1145(b) of the Bankruptcy Code.

O. New Organizational Documents

On or immediately prior to the Effective Date, the organizational documents of each of the Debtors shall be amended and restated, as may be necessary to effectuate the transactions contemplated by the Plan, in a manner consistent with section 1123(a)(6) of the Bankruptcy Code. Each of the Reorganized Debtors will file its New Organizational Documents with the applicable Secretaries of State and/or other applicable authorities in its respective state, province, or country of incorporation in accordance with the corporate laws of the respective state, province, or country of incorporation. The New Organizational Documents will prohibit the issuance of non-voting equity securities to the extent required under section 1123(a)(6) of the Bankruptcy Code.

P. Exemption from Certain Transfer Taxes and Recording Fees

To the fullest extent permitted by section 1146(a) of the Bankruptcy Code, any transfer of property from a Debtor to a Reorganized Debtor or to any Entity pursuant to, in contemplation of,

or in connection with the Plan or pursuant to: (1) the issuance, distribution, transfer, or exchange of any debt, securities, or other interest in the Debtors or the Reorganized Debtors; (2) the creation, modification, consolidation, or recording of any mortgage, deed of trust, or other security interest, or the securing of additional indebtedness by such or other means; (3) the making, assignment, or recording of any lease or sublease; (4) the grant of collateral as security for any or all of the New First Lien Facility and New Second Lien Facility, as applicable; or (5) the making, delivery, or recording of any deed or other instrument of transfer under, in furtherance of, or in connection with, the Plan, including any deeds, bills of sale, assignments, or other instrument of transfer executed in connection with any transaction arising out of, contemplated by, or in any way related to the Plan, shall not be subject to any document recording tax, stamp tax, conveyance fee, intangibles or similar tax, mortgage tax, real estate transfer tax, mortgage recording tax, Uniform Commercial Code filing or recording fee, regulatory filing or recording fee, sales or use tax, or other similar tax or governmental assessment, and the appropriate state or local governmental officials or agents shall forego the collection of any such tax or governmental assessment and to accept for filing and recordation any of the foregoing instruments or other documents without the payment of any such tax or governmental assessment. All filing or recording officers (or any other Person with authority over any of the foregoing), wherever located and by whomever appointed, shall comply with the requirements of section 1146(c) of the Bankruptcy Code, shall forego the collection of any such tax or governmental assessment, and shall accept for filing and recordation any of the foregoing instruments or other documents without the payment of any such tax or governmental assessment.

Q. Directors and Officers of Reorganized Payless and Other Reorganized Debtors

The Debtors shall disclose the identities of the members of the New Board and the Independent Director prior to the Effective Date. On the Effective Date, the New Board shall consist of the following Initial Directors: (i) one director and/or manager appointed by Axar; (ii) one director and/or manager appointed by Alden; (iii) one director and/or manager jointly appointed by Invesco and Octagon; and (iv) an Independent Director jointly appointed by Axar, Alden, Octagon, and Invesco no later than ten (10) days prior to the deadline to object to confirmation of this Plan. As set forth in detail in the New Organizational Documents, in the event Invesco and Octagon, together with their respective affiliates, cease to hold any New Common Units, the Independent Director's seat on the New Board shall be filled through annual election by the Holders of a majority of the New Common Units, and such director and/or manager shall have relevant industry experience, and shall be independent and have no prior or then current relationship with any of the remaining pre-existing designees.

The full processes for election of members of the New Board and replacement of members of the New Board will be provided for in the New Operating Agreement. For so long as the New Board is composed of four directors, to the extent a decision or action of Reorganized Payless is approved by two members of the New Board, and two members of the New Board oppose a decision or action, such decision or action may, at the request of the members of the New Board approving such action, be put to a vote of Holders of issued and outstanding New Common Units, and if approved by Holders of at least 90% of the issued and outstanding New Common Units, shall be deemed approved; provided that, in the event Invesco and Octagon collectively cease to hold any New Common Units but the New Board continues to be comprised of four directors, the foregoing reference to 90% shall be reduced to 75%.

The following are decisions and actions that, if approved by the New Board acting by less than unanimous consent, will require approval of holders of at least 75% of the issued and outstanding New Common Units: (i) the sale of the LatAm Business, (ii) the consummation by Reorganized Payless of a transaction resulting in a change of control of Reorganized Payless, (iii) the acquisition by Reorganized Payless of another unaffiliated entity or business, whether via merger, the acquisition of equity or the assets of such entity, which transaction has a purchase price in an amount greater than 25% of the equity value of Reorganized Payless at such time (prior to consummation of such transaction), (iv) the sale or disposition by Reorganized Payless of assets of Reorganized Payless outside of the ordinary course of business for a sale price greater than 25% of the equity value of Reorganized Payless at such time (prior to consummation of such sale or disposition), (v) a fundamental change to the nature of Reorganized Payless's business, and (vi) the issuance of more than 20% of New Common Units (subject to certain customary issuance exceptions as apply to preemptive rights referenced above); provided, however that the foregoing approvals shall not apply to a compelled sale of Reorganized Payless as set forth below in the Article IV.L.6.

So long as the Octagon Entities continue to own at least 51% of the New Common Units that they owned as of the Effective Date, Octagon shall have New Board observation rights. So long as the Invesco Entities continue to own at least 51% of the New Common Units that they owned as of the Effective Date, Invesco shall have New Board observation rights.

The foregoing shall be set forth in additional detail in the New Organizational Documents.

R. Preservation of Causes of Action

In accordance with section 1123(b) of the Bankruptcy Code, but subject to Article IX below, the Reorganized Debtors shall retain and may enforce all rights to commence and pursue, as appropriate, any and all Causes of Action, whether arising before or after the Petition Date, and the Reorganized Debtors' rights to commence, prosecute, or settle such Causes of Action shall be preserved notwithstanding the occurrence of the Effective Date, other than the Causes of Action released by the Debtors pursuant to the releases and exculpations contained in the Plan, including Article IX; provided, however, that all Preference Claims, other than Excluded Preference Claims, shall be deemed assigned to the Liquidating Trust. Excluded Preference Claims shall be retained by the Reorganized Debtors; provided, however, that the Reorganized Debtors shall not commence any Excluded Preference Claims against any Released Parties. **No Entity may rely on the absence of a specific reference in the Plan or the Disclosure Statement to any Cause of Action against it as any indication that the Debtors or the Reorganized Debtors, as applicable, will not pursue any and all available Causes of Action against it. The Debtors or the Reorganized Debtors, as applicable, expressly reserve all rights to prosecute any and all Causes of Action against any Entity, except as otherwise expressly provided in the Plan, including Article IV.Q and Article IX of the Plan.** Unless any Causes of Action against an Entity are expressly waived, relinquished, exculpated, released, compromised, or settled in the Plan or a Bankruptcy Court order, the Reorganized Debtors expressly reserve all Causes of Action, for later adjudication, and, therefore no preclusion doctrine, including the doctrines of *res judicata*, collateral estoppel, issue preclusion, claim preclusion, estoppel (judicial, equitable, or otherwise) or laches, shall apply to such Causes of Action upon, after, or as a consequence of the Confirmation or the Effective Date.

The Reorganized Debtors reserve and shall retain the Causes of Action notwithstanding the rejection or repudiation of any Executory Contract or Unexpired Lease during the Chapter 11 Cases or pursuant to the Plan. In accordance with section 1123(b)(3) of the Bankruptcy Code, any Causes of Action that a Debtor may hold against any Entity shall vest in the applicable Reorganized Debtor, except as otherwise expressly provided in the Plan, including Article IV.Q and Article IX of the Plan. The applicable Reorganized Debtors, through their authorized agents or representatives, shall retain and may exclusively enforce any and all such Causes of Action. The Reorganized Debtors shall have the exclusive right, authority, and discretion to determine and to initiate, file, prosecute, enforce, abandon, settle, compromise, release, withdraw, or litigate to judgment any such Causes of Action and to decline to do any of the foregoing without the consent or approval of any third party or further notice to or action, order or approval of the Bankruptcy Court.

S. Directors and Officers Insurance Policies and Agreements

Notwithstanding anything in the Plan to the contrary, effective as of the Effective Date, the Reorganized Debtors shall be deemed to have assumed all unexpired D&O Liability Insurance Policies with respect to the Debtors' directors, managers, officers, and employees serving on or prior to the Petition Date pursuant to Bankruptcy Code section 365(a). Entry of the Confirmation Order will constitute the Bankruptcy Court's approval of the Reorganized Debtors' assumption of each of the unexpired D&O Liability Insurance Policies. Notwithstanding anything to the contrary contained in the Plan, Confirmation of the Plan shall not discharge, impair, or otherwise modify any indemnity obligations assumed by the foregoing assumption of the D&O Liability Insurance Policies, and each such indemnity obligation will be deemed and treated as an Executory Contract that has been assumed by the Reorganized Debtors under the Plan as to which no Proof of Claim need be filed.

After the Effective Date, the Reorganized Debtors shall not terminate or otherwise reduce the coverage under any D&O Liability Insurance Policy (including such tail coverage liability insurance) in effect and all members, managers, directors, and officers of the Debtors or the Canadian Debtors who served in such capacity at any time prior to the Effective Date of the Plan shall be entitled to the full benefits of any such policy for the full term of such policy regardless of whether such members, managers, directors, and/or officers remain in such positions after the Effective Date of the Plan.

On the Effective Date, the Reorganized Debtors shall purchase a customary D&O tail policy.

On the Effective Date, Reorganized Payless will enter into indemnification agreements with each of the members of the New Board, with such indemnification agreements being in a form acceptable to Alden, Axar, Invesco and Octagon.

T. Compensation and Benefits Programs

Unless otherwise provided herein, in the Confirmation Order, or any applicable agreements binding on the Debtors, all employee wages, compensation, and benefit programs in place as of the Effective Date with the Debtors shall be assumed by the Reorganized Debtors and shall remain

in place as of the Effective Date, and the Reorganized Debtors will continue to honor such agreements, arrangements, programs, and plans. Notwithstanding the foregoing, pursuant to section 1129(a)(13) of the Bankruptcy Code, from and after the Effective Date, all retiree benefits (as such term is defined in section 1114 of the Bankruptcy Code), if any, shall continue to be paid in accordance with applicable law.

1. Management Incentive Plan

Unless the terms of a Management Incentive Plan are agreed to prior to the Effective Date by the Requisite Lender Plan Support Parties, promptly on or as soon as practicable after the Effective Date, the New Board will adopt and implement a Management Incentive Plan. The New Board will determine the number of New Incentive Units, if any, to be available for award under the Management Incentive Plan and the allocation of New Incentive Units, if any.

2. Continuation of Retiree Benefits

The Reorganized Debtors' obligations with respect to the payment of "retiree benefits" (as that term is defined in section 1114(a) of the Bankruptcy Code) shall continue for the duration of the periods the Debtors have obligated themselves to provide such benefits, if any, subject to any contractual rights to terminate or modify such benefits. All rights of the Reorganized Debtors with respect to such obligations are fully reserved.

3. Workers' Compensation Programs

As of the Effective Date, the Debtors and the Reorganized Debtors shall continue to honor their obligations under: (i) all applicable workers' compensation laws in states in which the Reorganized Debtors operate; and (ii) the Debtors' written contracts, agreements, agreements of indemnity, self-insurer workers' compensation bonds, policies, programs, and plans for workers' compensation and workers' compensation insurance, including without limitation, any Insurance Policies providing workers' compensation insurance coverage to the Debtors. Notwithstanding the foregoing, the Debtors and Reorganized Debtors reserve the right to object to Claims asserted pursuant to applicable workers' compensation programs and to seek to reduce any bonds, letters of credit, or other security related to such programs.

All Proofs of Claims on account of workers' compensation shall be deemed withdrawn automatically and without any further notice to or action, order, or approval of the Bankruptcy Court; provided, however, that nothing in the Plan shall limit, diminish, or otherwise alter the Debtors' or Reorganized Debtors' defenses, Causes of Action, or other rights under applicable non-bankruptcy law with respect to any such contracts, agreements, policies, programs and plans, and all rights of the Reorganized Debtors with respect to such obligations are fully reserved; *provided, further*, that nothing herein shall be deemed to impose any obligations on the Debtors in addition to what is provided for under applicable state law.

Notwithstanding the foregoing, (i) the Insurance Policy providing workers' compensation insurance coverage to the Debtors, entered into between Payless Holdings LLC and Hartford Insurance Company, effective August 1, 2019, is the only currently operative workers' compensation insurance coverage policy in place for the Debtors or Reorganized Debtors; (ii) all prior Insurance Policies providing workers' compensation insurance coverage have been

terminated and/or are no longer in effect; and (iii) with respect to any state agency Claims on account of workers' compensation relating to states in which the Debtors or Reorganized Debtors no longer operate, the Debtors and Reorganized Debtors shall honor their obligations under applicable state law and the Bankruptcy Code.

U. Transaction Expenses

On the Effective Date, the Debtors shall pay in full in Cash the Transaction Expenses. Following the Effective Date, the Reorganized Debtors will pay the reasonable and documented fees and expenses of the Prepetition Term Loan Agent pursuant and subject to the terms of the Prepetition Term Loan Facility in connection with the distributions provided for under the Plan and distributions from the Canadian Debtors to Holders of the Prepetition Term Loan Claims and in connection with any steps requested by the Debtors, the Reorganized Debtors, or any administrative agent under the New First Lien Facility Documents and/or New Second Lien Facility Documents to cancel and/or extinguish the Prepetition Term Loan Agent's liens and/or security interests.

V. Additional Governance and Related Terms

The New Organizational Documents will reflect such additional governance and related terms regarding the Reorganized Debtors as set forth in the Corporate Governance Term Sheet, including, without limitation, with respect to the management of the Reorganized Debtors, the structure, designation, replacement, and voting requirements of the New Board, and certain other corporate governance terms.

ARTICLE V.

TREATMENT OF EXECUTORY CONTRACTS AND UNEXPIRED LEASES

A. Assumption and Rejection of Executory Contracts and Unexpired Leases

On the Effective Date, executory contracts and unexpired leases listed on the Schedule of Assumed Executory Contracts and Unexpired Leases filed with the Plan Supplement shall be assumed. The Debtors are deemed to reject any unexpired executory contracts and unexpired leases not expressly assumed on the Schedule of Assumed Executory Contracts and Unexpired Leases. The Debtors shall have the right to remove any executory contracts and unexpired leases from the Schedule of Assumed Executory Contracts and Unexpired Leases at any time prior to the Effective Date, and any such removed executory contracts and unexpired leases shall be deemed rejected as of the Effective Date.

Notwithstanding the provisions in this Plan, landlords that are a party to the Stub Rent Settlement are entitled to rely on the provisions of that agreement. Those landlords that file timely Administrative Claims for Stub Rent may opt in to the Stub Rent Settlement by the Voting Deadline and receive the benefit of the Stub Rent Settlement; provided, however, that if such landlords do not opt in by the Voting Deadline, the Reorganized Debtors reserve all rights to challenge any argument by such parties for entitlement to any claim other than a General Unsecured Claim.

Entry of the Confirmation Order by the Bankruptcy Court shall, subject to and upon the occurrence of the Effective Date, constitute a Bankruptcy Order approving the assumptions or rejections of the Executory Contracts and Unexpired Leases assumed or rejected pursuant to the Plan. Each Executory Contract and Unexpired Lease assumed pursuant to this Article V.A or by any order of the Bankruptcy Court shall be vested in and be fully enforceable by the Reorganized Debtors in accordance with its terms, unless otherwise agreed by the Debtors and the applicable counterparty to the Executory Contract or Unexpired Lease, and except as such terms are modified by any order of the Bankruptcy Court authorizing and providing for its assumption under applicable federal law.

B. Indemnification Obligations

On the Effective Date, except as otherwise provided herein, (i) all Indemnification Obligations to the extent asserted in a Proof of Claim timely filed prior to the Original Debtors' Claims Bar Date and (ii) consistent with applicable law, all Indemnification Obligations of the Debtors to indemnify current directors, officers, managers, employees, attorneys, accountants, investment bankers, and other professionals of the Debtors serving as of or after the Petition Date, as applicable, shall be assumed, which assumption shall be irrevocable, and shall survive the Effective Date.

C. Directors and Officers Insurance Policies and Agreements

Pursuant to Article IV.S hereof, notwithstanding anything in the Plan to the contrary, effective as of the Effective Date, the Reorganized Debtors shall be deemed to have assumed all unexpired D&O Liability Insurance Policies.

D. Insurance Policies and Surety Bonds

Notwithstanding anything to the contrary in the Disclosure Statement, the Plan, the Confirmation Order, the Claims Bar Date Order, any claim objection, any other document related to any of the foregoing, or any other order of the Bankruptcy Court (including, without limitation, any other provision that purports to be preemptory or supervening, grants an injunction or release, confers Bankruptcy Court jurisdiction, or requires a party to opt out of any releases): (1) on the Effective Date, the Reorganized Debtors shall be deemed to have assumed all Insurance Policies (other than the D&O Liability Insurance Policies, which shall receive the treatment set forth in Article V.C of the Plan) and all obligations thereunder, regardless of when they arise; and (2) except as set forth in Article V.C of the Plan, nothing (a) alters, modifies, or otherwise amends the terms and conditions of (or the coverage provided by) any of such Insurance Policies or (b) alters or modifies the duty, if any, that the insurers or third-party administrators have to pay claims covered by such Insurance Policies and their right to seek payment or reimbursement from the Debtors (or after the Effective Date, the Reorganized Debtors) or draw on any collateral or security therefor. For the avoidance of doubt, insurers and third-party administrators shall not need to nor be required to file or serve a Cure objection or a request, application, Claim, Proof of Claim, or motion for payment and shall not be subject to any Claims Bar Date or similar deadline governing Cure Claims or Claims.

Notwithstanding any other provision of the Plan, on the Effective Date: (1) all of the Debtors' obligations and commitments to any surety bond provider, including without limitation, obligations under any related indemnity agreements, shall be deemed reaffirmed and shall be continuing obligations of the Reorganized Debtors; (2) all bonded obligations of the Debtors for which such surety bonds secure performance by the Debtors shall be deemed assumed by the Debtors and shall be unimpaired by the Plan or Confirmation Order; and (3) to the extent any of the obligations and commitments set forth in this provision are secured by collateral, such collateral shall remain in place. Nothing in the Plan or Confirmation Order shall be deemed to: (a) modify or impair the rights of any party under the Debtors' surety bonds, related indemnity agreements, or applicable law; (b) require any surety bond provider to issue any new surety bonds or extensions or renewals of any surety bonds; or (c) affect the sureties' respective rights (only to the extent such rights exist with respect to the surety bonds, indemnity agreements or under applicable law) to require the Reorganized Debtors to execute and deliver to the Sureties new indemnity agreements containing such new or additional terms as the Sureties may require in their discretion. Notwithstanding the foregoing, the Debtors and Reorganized Debtors reserve the right to object to the Claims secured by such surety bond and seek to reduce such surety bonds in accordance with the objections.

E. Cure of Defaults for Assumed Executory Contracts and Unexpired Leases and Claims Based on Rejection of Executory Contracts and Unexpired Leases

The Debtors shall file the Schedule of Assumed Executory Contracts and Unexpired Leases with the Plan Supplement. Any Cure Claims under each Executory Contract and Unexpired Lease to be assumed pursuant to the Plan shall be satisfied, pursuant to section 365(b)(1) of the Bankruptcy Code, by payment of Cure Claim in Cash on the Effective Date, subject to the limitation described below, or on such other terms as the parties to such Executory Contracts or Unexpired Leases may otherwise agree; provided, however, that the Debtors or the Reorganized Debtors, as applicable, shall not settle or otherwise resolve any Cure Claim by providing the counterparty to the Executory Contract or Unexpired Lease with a General Unsecured Claim without the consent of the Creditors' Committee or Liquidating Trustee, as applicable, or further order of the Bankruptcy Court. In the event of a dispute between the Debtors and a counterparty to any Executory Contracts or Unexpired Leases that is not resolved between the parties regarding (1) the amount of any Cure Claim, (2) the ability of the Reorganized Debtors or any assignee to provide "adequate assurance of future performance" (within the meaning of section 365 of the Bankruptcy Code) under the Executory Contract or Unexpired Lease to be assumed, or (3) any other matter pertaining to assumption, the Cure payments required by section 365(b)(1) of the Bankruptcy Code shall be made following the entry of a Final Order or orders resolving the dispute and approving the assumption, which Final Order or orders may, for the avoidance of doubt, be entered (and any related hearing may be held) after the Effective Date.

The Debtors will cause Cure Notices to be served by overnight delivery service upon the applicable contract counterparty affected by such notices and by email upon counsel of record for the applicable contract counterparty, if any. Any objection by a counterparty to an Executory Contract or Unexpired Lease to a proposed assumption or related Cure Claim must be filed, served, and actually received by the Debtors no later than ten (10) days after service of the notice of proposed assumption and proposed Cure Claims. Any such objections will be scheduled to be heard by the Bankruptcy Court at the Debtors' or Reorganized Debtors', as applicable, first

scheduled omnibus hearing after which such objection is timely filed. Any counterparty to an Executory Contract or Unexpired Lease that fails to object timely to the proposed assumption or Cure Claim will be deemed to have assented to such assumption or Cure Claim. To the extent any such dispute regarding the assumption of an Executory Contract or Unexpired Lease is not consensually resolved by the parties or otherwise resolved prior to the Effective Date, such assumption will be deemed to occur retroactively to the Effective Date if approved by the Bankruptcy Court. Notwithstanding the foregoing, all landlords' rights to recover amounts which have accrued or come due between the Cure objection deadline and the effective date of assumption are reserved.

Any Cure Claim shall be deemed fully satisfied, released, and discharged upon payment by the Debtors of any one of the following: (1) amounts listed on the Debtors' Schedule of Assumed Executory Contracts and Unexpired Leases (if no objections to the Cure Claim is filed within the applicable objection period), (2) amounts agreed to by the Debtors and the applicable counterparty, or (3) amounts as ordered by the Bankruptcy Court; provided, however, that nothing shall prevent the Reorganized Debtors from paying any Cure Claim despite the failure of the relevant counterparty to file such request for payment of such Cure Claim. The Debtors or the Reorganized Debtors, as applicable, may settle any Cure Claim without any further notice to or action, order, or approval of the Bankruptcy Court; provided, however, that the Debtors or the Reorganized Debtors, as applicable, shall not settle or otherwise resolve any Cure Claim by providing the counterparty to the Executory Contract or Unexpired Lease with a General Unsecured Claim without the consent of Creditors' Committee or the Liquidating Trustee, as applicable, or further order of the Bankruptcy Court.

Assumption of any Executory Contract or Unexpired Lease pursuant to the Plan or otherwise shall result in the full release and satisfaction of any Claims or defaults, whether monetary or nonmonetary, including, without limitation, defaults of provisions restricting the change in control or ownership interest composition or other bankruptcy-related defaults, arising under any assumed Executory Contract or Unexpired Lease at any time prior to the effective date of assumption. All Executory Contracts or Unexpired Leases not expressly assumed pursuant to this Plan shall be deemed rejected.

Any Proofs of Claim filed with respect to an Executory Contract, Unexpired Lease, or Insurance Policy that has been assumed pursuant to the provisions of the Plan shall be deemed satisfied upon the Debtors' curing of any and all defaults related thereto, without further notice to or action, order, or approval of the Bankruptcy Court.

Unless otherwise provided by a Final Order of the Bankruptcy Court, all Proofs of Claim with respect to Claims arising from the rejection of Executory Contracts or Unexpired Leases, pursuant to the Plan or the Confirmation Order, if any, must be filed with the Bankruptcy Court within thirty (30) days after the earliest to occur of (1) the date of entry of an order of the Bankruptcy Court (including the Confirmation Order) approving such rejection, (2) if applicable, the effective date of such rejection set forth in the Debtors' corresponding notice of rejection, or (3) the Effective Date. **Any Claims arising from the rejection of an Executory Contract or Unexpired Lease not filed with the Bankruptcy Court within the earliest applicable deadline will be automatically disallowed, forever barred from assertion, and shall not be enforceable against the Debtors or the Reorganized Debtors, the Estates, or their property without the**

need for any objection by the Reorganized Debtors or further notice to, or action, order, or approval of the Bankruptcy Court or any other Entity, and any Claim arising out of the rejection of the Executory Contract or Unexpired Lease shall be deemed fully satisfied, released, and discharged, notwithstanding anything in the Schedules or a Proof of Claim to the contrary.

F. Preexisting Obligations to the Debtors Under Executory Contracts and Unexpired Leases

Rejection of any Executory Contract or Unexpired Lease pursuant to the Plan or otherwise shall not constitute a termination of preexisting obligations owed to the Debtors or the Reorganized Debtors, as applicable, under such Executory Contracts or Unexpired Leases. In particular, notwithstanding any non-bankruptcy law to the contrary, the Reorganized Debtors expressly reserve and do not waive any right to receive, or any continuing obligation of a counterparty to provide, warranties or continued maintenance obligations on goods previously purchased by the Debtors contracting from non-Debtor counterparties to rejected Executory Contracts or Unexpired Leases.

G. Modifications, Amendments, Supplements, Restatements, or Other Agreements

Unless otherwise provided in the Plan, each Executory Contract or Unexpired Lease that is assumed shall include all modifications, amendments, supplements, restatements, or other agreements that in any manner affect such Executory Contract or Unexpired Lease, and Executory Contracts and Unexpired Leases related thereto, if any, including easements, licenses, permits, rights, privileges, immunities, options, rights of first refusal, and any other interests, unless any of the foregoing agreements has been previously rejected or repudiated or is rejected or repudiated under the Plan.

Modifications, amendments, supplements, and restatements to prepetition Executory Contracts and Unexpired Leases that have been executed by the Debtors during the Chapter 11 Cases shall not be deemed to alter the prepetition nature of the Executory Contract or Unexpired Lease, or the validity, priority, or amount of any Claims that may arise in connection therewith.

H. Contracts and Leases Entered Into After the Petition Date

Contracts and leases entered into after the Petition Date by any Debtor, including any Executory Contracts and Unexpired Leases assumed by such Debtor, and any agreements entered into with creditors pursuant to the interim and final orders authorizing the Debtors to pay prepetition claims of critical vendors, carriers, warehousemen, and section 503(b)(9) claimants [Docket Nos. 88, 600], will be performed by the applicable Debtor or the Reorganized Debtor liable thereunder in the ordinary course of its business. Accordingly, such contracts and leases (including any assumed Executory Contracts and Unexpired Leases) will survive and remain unaffected by entry of the Confirmation Order.

I. Reservation of Rights

Neither the exclusion nor inclusion of any Executory Contract or Unexpired Lease on the Schedule of Assumed Executory Contract and Unexpired Leases, nor anything contained in the Plan, shall constitute an admission by the Debtors that any such contract or lease is in fact an

Executory Contract or Unexpired Lease or that any of the Reorganized Debtors has any liability thereunder. If there is a dispute regarding whether a contract or lease is or was executory or unexpired at the time of assumption or rejection, the Debtors or the Reorganized Debtors, as applicable, shall have 30 days following entry of a Final Order resolving such dispute to alter their treatment of such contract or lease under the Plan.

J. Nonoccurrence of Effective Date

In the event that the Effective Date does not occur, the Bankruptcy Court shall retain jurisdiction with respect to any request to extend the deadline for assuming or rejecting Unexpired Leases pursuant to Bankruptcy Code section 365(d)(4).

ARTICLE VI.

PROVISIONS GOVERNING DISTRIBUTIONS

A. Distributions for Claims Allowed as of the Effective Date

Except as otherwise provided in the Plan, a Final Order, or as agreed to by the relevant parties, the Reorganized Debtors shall make initial distributions under the Plan on account of Allowed Claims (other than Class 5A and Class 5B Claims)⁹ as soon as practicable after the Initial Distribution Date; provided, however, notwithstanding anything else to the contrary, distributions under the Plan to Class 3 and Class 4 shall take place on the Effective Date.

B. Liquidating Trust

1. Formation of the Liquidating Trust

(a) On the Effective Date, the Liquidating Trust will be established pursuant to the Liquidating Trust Agreement and become effective for the sole purpose of liquidating and administering the Liquidating Trust Assets, which shall be funded and transferred to the Liquidating Trust on the Effective Date, and making distributions to holders of Class 5A and Class 5B Claims as provided for under the terms of the Plan in accordance with Treas. Reg. § 301.7701-4(d).

(b) The Liquidating Trust shall have a separate existence from the Debtors. On the Effective Date, the Liquidating Trust Assets shall be transferred into the Liquidating Trust. The Confirmation Order shall provide that the Reorganized Debtors shall not have a property interest in the Liquidating Trust and such funds shall not be considered property of the Reorganized Debtors and any liens, charges, or other encumbrances granted under the Plan shall not extend to an interest in the funds held in the Liquidating Trust. The Liquidating Trust shall not be deemed a successor in interest of the Debtors for any purpose other than as specifically set forth herein or in the Liquidating Trust Agreement. On the Effective Date, all Preference Claims, other than Excluded Preference Claims, shall be deemed assigned to the Liquidating Trust; provided, however,

⁹ The Reorganized Debtors shall provide up to two employees to the Liquidating Trustee in terms of the Claim information necessary to administer the Liquidating Trust Assets.

that the Liquidating Trust may only assert such Preference Claims defensively to reduce General Unsecured Claims. Notwithstanding anything to the contrary, the Reorganized Debtors shall retain the sole authority to administer Factory Claims; provided, however, that the Reorganized Debtors may only assert Preference Claims relating to the Factory Claims defensively to reduce the Factory Claims; provided further, however, that the Reorganized Debtors shall not settle the Factory Claims for more than the scheduled amounts without the consent of the Liquidating Trustee, such consent not to be unreasonably withheld, or an order of the Bankruptcy Court.

(c) Subject to, and to the extent set forth in the Plan, the Confirmation Order, the Liquidating Trust Agreement or other agreement (or any other order of the Bankruptcy Court pursuant to, or in furtherance of, the Plan), the Liquidating Trust Agreement shall contain provisions customary to trust agreements utilized in comparable circumstances, including, without limitation, any and all provisions necessary to ensure the continued treatment of the Liquidating Trust as a grantor trust and the Liquidating Trust Beneficiaries as the grantors and owners thereof for federal income tax purposes. The Liquidating Trust Agreement may provide powers, duties, and authorities in addition to those explicitly stated herein, but only to the extent that such powers, duties, and authorities do not affect the status of the Liquidating Trust as a “liquidating trust” for United States federal income tax purposes. In the event of any conflict between the terms of this Section VI.B.1 and the terms of the Liquidating Trust Agreement as such conflicts relate to the establishment of the Liquidating Trust, the terms of the Liquidating Trust Agreement shall govern.

(d) The Liquidating Trust has no objective to, and will not, engage in a trade or business and will conduct its activities consistent with the Plan and the Liquidating Trust Agreement.

(e) On the Effective Date, the Liquidating Trustee, on behalf of the Debtors, shall execute the Liquidating Trust Agreement and shall take all other steps necessary to establish the Liquidating Trust pursuant to the Liquidating Trust Agreement and consistent with the Plan.

(f) The Liquidating Trust and the Liquidating Trustee will each be a representative of the Estates with respect to the Liquidating Trust Assets under Bankruptcy Code section 1123(b)(3)(B), and the Liquidating Trustee will be the trustee of the Liquidating Trust Assets for purposes of 31 U.S.C. § 3713(b) and 26 U.S.C. § 6012(b)(3), and, as such, the Liquidating Trustee succeeds to all of the rights, powers and obligations of a trustee in bankruptcy with respect to collecting, maintaining, administering and liquidating the Liquidating Trust Assets.

(g) On the Effective Date, and in accordance with sections 1123 and 1141 of the Bankruptcy Code and pursuant to the terms of the Plan, all title and interest in all of the Liquidating Trust Assets, as well as the rights and powers of each Debtor in such Liquidating Trust Assets, shall automatically vest in the Liquidating Trust, free and clear of all Claims and Interests for the benefit of the Liquidating Trust Beneficiaries. Upon the transfer of the Liquidating Trust Assets, the Debtors shall have no interest in or with respect

to the Liquidating Trust Assets or the Liquidating Trust. Upon delivery of the Liquidating Trust Assets to the Liquidating Trust, the Debtors and their predecessors, successors and assigns, shall be discharged and released from all liability with respect to the delivery of such distributions and shall have no reversionary or further interest in or with respect to the Liquidating Trust Assets or the Liquidating Trust. Notwithstanding the foregoing, for purposes of section 553 of the Bankruptcy Code, the transfer of the Liquidating Trust Assets to the Liquidating Trust shall not affect the mutuality of obligations which otherwise may have existed prior to the effectuation of such transfer. Such transfer shall be exempt from any stamp, real estate transfer, mortgage reporting, sales, use, or other similar tax, pursuant to section 1146(a) of the Bankruptcy Code. The Liquidating Trustee shall agree to accept and hold the Liquidating Trust Assets in the Liquidating Trust for the benefit of the Liquidating Trust Beneficiaries, subject to the terms of the Plan and the Liquidating Trust Agreement.

2. The Liquidating Trustee

(a) The Liquidating Trustee will be the exclusive trustee of the Liquidating Trust Assets for purposes of 31 U.S.C. § 3713(b) and 26 U.S.C. § 6012(b)(3), as well as the representative of the Estate of each of the Debtors appointed pursuant to Bankruptcy Code section 1123(b)(3)(B). The duties and powers of the Liquidating Trustee shall include all powers necessary to implement the Plan and to administer the Liquidating Trust Assets, including, without limitation, the duties and powers listed herein. The powers, rights and responsibilities of the Liquidating Trustee will be specified in the Liquidating Trust Agreement. The Liquidating Trustee will have the right and authority, without the need for Bankruptcy Court approval (unless otherwise indicated), to distribute the Liquidating Trust Assets and to carry out and implement other actions in accordance with the provisions of the Plan and the Liquidating Trust Agreement.

(b) Such power and authority of the Liquidating Trustee shall include, without limitation:

(i) except to the extent Claims have been previously Allowed, control and effectuate the Class 5A and Class 5B Claims reconciliation process, including to object to, seek to subordinate, compromise or settle any and all Class 5 Claims;

(ii) make Distributions to Holders of Allowed Class 5A and Class 5B Claims as set forth in the Plan;

(iii) determine Distribution Dates, in accordance with the Liquidating Trust Agreement;

(iv) maintain the books and records and accounts of the Liquidating Trust;

(v) invest Cash of the Liquidating Trust, and any income earned thereon; incur and pay reasonable and necessary expenses in connection with the

performance of duties under the Plan, including the reasonable fees and expenses of professionals retained by the Liquidating Trustee;

(vi) administer the Liquidating Trust's tax obligations, including (I) filing tax returns and paying tax obligations, (II) requesting, if necessary, an expedited determination of any unpaid tax liability of the Liquidating Trust for all taxable periods of such Liquidating Trust through the dissolution of the Liquidating Trust as determined under applicable tax laws, and (III) representing the interest and account of the Liquidating Trust before any taxing authority in all matters including, without limitation, any action, suit, proceeding or audit;

(vii) prepare and file any and all returns, reports, statements, or disclosures relating to the Liquidating Trust that are required under the Plan, by any governmental unit or applicable law;

(viii) maintain appropriate liability insurance for the Liquidating Trustee;

(ix) pay statutory fees; and

(x) perform other duties and functions that are consistent with the implementation of the Plan and the Liquidating Trust Agreement.

(c) Notwithstanding anything in the Plan or Liquidating Trust Agreement to the contrary, the Liquidating Trustee shall always act consistently with, and not contrary to, the purpose of the Liquidating Trust as set forth in this Section VI.B of the Plan. The Liquidating Trustee shall have fiduciary duties to the Liquidating Trust Beneficiaries consistent with the fiduciary duties that a member of an official committee appointed pursuant to section 1102 of the Bankruptcy Code has to the creditor constituents represented by such committee and shall exercise his, her or its responsibilities accordingly.

3. Liquidating Trust Fee and Expense Procedures

In addition to the Liquidating Trust Assets, the Reorganized Debtors shall reimburse the Liquidating Trust for the Estate Fee and Expense Contribution, which amount shall be paid to the Liquidating Trust over a twenty-four (24) month period, in an amount not to exceed \$250,000 per quarter, within thirty (30) days of receipt by the Reorganized Debtors of detailed invoices from the Liquidating Trust.

All additional Liquidating Trust Expenses shall be paid out of the Liquidating Trust Assets, subject to the Liquidating Trust Fee and Expense Cap. The Liquidating Trustee, on behalf of the Liquidating Trust, may, without further order of the Bankruptcy Court, retain third party professionals to assist in carrying out its duties hereunder and may compensate and reimburse the expenses of these professionals without further order of the Bankruptcy Court from the Liquidating Trust Assets.

4. Tax Treatment.

The Liquidating Trust is intended to qualify as a liquidating trust under Treasury Regulations section 301.7701-4(d), for the benefit of the Holders of Class 5A and Class 5B Claims entitled to distributions, and otherwise as one or more disputed ownership funds within the meaning of Treasury Regulations section 1.468B-9(b)(1). Accordingly, for all federal income tax purposes the transfer of the Liquidating Trust Assets to the Liquidating Trust will be treated as: (a) to the extent of pending payments, a transfer of the pending payments directly from the Debtors to the Holders of such Allowed Claims followed by the transfer of such pending payments by the Holders of Allowed Claims to the Liquidating Trust in exchange for rights to distributions from the Liquidating Trust; and (b) to the extent of amounts that are not pending payments, as a transfer to one or more disputed ownership funds. The Holders of Allowed Claims entitled to distributions will be treated for federal income tax purposes as the grantors and deemed owners of their respective shares of the Liquidating Trust Assets in the amounts of the pending payments and any earnings thereof. The Liquidating Trustee will be required by the Liquidating Trust Agreement to file federal tax returns for the Liquidating Trust as a grantor trust with respect to pending payments and as one or more disputed ownership funds with respect to all other funds or other property held by the Liquidating Trust pursuant to applicable Treasury Regulations, and any income of the Liquidating Trust will be treated as subject to tax on a current basis. The Liquidating Trust Agreement will provide that the Liquidating Trustee will pay such taxes from the Liquidating Trust Assets. The Liquidating Trust Agreement will provide that termination of the trust will occur no later than five years after the Effective Date, unless the Bankruptcy Court approves an extension upon a finding that such an extension is necessary for the Liquidating Trust to complete its aims.

5. Indemnification.

The Liquidating Trustee (and each of its agents and professionals) shall be indemnified in accordance with the terms of the Liquidating Trust Agreement.

C. Distributions on Account of Claims Allowed After the Effective Date

1. Payments and Distributions on Disputed Claims

Except as otherwise provided in the Plan, a Final Order, or as agreed to by the relevant parties, distributions under the Plan on account of a Disputed Claim that becomes an Allowed Claim after the Effective Date shall be made on the first Periodic Distribution Date after the Disputed Claim becomes an Allowed Claim. Payments to Holders of Allowed General Unsecured Claims shall be made out of the Liquidating Trust.

Except as otherwise provided in the Plan, Holders of Claims shall not be entitled to interest, dividends, or accruals on the distributions provided for in the Plan, regardless of whether such distributions are delivered on or at any time after the Effective Date.

2. Special Rules for Distributions to Holders of Disputed Claims

Notwithstanding any provision otherwise in the Plan and except as otherwise agreed to by the relevant parties, no partial payments and no partial distributions shall be made with respect to a Disputed Claim until all such disputes in connection with such Disputed Claim have been

resolved by settlement or Final Order. In the event that there are Disputed Claims requiring adjudication and resolution, the Reorganized Debtors or Liquidating Trustee, as applicable, shall establish appropriate reserves for potential payment of such Claims.

D. Timing and Calculation of Amounts to Be Distributed

Except as otherwise provided herein, on the Initial Distribution Date (or if a Claim is not an Allowed Claim on the Effective Date, on or as soon as practicable after the date that such a Claim becomes an Allowed Claim), each Holder of an Allowed Claim against the Debtors shall receive the full amount of the distributions that the Plan provides for Allowed Claims in the applicable Class.

If and to the extent that there are Disputed Claims, distributions on account of any such Disputed Claims shall be made pursuant to the provisions set forth in the applicable class treatment or in this Article VI. Except as otherwise provided in the Plan, Holders of Claims shall not be entitled to interest, dividends, or accruals on the distributions provided for in the Plan, regardless of whether such distributions are delivered on or at any time after the Effective Date.

E. Delivery and Distributions and Undeliverable or Unclaimed Distributions

1. Record Date for Distributions

On the Distribution Record Date, the Claims Register shall be closed and any party responsible for making distributions shall instead be authorized and entitled to recognize only those Holders of Claims listed on the Claims Register as of the close of business on the Distribution Record Date. If a Claim is transferred, and such transfer is properly filed, twenty (20) or fewer days before the Distribution Record Date, the Distribution Agent shall make distributions to the transferee only to the extent practical and, in any event, only if the relevant transfer form contains an unconditional and explicit certification and waiver of any objection to the transfer by the transferor.

2. Delivery of Distributions in General

Except as otherwise provided in the Plan, the Debtors, the Reorganized Debtors or the Liquidating Trustee, as applicable shall make distributions to Holders of Allowed Claims at the address for each such Holder as indicated on the Debtors' records as of the date of any such distribution; provided, however, that the manner of such distributions shall be determined at the discretion of the Debtors, the Reorganized Debtors or the Liquidating Trustee, as applicable; and provided further, that the address for each Holder of an Allowed Claim shall be the address set forth in any Proof of Claim filed by that Holder.

3. Delivery of Distributions to Prepetition Term Loan Lenders

Except as set forth in this Article VI.E.3, the Prepetition Term Loan Agent shall be deemed to be the Holder of all Prepetition Term Loan Lender Claims, as applicable, for purposes of distributions to be made hereunder, and all distributions on account of such Prepetition Term Loan Lender Claims shall be made to or on behalf of the Prepetition First Lien Agent. The Prepetition Term Loan Agent shall hold or direct such distributions for the benefit of the Holders of Allowed

Prepetition Term Loan Lender Claims, as applicable. Notwithstanding anything in the Plan to the contrary, and without limiting the exculpation and release provisions of the Plan, the Prepetition Term Loan Agent shall not have any liability to any person with respect to distributions made or directed to be made by the Prepetition Term Loan Agent.

4. Distributions by Distribution Agents (if any)

The Debtors, the Reorganized Debtors or the Liquidating Trustee, as applicable, shall have the authority, in their sole discretion, to enter into agreements with one or more Distribution Agents to facilitate the distributions required hereunder. To the extent the Debtors, the Reorganized Debtors and/or the Liquidating Trustee, as applicable, do determine to utilize a Distribution Agent to facilitate the distributions under the Plan to Holders of Allowed Claims, any such Distribution Agent would first be required to: (a) affirm its obligation to facilitate the prompt distribution of any documents; (b) affirm its obligation to facilitate the prompt distribution of any recoveries or distributions required under the Plan; (c) waive any right or ability to setoff, deduct from or assert any lien or encumbrance against the distributions required under the Plan to be distributed by such Distribution Agent; and (d) post a bond, obtain a surety bond, or provide some other form of security for the performance of its duties, the costs and expenses of procuring which shall be borne by the Debtors, the Reorganized Debtors or the Liquidating Trust, as applicable; provided, however, that the Liquidating Trustee has the right to waive the requirement of a bond or other security for the Distribution Agent.

The Debtors, the Reorganized Debtors or the Liquidating Trustee, as applicable, shall pay to the Distribution Agents all reasonable and documented fees and expenses of the Distribution Agents without the need for any approvals, authorizations, actions, or consents. The Distribution Agents shall submit detailed invoices to the Debtors, the Reorganized Debtors, or the Liquidating Trust as applicable, for all fees and expenses for which the Distribution Agent seeks reimbursement and the Debtors, the Reorganized Debtors or the Liquidating Trustee, as applicable, shall pay those amounts that they, in their sole discretion, deem reasonable, and shall object in writing to those fees and expenses, if any, that the Debtors, the Reorganized Debtors or the Liquidating Trustee, as applicable, deem to be unreasonable. In the event that the Debtors, the Reorganized Debtors or the Liquidating Trustee, as applicable, object to all or any portion of the amounts requested to be reimbursed in a Distribution Agent's invoice, the Debtors, the Reorganized Debtors or the Liquidating Trustee, as applicable, and such Distribution Agent shall endeavor, in good faith, to reach mutual agreement on the amount of the appropriate payment of such disputed fees and/or expenses. In the event that the Debtors, the Reorganized Debtors or the Liquidating Trustee, as applicable, and a Distribution Agent are unable to resolve any differences regarding disputed fees or expenses, either party shall be authorized to move to have such dispute heard by the Bankruptcy Court.

5. Minimum Distributions

Notwithstanding anything herein to the contrary, the Reorganized Debtors or the Liquidating Trustee, as applicable, shall not be required to make distributions or payments of less than \$10 (whether Cash or otherwise) and shall not be required to make partial distributions or payments of fractions of dollars. Whenever any payment or distribution of a fraction of a dollar or fractional share of New Common Units under the Plan would otherwise be called for, the actual

payment or distribution will reflect a rounding of such fraction to the nearest whole dollar or share of New Common Units (up or down), with half dollars and half shares of New Common Units or less being rounded down.

No Distribution Agent shall have any obligation to make a distribution on account of an Allowed Claim if: (a) the aggregate amount of all distributions authorized to be made on the Periodic Distribution Date in question is or has an economic value less than \$25,000, unless such distribution is a final distribution; or (b) the amount to be distributed to the specific Holder of an Allowed Claim on such Periodic Distribution Date does not constitute a final distribution to such Holder and is or has an economic value of less than \$10, which shall be treated as an undeliverable distribution under Article VI.E.

6. Undeliverable Distributions

(a) Holding of Certain Undeliverable Distributions

If any distribution to a Holder of an Allowed Claim made in accordance herewith is returned to the Reorganized Debtors or the Liquidating Trustee (or their Distribution Agent) as undeliverable, no further distributions shall be made to such Holder unless and until the Reorganized Debtors or the Liquidating Trustee (or their Distribution Agent) are notified in writing of such Holder's then current address, at which time all currently due missed distributions shall be made to such Holder on the next Periodic Distribution Date. Undeliverable distributions shall remain in the possession of the Reorganized Debtors or the Liquidating Trust, subject to Article VI.E.7(b) hereof, until such time as any such distributions become deliverable. Undeliverable distributions shall not be entitled to any additional interest, dividends, or other accruals of any kind on account of their distribution being undeliverable.

(b) Failure to Claim Undeliverable Distributions

After the Effective Date, the Reorganized Debtors or the Liquidating Trustee, as applicable, shall file with the Bankruptcy Court a list of the Holders of undeliverable distributions. This list shall be maintained and updated periodically in the sole discretion of the Reorganized Debtors or the Liquidating Trustee for as long as the Chapter 11 Cases stay open. Any Holder of an Allowed Claim, irrespective of when a Claim becomes an Allowed Claim, that does not notify the Reorganized Debtors or the Liquidating Trust, as applicable, of such Holder's then current address in accordance herewith within 30 days of the filing of the list of undeliverable distributions, shall have its Claim for such undeliverable distribution discharged and shall be forever barred, estopped and enjoined from asserting any such Claim against the Reorganized Debtors or the Liquidating Trust, as applicable or their property.

In such cases, (i) any Cash or New Common Units held for distribution on account of Allowed Claims shall be redistributed to Holders of Allowed Claims in the applicable Class on the next Periodic Distribution Date and (ii) any Cash held for distribution to other creditors shall be deemed unclaimed property under Bankruptcy Code section 347(b) and become property of the Reorganized Debtors, free of any Claims of such Holder with respect thereto. For the avoidance of doubt, any undeliverable distributions out of the Liquidating Trust shall be returned to the

Liquidating Trust and will not go to the Reorganized Debtors. Nothing contained herein shall require the Reorganized Debtors to attempt to locate any Holder of an Allowed Claim.

(c) Failure to Present Checks

Checks issued by the Distribution Agent on account of Allowed Claims shall be null and void if not negotiated within 180 days after the issuance of such check. In an effort to ensure that all Holders of Allowed Claims receive their allocated distributions, the Reorganized Debtors or the Liquidating Trustee, as applicable, shall file with the Bankruptcy Court a list of the Holders of any un-negotiated checks no later than 120 days after the issuance of such checks. This list shall be maintained and updated periodically in the sole discretion of the Reorganized Debtors or the Liquidating Trustee, as applicable, for as long as the Chapter 11 Cases stay open. Requests for reissuance of any check shall be made directly to the Distribution Agent by the Holder of the relevant Allowed Claim with respect to which such check originally was issued.

Any Holder of an Allowed Claim holding an un-negotiated check that does not request reissuance of such un-negotiated check within 180 days after the date of mailing or other delivery of such check shall have its Claim for such un-negotiated check discharged and be discharged and forever barred, estopped and enjoined from asserting any such Claim against the Reorganized Debtors or their property. In such cases, any Cash held for payment on account of such Claims shall be property of the Reorganized Debtors or the Liquidating Trust, as applicable, free of any Claims of such Holder with respect thereto. Nothing contained herein shall require the Reorganized Debtors to attempt to locate any Holder of an Allowed Claim.

F. Compliance with Withholding and Reporting Tax Requirements/Allocations

1. Withholding Rights. In connection with the Plan, any party issuing any instrument or making any Distributions described in the Plan shall comply with all applicable withholding and reporting requirements imposed by any federal, state, or local taxing authority, and all Distributions pursuant to the Plan and all related agreements shall be subject to any such withholding or reporting requirements. In the case of a non-Cash Distribution that is subject to withholding, the distributing party may withhold an appropriate portion of such distributed property and either (i) sell such withheld property to generate Cash necessary to pay over the withholding tax (or reimburse the distributing party for any advance payment of the withholding tax), or (ii) pay the withholding tax using its own funds and retain such withheld property. Any amounts withheld pursuant to the preceding sentence shall be deemed to have been distributed to and received by the applicable recipient for all purposes of the Plan. Notwithstanding the foregoing, each holder of an Allowed Claim or any other Entity that receives a Distribution pursuant to the Plan shall have responsibility for any taxes imposed by any governmental unit, including, without limitation, income, withholding, and other taxes, on account of such Distribution. Any party issuing any instrument or making any Distribution pursuant to the Plan has the right, but not the obligation, not to make a Distribution until such holder has made arrangements satisfactory to such issuing or disbursing party for payment of any such tax obligations. Moreover, the Reorganized Debtors or the Liquidating Trustee, as applicable, reserve the right to allocate all distributions made under the Plan in compliance with all applicable wage garnishments, alimony, child support and other spousal awards, liens, and encumbrances.

2. Forms. Any party entitled to receive any property as an issuance or Distribution under the Plan shall, upon request, deliver to the Distribution Agent or such other Entity designated by the Liquidating Trustee (which Entity shall subsequently deliver to the Distribution Agent any applicable IRS Form W-8 or Form W-9 received) an appropriate Form W-9 or (if the payee is a foreign Entity) Form W-8. If such request is made by the Liquidating Trustee, the Distribution Agent, or such other Entity designated by the Liquidating Trustee or Distribution Agent and the holder fails to comply before the earlier of (i) the date that is one hundred and eighty (180) days after the request is made and (ii) the date that is one hundred and eighty (180) days after the date of Distribution, the amount of such Distribution shall irrevocably revert to the applicable Liquidating Trustee and any Claim in respect of such Distribution shall be discharged and forever barred from assertion against such Liquidating Trustee or its respective property.

3. Allocation of Distributions between Principal and Interest. For tax purposes, distributions in full or partial satisfaction of Allowed Claims shall be allocated first to the principal amount of Allowed Claims, with any excess allocated to unpaid interest that accrued on such Claims.

G. Setoffs

Subject to Article IV.Q, the Debtors, the Reorganized Debtors or the Liquidating Trustee, as applicable, may withhold (but not setoff except as set forth below) from the distributions called for hereunder on account of any Allowed Claim an amount equal to any Claims, Equity Interests, rights, and Causes of Action of any nature that the Debtors, the Reorganized Debtors or the Liquidating Trust, as applicable, may hold against the Holder of any such Allowed Claim. In the event that any such Claims, Equity Interests, rights, and Causes of Action of any nature that the Debtors, the Reorganized Debtors or the Liquidating Trust, as applicable, may hold against the Holder of any such Allowed Claim are adjudicated by Final Order or otherwise resolved, the Debtors or the Liquidating Trustee may, pursuant to section 553 of the Bankruptcy Code or applicable non-bankruptcy law, set off against any Allowed Claim and the distributions to be made pursuant hereto on account of such Allowed Claim (before any distribution is made on account of such Allowed Claim), the amount of any adjudicated or resolved Claims, Equity Interests, rights, and Causes of Action of any nature that the Debtors, the Reorganized Debtors or the Liquidating Trust, as applicable, may hold against the Holder of any such Allowed Claim, but only to the extent of such adjudicated or resolved amount. Neither the failure to effect such a setoff nor the allowance of any Claim hereunder shall constitute a waiver or release by the Debtors, the Reorganized Debtors or the Liquidating Trust, as applicable, of any such Claims, Equity Interests, rights, and Causes of Action that the Debtors, the Reorganized Debtors or the Liquidating Trust, as applicable may possess against any such Holder, except as specifically provided herein.

H. Foreign Currency Exchange Rate

Except as otherwise provided in a Bankruptcy Court order, as of the Effective Date, any Claim asserted in currency other than U.S. dollars shall be automatically deemed converted to the equivalent U.S. dollar value using the exchange rate for the applicable currency as published in *The Wall Street Journal*, National Edition, on the Effective Date.

I. Claims Paid or Payable by Third Parties

1. Claims Paid by Third Parties

The Debtors, the Reorganized Debtors or the Liquidating Trustee, as applicable, shall reduce in full a Claim, and such Claim shall be disallowed without a Claims objection having to be filed and without any further notice to or action, order, or approval of the Bankruptcy Court, to the extent that the Holder of such Claim receives payment in full on account of such Claim from a party that is not a Debtor, Reorganized Debtor or the Liquidating Trust, as applicable. Subject to the last sentence of this paragraph, to the extent a Holder of a Claim receives a distribution from the Debtors, the Reorganized Debtors, or the Liquidating Trust, as applicable, on account of such Claim and also receives payment from a party that is not a Debtor, a Reorganized Debtor or the Liquidating Trust, as applicable, on account of such Claim, such Holder shall, within two weeks of receipt thereof, repay or return the distribution to the applicable Reorganized Debtor or the Liquidating Trust, to the extent the Holder's total recovery on account of such Claim from the third party and under the Plan exceeds the total amount of such Claim as of the date of any such distribution under the Plan. If the Debtors become aware of the payment by a third party, the Debtors, the Reorganized Debtors or the Liquidating Trustee, as applicable, will send a notice of wrongful payment to such party requesting return of any excess payments and advising the recipient of the provisions of the Plan requiring turnover of excess estate funds. The failure of such Holder to timely repay or return such distribution shall result in the Holder owing the applicable Reorganized Debtor or the Liquidating Trust annualized interest at the Federal Judgment Rate on such amount owed for each Business Day after the two-week grace period specified above until the amount is repaid.

2. Claims Payable by Third Parties

No distributions under the Plan shall be made on account of an Allowed Claim that is payable pursuant to one of the Debtors' Insurance Policies until the Holder of such Allowed Claim has exhausted all remedies with respect to such Insurance Policy. To the extent that one or more of the Debtors' insurers agrees to satisfy in full or in part a Claim (if and to the extent adjudicated by a court of competent jurisdiction), then immediately upon such insurers' agreement, the applicable portion of such Claim may be expunged without a Claims objection having to be filed and without any further notice to or action, order, or approval of the Bankruptcy Court.

3. Applicability of Insurance Policies

Except as otherwise provided in the Plan, distributions to Holders of Allowed Claims shall be made in accordance with the provisions of any applicable Insurance Policy. Nothing contained in the Plan shall constitute or be deemed a waiver of any Cause of Action that the Debtors or any Entity may hold against any other Entity, including any insurer(s) under any Insurance Policy, nor shall anything contained herein constitute or be deemed a waiver by such insurers of any rights or defenses, including coverage defenses, held by such insurers under the Insurance Policies.

ARTICLE VII.

PROCEDURES FOR RESOLVING CONTINGENT, UNLIQUIDATED AND DISPUTED CLAIMS

A. *Allowance of Claims*

After the Effective Date, the Reorganized Debtors or the Liquidating Trustee, as applicable, shall have and retain any and all rights and defenses the Debtors had with respect to any Claim or Interest immediately before the Effective Date.

B. *Claims Administration Responsibilities*

Except as set forth in Article VI.B regarding the Liquidating Trust, or as otherwise set forth in the Plan, after the Effective Date, the Reorganized Debtors shall have the sole authority: (1) to file, withdraw, or litigate to judgment objections to Claims or Interests; (2) to settle or compromise any Disputed Claim without any further notice to or action, order, or approval by the Bankruptcy Court; and (3) to administer and adjust the Claims Register to reflect any such settlements or compromises without any further notice to or action, order, or approval by the Bankruptcy Court.

C. *Estimation of Claims*

Before or after the Effective Date, the Debtors, Reorganized Debtors, or the Liquidating Trustee, as applicable, may (but are not required to) at any time request that the Bankruptcy Court estimate any Claim that is contingent or unliquidated pursuant to Bankruptcy Code section 502(c) for any reason, regardless of whether any party previously has objected to such Claim or Interest or whether the Bankruptcy Court has ruled on any such objection, and the Bankruptcy Court shall retain jurisdiction to estimate any such Claim or Interest, including during the litigation of any objection to any Claim or Interest or during the appeal relating to such objection. Notwithstanding any provision otherwise in the Plan, a Claim that has been expunged from the Claims Register, but that either is subject to appeal or has not been the subject of a Final Order, shall be deemed to be estimated at zero dollars, unless otherwise ordered by the Bankruptcy Court. In the event that the Bankruptcy Court estimates any contingent or unliquidated Claim or Interest, that estimated amount shall constitute a maximum limitation on such Claim or Interest for all purposes under the Plan (including for purposes of distributions), and the relevant Reorganized Debtor may elect to pursue any supplemental proceedings to object to any ultimate distribution on such Claim or Interest.

D. *Adjustment to Claims Without Objection*

Any Claim or Interest that has been paid or satisfied, or any such Claim or Interest that has been cancelled, or otherwise expunged (including pursuant to the Plan), may be adjusted or expunged (including on the Claims Register, to the extent applicable) by the Reorganized Debtors or the Liquidating Trustee, as applicable, without a Claims objection having to be filed and without any further notice to or action, order or approval of the Bankruptcy Court.

E. Time to File Objections to Claims

Any objections to Claims shall be filed on or before the Claims Objection Bar Date.

F. Disallowance of Claims

All Claims filed on account of an indemnification obligation to a director, officer, or employee shall be deemed satisfied and expunged from the Claims Register as of the Effective Date to the extent such indemnification obligation is assumed (or honored or reaffirmed, as the case may be) pursuant to the Plan, without any further notice to or action, order, or approval of the Bankruptcy Court.

Except as provided herein or otherwise agreed, any and all Proofs of Claim filed after the Claims Bar Date shall be deemed disallowed and expunged as of the Effective Date without any further notice to or action, order, or approval of the Bankruptcy Court, and Holders of such Claims may not receive any distributions on account of such Claims, unless on or before the Confirmation Hearing such late Claim has been deemed timely filed by a Final Order.

G. No Distribution Pending Allowance

If an objection to a Claim or portion thereof is filed as set forth in Article VII.E, no payment or distribution provided under the Plan shall be made on account of such Claim or portion thereof unless and until such Disputed Claim becomes an Allowed Claim.

H. Distribution After Allowance

To the extent that a Disputed Claim ultimately becomes an Allowed Claim, distributions (if any) shall be made to the Holder of such Allowed Claim in accordance with the provisions of the Plan. As soon as practicable after the date that the order or judgment of the Bankruptcy Court allowing any Disputed Claim becomes a Final Order, the Distribution Agent shall provide to the Holder of such Claim the distribution (if any) to which such Holder is entitled under the Plan as of the Effective Date, without any interest, dividends, or accruals to be paid on account of such Claim unless required under applicable bankruptcy law.

ARTICLE VIII.

CONDITIONS PRECEDENT TO CONFIRMATION AND CONSUMMATION OF THE PLAN

A. Conditions Precedent to the Confirmation of the Plan

The following shall be satisfied or waived as conditions precedent to the Confirmation of the Plan:

1. The Plan must be, in form and substance, reasonably acceptable to the Debtors and the Requisite Lender Plan Support Parties.

2. The Plan Supplement documents must be, in form and substance, reasonably acceptable to the Debtors and the Requisite Lender Plan Support Parties.

3. The proposed form of order confirming the Plan shall be, in form and substance, reasonably acceptable to the Debtors and the Requisite Lender Plan Support Parties.

B. Conditions Precedent to Effective Date

The following shall be satisfied or waived as conditions precedent to the Effective Date:

1. The Bankruptcy Court shall have approved the Disclosure Statement as containing adequate information with respect to the Plan within the meaning of Bankruptcy Code section 1125.

2. The Confirmation Order shall have been entered and become a Final Order. The Confirmation Order shall provide that, among other things, the Debtors or the Reorganized Debtors, as appropriate, are authorized and directed to take all actions necessary or appropriate to consummate the Plan, including, without limitation, entering into, implementing, and consummating the contracts, instruments, releases, leases, indentures, and other agreements or documents created in connection with or described in the Plan.

3. The Definitive Documents must be, in form and substance, reasonably acceptable to the Debtors and the Requisite Lender Plan Support Parties. Modifications that impact the treatment of the General Unsecured Claims and/or release provisions must be, in form and substance, reasonable acceptable to the Creditors' Committee.

4. All documents and agreements, including in respect of the New First Lien Facility and New Second Lien Facility, necessary to implement the Plan, shall have (a) been tendered for delivery and (b) been effected or executed. All conditions precedent to the effectiveness of such documents and agreements shall have been satisfied or waived pursuant to the terms of such documents or agreements.

5. All actions, documents, certificates, and agreements necessary to implement this Plan shall have been effected or executed and delivered to the required parties and, to the extent required, filed with the applicable Governmental Units in accordance with applicable laws.

6. The Professional Fee Escrow Account shall have been established and funded.

7. The Liquidating Trust Agreement has been executed and the Liquidating Trust Assets transferred to the Liquidating Trust.

8. To the extent necessary, an order in the Canadian Proceedings shall have been obtained, in form and substance reasonably satisfactory to the Debtors and the Canadian Debtors, permitting the treatment of the Intercompany Claims set out herein with respect to the Canadian Debtors.

C. Waiver of Conditions

The conditions to Confirmation and to Consummation set forth in this Article VIII may be waived by the Debtors, with the consent of the Requisite Lender Plan Support Parties and the Creditors' Committee, without notice to parties in interest and without any further notice, leave, or order of the Bankruptcy Court or any formal action other than proceeding to confirm or consummate the Plan; provided, however, that the condition set forth in section B-8 in this Article VIII shall not be waived without the consent of the Canadian Debtors unless the Intercompany Claim with respect to the Canadian Debtors is not affected by the Plan.

D. Substantial Consummation

"Substantial Consummation" of the Plan, as defined in 11 U.S.C. § 1101(2), shall be deemed to occur on the Effective Date.

E. Effect of Non Occurrence of Conditions to the Effective Date

If the Effective Date does not occur or if the Plan is withdrawn (or deemed withdrawn), the Plan shall be null and void in all respects and any settlement or compromise not previously approved by Final Order of the Bankruptcy Court embodied in the Plan (including the fixing or limiting to an amount certain any Claim or Equity Interest or Class of Claims or Equity Interests), assumption or rejection of executory contracts or leases effected by the Plan and any document or agreement executed pursuant hereto, shall be deemed null and void. Prior to the Effective Date of the Plan, nothing contained in the Plan or the Disclosure Statement shall: (1) constitute a waiver or release of any claims by or Claims against or Equity Interests in the Debtors; (2) prejudice in any manner the rights of the Debtors, any Holders, or any other Entity; or (3) constitute an admission, acknowledgment, offer, or undertaking by the Debtors, any Holders, or any other Entity in any respect.

ARTICLE IX.

SETTLEMENT, RELEASE, INJUNCTION, AND RELATED PROVISIONS

A. Compromise and Settlement

Pursuant to Bankruptcy Code section 363 and Bankruptcy Rule 9019 and in consideration for the distributions and other benefits provided pursuant to the Plan, the provisions of the Plan, including the releases set forth in this Article IX, shall constitute a good faith compromise of all Claims, Interests, and controversies relating to the contractual, legal, and subordination rights that a Holder of a Claim may have with respect to any Allowed Claim or Interest, or any distribution to be made on account of such Allowed Claim or Interest. The entry of the Confirmation Order shall constitute the Bankruptcy Court's approval of the compromise or settlement of all such Claims, Interests, and controversies, as well as a finding by the Bankruptcy Court that such compromise or settlement is in the best interests of the Debtors, their Estates, and Holders of Claims and Equity Interests and is fair, equitable, and reasonable. In accordance with the provisions of the Plan, pursuant to Bankruptcy Code section 363 and Bankruptcy Rule 9019(a), without any further notice to or action, order, or approval of the Bankruptcy Court, after the

Effective Date, the Reorganized Debtors may compromise and settle Claims against them and Causes of Action against other Entities.

B. Subordinated Claims

The allowance, classification, and treatment of all Allowed Claims and Equity Interests and the respective distributions and treatments under the Plan take into account and conform to the relative priority and rights of the Claims and Equity Interests in each Class in connection with any contractual, legal, and equitable subordination rights relating thereto, whether arising under general principles of equitable subordination, Bankruptcy Code section 510(b), or otherwise. Pursuant to Bankruptcy Code section 510, the Reorganized Debtors reserve the right to re-classify any Allowed Claim or Interest in accordance with any contractual, legal or equitable subordination relating thereto.

C. Discharge of Claims and Termination of Equity Interests

Pursuant to and to the fullest extent permitted by Bankruptcy Code section 1141(d), and except as otherwise specifically provided in the Plan, the distributions, rights and treatment that are provided in the Plan shall be in full and final satisfaction, settlement, release and discharge, effective as of the Effective Date, of all Claims (including any Intercompany Claims resolved or compromised after the Effective Date by the Reorganized Debtors), Equity Interests, and Causes of Action of any nature whatsoever, including any interest accrued on Claims or Equity Interests from and after the Petition Date, whether known or unknown, against, liabilities of, liens on, obligations of, rights against, and Equity Interests in, the Debtors, the Reorganized Debtors, or any of their assets or properties, regardless of whether any property shall have been distributed or retained pursuant to the Plan on account of such Claims and Equity Interests, including demands, liabilities, and Causes of Action that arose before the Effective Date, any liability (including withdrawal liability) to the extent such Claims or Equity Interests relate to services performed by current or former employees of the Debtors prior to the Effective Date and arise from a termination of employment or a termination of any employee or retiree benefit program regardless of whether such termination occurred prior to or after the Effective Date, any contingent or non-contingent liability on account of representations or warranties issued on or before the Effective Date, and all debts of the kind specified in sections 502(g), 502(h), or 502(i) of the Bankruptcy Code, in each case whether or not: (1) a Proof of Claim or Interest based upon such Claim, debt, right, or Interest is filed or deemed filed pursuant to section 501 of the Bankruptcy Code; (2) a Claim or Interest based upon such Claim, debt, right, or Interest is Allowed pursuant to section 502 of the Bankruptcy Code; or (3) the Holder of such a Claim or Interest has accepted the Plan. Except as otherwise provided herein, any default by the Debtors or their Affiliates with respect to any Claim or Interest that existed immediately prior to or on account of the filing of the Chapter 11 Cases shall be deemed cured on the Effective Date. The Confirmation Order shall be a judicial determination of the discharge of all Claims and Equity Interests subject to the occurrence of the Effective Date.

D. Release of Liens

Except as otherwise provided in the Plan or in any contract, instrument, release, or other agreement or document entered into or delivered in connection with the Plan, on the Effective Date

and concurrently with the applicable distributions made pursuant to Article III hereof and, in the case of a Secured Claim, satisfaction in full of the portion of the Secured Claim that is Allowed as of the Effective Date, all mortgages, deeds of trust, liens, pledges, or other security interests against any property of the Estates shall be fully released and discharged, and all of the right, title, and interest of any Holder of such mortgages, deeds of trust, liens, pledges, or other security interests shall revert to the Reorganized Debtors and their successors and assigns.

E. Debtor Release

Pursuant to Bankruptcy Code section 1123(b), and except as otherwise specifically provided in the Plan, for good and valuable consideration, including the service of the Released Parties in facilitating the expeditious reorganization of the Debtors and the implementation of the restructuring contemplated by the Plan, effective as of the Effective Date, the Debtors, the Reorganized Debtors, and any Person seeking to exercise the rights of the Estates, including, without limitation, any successor to the Debtors or any estate representative appointed or selected pursuant to Bankruptcy Code section 1123(b)(3) shall be deemed to forever release, waive, and discharge the Released Parties of any and all claims, obligations, rights, suits, damages, Causes of Action, remedies, and liabilities whatsoever, including any derivative claims asserted on behalf of the Debtors, whether known or unknown, foreseen or unforeseen, liquidated or unliquidated, contingent or fixed, existing or hereafter arising, in law, at equity or otherwise, whether for tort, contract, violations of federal or state securities laws or otherwise, including, without limitation, those that any of the Debtors, the Reorganized Debtors, the Estates, or their Affiliates would have been legally entitled to assert in their own right (whether individually or collectively) or on behalf of the Holder of any claim or Equity Interest, based on or relating to, or in any manner arising from, in whole or in part, the Debtors, the Estates, the conduct of the Debtors' businesses, the Chapter 11 Cases, the Canadian Proceedings, the purchase, sale, or rescission or the purchase or sale of any security of the Debtors or the Reorganized Debtors, the subject matter of, or the transactions or events giving rise to, any Claim or Equity Interest that is treated in the Plan, the business or contractual arrangements between any of the Debtors and any Released Party, the restructuring of claims and Equity Interests prior to or in the Chapter 11 Cases, the negotiation, formulation, or preparation of the Plan, the Disclosure Statement, or related agreements, instruments, or other documents, or upon any other act or omission, transaction, or occurrence relating to the foregoing taking place on or before the Effective Date of the Plan.

Notwithstanding anything to the contrary herein, the "Debtor Release" shall not operate to waive or release any claim, obligation, right, suit, damage, Cause of Action, remedy, or liability, of or owed to any Debtor: (1) arising under the Plan and any contract, instrument, agreement, release, or document delivered pursuant to the Plan or (2) against Aero AG Holdings, LLC (i) for services provided by any Debtor to Aero AG Holdings, LLC or expenses incurred by any Debtor on behalf of Aero AG Holdings, LLC or (ii) related to the Martha Stewart License Agreement.

The parties acknowledge that the compromise and release of direct and estate causes of action against the Released Parties under the Plan results in the distributions available to unsecured creditors.

Any claims or causes of action to avoid a transfer of property or an obligation incurred by the Debtors arising under chapter 5 of the Bankruptcy Code, including sections 544, 545, 547, 548, 549, 551, and 553(b) of the Bankruptcy Code, shall be retained by the Reorganized Debtors except as provided in Article VI.B or to the extent expressly released under the Plan.

Entry of the Confirmation Order shall constitute the Bankruptcy Court's approval, pursuant to Bankruptcy Rule 9019, of the Debtor Release, which includes by reference each of the related provisions and definitions contained herein, *and further*, shall constitute the Bankruptcy Court's finding that the Debtor Release is: (1) in exchange for the good and valuable consideration provided by the Released Parties; (2) a good faith settlement and compromise of the claims released by the Debtor Release; (3) in the best interests of the Debtors and all Holders of Claims and Equity Interests; (4) fair, equitable and reasonable; (5) given and made after reasonable investigation by the Debtors and after notice and opportunity for hearing; and (6) a bar to any of the Debtors or the Reorganized Debtors asserting any claim released by the Debtor Release against any of the Released Parties.

Notwithstanding the above, the Liquidating Trust may assert any Claim or defense of any Debtor or Reorganized Debtor whether or not such claim or defense is otherwise waived or released above as a defense or counterclaim against any General Unsecured Claim, solely to the extent such Claim or defense relates to such General Unsecured Claim; provided, however, that the Liquidating Trust may only assert such Claim or defense defensively to reduce such General Unsecured Claim and may not seek an affirmative recovery against such Holder of a General Unsecured Claim on account of such Claim or defense.

No provision herein shall limit the rights of Aero AG Holdings, LLC to interpose any Claim it has against the Debtors, or any of them, as a defense, to the extent applicable, to any claim asserted by the Debtors or Reorganized Debtors, or any of them, against Aero AG Holdings, LLC, including without limitation under theories of setoff or recoupment.

F. Third-Party Release

Except as otherwise specifically provided in the Plan, for good and valuable consideration, including the service of the Released Parties in facilitating the expeditious reorganization of the Debtors and the implementation of the restructuring contemplated by the Plan, effective as of the Effective Date, the Releasing Parties (regardless of whether a Releasing Party is a Released Party) shall be deemed to forever release, waive, and discharge the Released Parties of any and all claims, obligations, rights, suits, damages, Causes of Action, remedies, and liabilities whatsoever, including any derivative claims asserted on behalf of a Debtor, whether known or unknown, foreseen or unforeseen, liquidated or unliquidated, contingent or fixed, existing or hereafter arising, in law, at equity, or otherwise, whether for tort, contract, violations of federal or state securities laws or otherwise, including, without limitation, those that any of the Debtors, the Reorganized Debtors, the Estates, or their Affiliates would have been legally entitled to assert in their own right (whether individually or collectively) or on behalf of the Holder of any Claim or Equity Interest, based on or relating to, or in any manner arising from, in whole or in part, the

Debtors, the Estates, the conduct of the Debtors' businesses, the Chapter 11 Cases, the Canadian Proceedings, the purchase, sale, or rescission or the purchase or sale of any security of the Debtors or the Reorganized Debtors, the subject matter of, or the transactions or events giving rise to, any Claim or Equity Interest that is treated in the Plan, the business or contractual arrangements between any of the Debtors and any Released Party, the restructuring of Claims and Equity Interests prior to or in the Chapter 11 Cases, the negotiation, formulation, or preparation of the Plan, the Disclosure Statement, or related agreements, instruments, or other documents, or upon any other act or omission, transaction, or occurrence relating to the foregoing taking place on or before the Effective Date of the Plan.

Notwithstanding anything contained herein to the contrary, the foregoing release does not release any post-Effective Date obligations of any party under the CA Credit Agreement and related loan documents, the Plan or any document, instrument, or agreement executed to implement the Plan.

For the avoidance of doubt, and notwithstanding anything to the contrary herein, the Third-Party Release includes a release of the Released Parties of any claim or Cause of Action. The consideration provided by the Released Parties are in settlement of any and all potential claims, Causes of Action, or liabilities against any of the Released Parties arising out of or relating to any act or omission, transaction, or occurrence relating to the Debtors or the Estates taking place on or before the Effective Date of the Plan.

The parties acknowledge that the compromise and release of direct and estate causes of action against the Released Parties under the Plan results in the distributions available to unsecured creditors.

Any claims or causes of action to avoid a transfer of property or an obligation incurred by the Debtors arising under chapter 5 of the Bankruptcy Code, including sections 544, 545, 547, 548, 549, 551, and 553(b) of the Bankruptcy Code, shall be retained by the Reorganized Debtors except to the extent expressly released under the Plan.

Entry of the Confirmation Order shall constitute the Bankruptcy Court's approval, pursuant to Bankruptcy Rule 9019, of the Third-Party Release, which includes by reference each of the related provisions and definitions contained herein, *and further*, shall constitute the Bankruptcy Court's finding that the Third-Party Release is: (1) in exchange for the good and valuable consideration provided by the Released Parties; (2) a good faith settlement and compromise of the claims released by the Releasing Parties; (3) in the best interests of the Debtors and all Holders of Claims and Equity Interests; (4) fair, equitable and reasonable; (5) given and made after notice and opportunity for hearing; and (6) a bar to any of the Releasing Parties asserting any Claim released by the Third-Party Release against any of the Released Parties.

G. Exculpation

Upon and effective as of the Effective Date, the Debtors and their directors, officers, employees, attorneys, investment bankers, financial advisors, restructuring consultants, and

other professional advisors and agents will be deemed to have solicited acceptances of this Plan in good faith and in compliance with the applicable provisions of the Bankruptcy Code, including Bankruptcy Code section 1125(e).

Except with respect to any acts or omissions expressly set forth in and preserved by the Plan or related documents, the Exculpated Parties shall neither have nor incur any liability to any Entity for any prepetition or postpetition act taken or omitted to be taken in connection with, or arising from or relating in any way to, the Chapter 11 Cases or the Canadian Proceedings, including, without limitation, the operation of the Debtors' businesses during the pendency of these Chapter 11 Cases; formulating, negotiating, preparing, disseminating, implementing, and/or effecting the DIP Documents, the Disclosure Statement, and the Plan; the solicitation of votes for the Plan and the pursuit of Confirmation and Consummation of the Plan; the administration of the Plan and/or the property to be distributed under the Plan; the offer and issuance of any securities under the Plan; and/or any other prepetition or postpetition act taken or omitted to be taken in connection with or in contemplation of the restructuring of the Debtors. In all respects, each Exculpated Party shall be entitled to rely upon the advice of counsel concerning his, her, or its respective duties under, pursuant to, or in connection with the Plan.

H. Injunction

The satisfaction, release, and discharge pursuant to this Article IX of the Plan shall also act as an injunction against any Person commencing or continuing any action, employment of process or act to collect, offset, or recover any claim or Cause of Action satisfied, released, or discharged under the Plan or the Confirmation Order to the fullest extent authorized or provided by the Bankruptcy Code, including, without limitation, to the extent provided for or authorized by sections 524 and 1141 thereof.

ARTICLE X.

RETENTION OF JURISDICTION

Notwithstanding the entry of the Confirmation Order and the occurrence of the Effective Date, the Bankruptcy Court shall retain exclusive jurisdiction over all matters arising out of, or related to, the Chapter 11 Cases¹⁰ and the Plan pursuant to Bankruptcy Code sections 105(a) and 1142, including jurisdiction to:

1. Allow, disallow, determine, liquidate, classify, estimate, or establish the priority, secured or unsecured status, or amount of any Claim or Interest, including the resolution of any request for payment of any Administrative Claim and the resolution of any and all objections to the Secured or unsecured status, priority, amount, or allowance of Claims or Equity Interests;

¹⁰ For the avoidance of doubt, this provision excludes the Canadian Debtors.

2. Decide and resolve all matters related to the granting and denying, in whole or in part, any applications for allowance of compensation or reimbursement of expenses to Retained Professionals authorized pursuant to the Bankruptcy Code or the Plan;
3. Resolve any matters related to: (a) the assumption, assumption and assignment, or rejection of any Executory Contract or Unexpired Lease to which a Debtor is party or with respect to which a Debtor may be liable and to hear, determine, and, if necessary, liquidate, any Cure or Claims arising therefrom, including Cure or Claims pursuant to section 365 of the Bankruptcy Code; (b) any potential contractual obligation under any Executory Contract or Unexpired Lease that is assumed; and (c) any dispute regarding whether a contract or lease is or was executory or expired;
4. Ensure that distributions to Holders of Allowed Claims and Equity Interests are accomplished pursuant to the provisions of the Plan;
5. Adjudicate, decide, or resolve any motions, adversary proceedings, contested or litigated matters, and any other matters, and grant or deny any applications involving a Debtor that may be pending on the Effective Date;
6. Adjudicate, decide, or resolve any and all matters related to Causes of Action;
7. Adjudicate, decide, or resolve any and all matters related to section 1141 of the Bankruptcy Code;
8. Enter and implement such orders as may be necessary or appropriate to execute, implement, or consummate the provisions of the Plan and all contracts, instruments, releases, indentures, and other agreements or documents created in connection with the Plan or the Disclosure Statement;
9. Enter and enforce any order for the sale of property pursuant to sections 363, 1123, or 1146(a) of the Bankruptcy Code;
10. Resolve any cases, controversies, suits, disputes, or Causes of Action that may arise in connection with the interpretation or enforcement of the Plan or any Entity's obligations incurred in connection with the Plan;
11. Issue injunctions, enter and implement other orders, or take such other actions as may be necessary or appropriate to restrain interference by any Entity with enforcement of the Plan;
12. Resolve any cases, controversies, suits, disputes, or Causes of Action with respect to the releases, injunctions, and other provisions contained in the Plan and enter such orders as may be necessary or appropriate to implement such releases, injunctions, and other provisions;
13. Resolve any cases, controversies, suits, disputes, or Causes of Action with respect to the repayment or return of distributions and the recovery of additional amounts owed by the Holder of a Claim or Equity Interest for amounts not timely repaid;

14. Enter and implement such orders as are necessary or appropriate if the Confirmation Order is for any reason modified, stayed, reversed, revoked, or vacated;
15. Determine any other matters that may arise in connection with or relate to the Plan, the Disclosure Statement, the Confirmation Order, or any contract, instrument, release, indenture, or other agreement or document created in connection with the Plan or the Disclosure Statement;
16. Enter an order or final decree concluding or closing the Chapter 11 Cases;
17. Adjudicate any and all disputes arising from or relating to distributions under the Plan;
18. Consider any modifications of the Plan, to cure any defect or omission, or to reconcile any inconsistency in any Bankruptcy Court order, including the Confirmation Order;
19. Determine requests for the payment of Claims and Equity Interests entitled to priority pursuant to Bankruptcy Code section 507;
20. Hear and determine disputes arising in connection with the interpretation, implementation, or enforcement of the Plan or any Entity's obligations incurred in connection with the Plan, or the Confirmation Order, including disputes arising under agreements, documents, or instruments executed in connection with the Plan;
21. Hear and determine matters concerning state, local, and federal taxes in accordance with Bankruptcy Code sections 346, 505 and 1146;
22. Hear and determine all disputes involving the existence, nature, or scope of the Debtors' discharge, including any dispute relating to any liability arising out of the termination of employment or the termination of any employee or retiree benefit program, regardless of whether such termination occurred prior to or after the Effective Date;
23. Hear and determine any matters concerning the Liquidating Trust and the Liquidating Trust Agreement.
24. Enforce all orders previously entered by the Bankruptcy Court; and
25. Hear any other matter not inconsistent with the Bankruptcy Code.

ARTICLE XI.

MODIFICATION, REVOCATION AND WITHDRAWAL OF THE PLAN

A. Modification of Plan

Subject to the limitations contained in the Plan: (1) the Debtors reserve the right, with the consent of the Requisite Lender Plan Support Parties and the Creditors' Committee, and in accordance with the Bankruptcy Code and the Bankruptcy Rules, to amend or modify the Plan prior to the entry of the Confirmation Order, including amendments or modifications to satisfy

Bankruptcy Code section 1129(b); and (2) after the entry of the Confirmation Order, the Debtors or the Reorganized Debtors, as the case may be, may, upon the order of the Bankruptcy Court, amend or modify the Plan, in accordance with Bankruptcy Code section 1127(b), or remedy any defect or omission or reconcile any inconsistency in the Plan in such manner as may be necessary to carry out the purpose and intent of the Plan.

B. Effect of Confirmation on Modifications

Entry of a Confirmation Order shall mean that all modifications or amendments to the Plan since the solicitation thereof are approved pursuant to Bankruptcy Code section 1127(a) and do not require additional disclosure or resolicitation under Bankruptcy Rule 3019.

ARTICLE XII.

MISCELLANEOUS PROVISIONS

A. Immediate Binding Effect

Notwithstanding Bankruptcy Rules 3020(e), 6004(g), or 7062 or otherwise, upon the occurrence of the Effective Date, the terms of the Plan shall be immediately effective and enforceable and deemed binding upon the Debtors, the Reorganized Debtors, and any and all Holders of Claims or Equity Interests (irrespective of whether Holders of such Claims or Equity Interests are deemed to have accepted the Plan), all Entities that are parties to or are subject to the settlements, compromises, releases, discharges, and injunctions described in the Plan, each Entity acquiring property under the Plan, and any and all non-Debtor parties to Executory Contracts and Unexpired Leases with the Debtors.

B. Additional Documents

On or before the Effective Date, the Debtors may file with the Bankruptcy Court such agreements and other documents as may be necessary or appropriate to effectuate and further evidence the terms and conditions of the Plan. The Debtors or Reorganized Debtors, as applicable, and all Holders of Claims or Equity Interests receiving distributions pursuant to the Plan and all other parties in interest shall, from time to time, prepare, execute, and deliver any agreements or documents and take any other actions as may be necessary or advisable to effectuate the provisions and intent of the Plan.

C. Reservation of Rights

Except as expressly set forth herein, the Plan shall have no force or effect unless and until the Bankruptcy Court enters the Confirmation Order. Neither the filing of the Plan, any statement or provision contained herein, nor the taking of any action by a Debtor or any other Entity with respect to the Plan shall be or shall be deemed to be an admission or waiver of any rights of: (1) any Debtor with respect to the Holders of Claims or Equity Interests or other Entity; or (2) any Holder of a Claim or an Equity Interest or other Entity prior to the Effective Date.

D. Successors and Assigns

The rights, benefits, and obligations of any Entity named or referred to herein shall be binding on, and shall inure to the benefit of, any heir, executor, administrator, successor, or assign of such Entity.

E. Service of Documents

After the Effective Date, the Debtors are authorized to limit the list of Entities receiving documents pursuant to Bankruptcy Rule 2002 to those Entities who have filed renewed requests for service.

In accordance with Bankruptcy Rules 2002 and 3020(c), within ten (10) Business Days of the date of entry of the Confirmation Order, the Debtors shall serve a notice of Confirmation by United States mail, first class postage prepaid, by hand, or by overnight courier service to all parties served with notice of the Confirmation Hearing; provided, however, that no notice or service of any kind shall be required to be mailed or made upon any Entity to whom the Debtors served the notice of the Confirmation Hearing, but received such notice returned marked “undeliverable as addressed,” “moved, left no forwarding address” or “forwarding order expired,” or similar reason, unless the Debtors have been informed in writing by such Entity, or are otherwise aware, of that Entity’s new address.

To supplement the notice described in the preceding sentence, within twenty (20) days prior to the date of the Confirmation Hearing, the Debtors shall publish notice of the Confirmation Hearing on one occasion in the national editions of *The New York Times*. Mailing and publication of the notice of the Confirmation Hearing in the time and manner set forth in the this paragraph shall be good and sufficient notice under the particular circumstances and in accordance with the requirements of Bankruptcy Rules 2002 and 3020(c), and no further notice is necessary.

F. Term of Injunctions or Stays

Unless otherwise provided in the Plan or in the Confirmation Order, all injunctions or stays in effect in the Chapter 11 Cases pursuant to Bankruptcy Code sections 105 or 362 or any order of the Bankruptcy Court, and extant on the Confirmation Date (excluding any injunctions or stays contained in the Plan or the Confirmation Order) shall remain in full force and effect until the Effective Date. All injunctions or stays contained in the Plan or the Confirmation Order shall remain in full force and effect in accordance with their terms.

G. Entire Agreement

On the Effective Date, the Plan supersedes all previous and contemporaneous negotiations, promises, covenants, agreements, understandings, and representations on such subjects, all of which have become merged and integrated into the Plan.

H. Governing Law

Unless a rule of law or procedure is supplied by federal law (including the Bankruptcy Code and Bankruptcy Rules) or unless otherwise specifically stated, the laws of the State of

Delaware, without giving effect to the principles of conflict of laws, shall govern the rights, obligations, construction, and implementation of the Plan, any agreements, documents, instruments, or contracts executed or entered into in connection with the Plan (except as otherwise set forth in those agreements, in which case the governing law of such agreement shall control), and corporate governance matters; provided, however, that corporate governance matters relating to the Debtors or Reorganized Debtors, as applicable, not incorporated or organized in Delaware shall be governed by the laws of the place of incorporation or organization of the applicable Debtor or Reorganized Debtor, as applicable.

I. Exhibits

All exhibits and documents are incorporated into and are a part of the Plan as if set forth in full in the Plan. After the exhibits and documents are filed, copies of such exhibits and documents shall have been available upon written request to the Debtors' counsel at the address above or by downloading such exhibits and documents from the Debtors' private website at <https://cases.primeclerk.com/pss> or the Bankruptcy Court's website at www.moeb.uscourts.gov. To the extent any exhibit or document is inconsistent with the terms of the Plan, unless otherwise ordered by the Bankruptcy Court, the non-exhibit or non-document portion of the Plan shall control.

J. Nonseverability of Plan Provisions Upon Confirmation

If, prior to Confirmation, any term or provision of the Plan is held by the Bankruptcy Court to be invalid, void, or unenforceable, the Bankruptcy Court shall have the power to alter and interpret such term or provision to make it valid or enforceable to the maximum extent practicable, consistent with the original purpose of the term or provision held to be invalid, void, or unenforceable, and such term or provision shall then be applicable as altered or interpreted. Notwithstanding any such holding, alteration, or interpretation, the remainder of the terms and provisions of the Plan will remain in full force and effect and will in no way be affected, impaired, or invalidated by such holding, alteration, or interpretation. The Confirmation Order shall constitute a judicial determination and shall provide that each term and provision of the Plan, as it may have been altered or interpreted in accordance with the foregoing, is: (1) valid and enforceable pursuant to its terms; (2) integral to the Plan and may not be deleted or modified without the consent of the Debtors; and (3) nonseverable and mutually dependent.

K. Closing of Chapter 11 Cases

The Reorganized Debtors shall, promptly after the full administration of a Chapter 11 Case, file with the Bankruptcy Court all documents required by Bankruptcy Rule 3022 and any applicable order of the Bankruptcy Court to close such Chapter 11 Case.

L. Conflicts

Except as set forth in the Plan, to the extent that any provision of the Disclosure Statement, or any other order (other than the Confirmation Order) referenced in the Plan (or any exhibits, appendices, supplements, or amendments to any of the foregoing), conflict with or are in any way inconsistent with any provision of the Plan, the Plan shall govern and control.

M. Dissolution of Creditors' Committee

The Creditors' Committee shall dissolve, and the members thereof shall be released and discharged from all rights and duties arising from, or related to, the Chapter 11 Cases on the Effective Date; provided, that the Creditors' Committee shall be deemed to remain in existence solely with respect to, and shall not be heard on any issue except, applications filed by the Retained Professionals pursuant to Bankruptcy Code sections 330 and 331.

N. Section 1125(e) Good Faith Compliance

The Debtors, Reorganized Debtors, the Special Committee, and each of their respective representatives, shall be deemed to have acted in "good faith" under Bankruptcy Code section 1125(e).

O. Further Assurances

The Debtors, Reorganized Debtors, all Holders of Claims receiving distributions hereunder, and all other parties-in-interest shall, from time to time, prepare, execute, and deliver any agreements or documents and take any other actions as may be necessary or advisable to effectuate the provisions and intent of the Plan or the Confirmation Order.

P. No Stay of Confirmation Order

The Confirmation Order shall contain a waiver of any stay of enforcement otherwise applicable, including pursuant to Bankruptcy Rules 3020(e) and 7062.

Q. Waiver or Estoppel

Each Holder of a Claim or an Interest shall be deemed to have waived any right to assert any argument, including the right to argue that its Claim or Interest should be Allowed in a certain amount, in a certain priority, secured, or not subordinated by virtue of an agreement made with the Debtors or their counsel, or any other Entity, if such agreement was not disclosed in the Plan, the Disclosure Statement, or papers filed with the Bankruptcy Court prior to the Confirmation Date.

Respectfully submitted,

Date: September 16, 2019

By: Stephen Marotta
Name: Stephen Marotta
Title: Chief Restructuring Officer, Payless
Holdings LLC

Schedule 1

DEBTOR	TAX I.D. NUMBER
Payless Holdings, LLC	80-0855704
Payless Intermediate Holdings LLC	46-1125190
WBG-PSS Holdings LLC	45-5170673
Payless Inc.	43-1813160
Payless Finance, Inc.	43-1622101
Collective Brands Services, Inc.	48-1227266
PSS Delaware Company 4, Inc.	48-1221466
Shoe Sourcing, Inc.	48-1234075
Payless ShoeSource, Inc.	48-0674097
Eastborough Inc.	48-1212803
Payless Purchasing Services, Inc.	48-1253043
Payless ShoeSource Merchandising, Inc.	48-1140946
Payless Gold Value CO, Inc.	46-1103581
Payless ShoeSource Distribution, Inc.	48-1140944
Payless ShoeSource Worldwide, Inc.	43-1646884
Payless NYC, Inc.	48-1194126
Payless ShoeSource of Puerto Rico, Inc.	66-0479017
Payless Collective GP, LLC	82-1302940
Collective Licensing, L.P.	20-4231256
Collective Licensing International, LLC	05-0585451
Clinch, LLC	27-2429836
Collective Brands Franchising Services, LLC	26-3883636
Payless International Franchising, LLC	27-3686448
PSS Canada, Inc.	74-2834969
Collective Brands Logistics Limited	98-0546466
Payless Sourcing, LLC	35-2579725

Exhibit 1

Corporate Governance Term Sheet

Corporate Governance Term Sheet

<p>Term of Initial Board Members</p>	<p>No term limit</p>
<p>Board Designation Right/Election Rights</p>	<p>So long as the Alden Entities collectively continue to own at least 51% of the New Common Units that they owned as of the Effective Date, Alden shall have the right to designate one individual to the New Board and to designate a replacement director or fill a vacancy in Alden’s designated seat; provided, however, that if Alden ceases to have the right to designate an individual to the New Board and to designate a replacement director or fill a vacancy in Alden’s designated seat, then (a) upon the next closest anniversary of service of the director designated by Alden, the holders of a majority of the New Common Units shall elect a director to serve on the New Board and Alden’s New Board designee, if different than the elected New Board member, shall no longer serve as a New Board member, (b) if Alden’s director designee shall cease to serve on the New Board for any reason after such time, such vacancy shall be filled through an election by the holders of a majority of the New Common Units, and (c) any such new director elected pursuant to (a) and (b) above shall be independent and have no prior or current relationship with any of the remaining original designees.</p> <p>So long as the Axar Entities collectively continue to own at least 51% of the New Common Units that they owned as of the Effective Date, Axar shall have the right to designate one individual to the New Board and to designate a replacement director or fill a vacancy in Axar’s designated seat; provided, however, that if Axar ceases to have the right to designate an individual to the New Board and to designate a replacement director or fill a vacancy in Axar’s designated seat, then (a) upon the next closest anniversary of service of the director designated by Axar, the holders of a majority of the New Common Units shall elect a director to serve on the New Board and Axar’s New Board designee, if different than the elected New Board member, shall no longer serve as a New Board member, (b) if Axar’s director designee shall cease to serve on the New Board for any reason after such time, such vacancy shall be filled through an election by the holders of a majority of the New Common Units, and (c) any such new director elected pursuant to (a) and (b) above shall be independent and have no prior or current relationship with any of the remaining original designees.</p> <p>So long as Invesco and Octagon, together with their respective affiliates, collectively own at least 7.5% of the outstanding New Common Units (without regard to New Incentive Units or dilution following the Effective Date on account of additional equity issuances in which the Alden Entities or the Axar Entities do not participate), Invesco and Octagon shall jointly have the right to designate one individual to the New Board and to designate a replacement director or fill a vacancy in such parties’ designated seat; provided, however, that if either Invesco or Octagon ceases to hold any New Common Units (but the other party continues to satisfy the 7.5% ownership threshold above), the party that continues to hold New Common Units shall have the right to designate one individual to the New Board and to designate a replacement director or fill a vacancy in such parties’ designated seat; provided further, however, that if Invesco and Octagon cease to have the right to designate an individual to the New Board and to designate a replacement director or fill a vacancy in Invesco’s and Octagon’s designated seat and at such time the Alden Entities and the Axar Entities collectively hold less than 66.67% of the issued and outstanding New Common Units (immediately following</p>

any transaction which results in Invesco and Octagon ceasing to have such designation rights), then (a) upon the next closest anniversary of service of the director designated by Invesco and Octagon, the holders of a majority of the New Common Units shall elect a director to serve on the New Board and Invesco's and Octagon's New Board designee, if different than the elected New Board member, shall no longer serve as a New Board member, (b) if Invesco's and Octagon's director designee shall cease to serve on the New Board for any reason after such time, such vacancy shall be filled through an election by the holders of a majority of the New Common Units, and (c) any such new director elected pursuant to (a) and (b) above shall be independent and have no prior or current relationship with any of the remaining original designees; provided, further, that if the Alden Entities and the Axar Entities collectively hold 66.67% or more of the issued and outstanding New Common Units at such time (immediately following any transaction which results in Invesco and Octagon ceasing to have such designation rights), then Invesco's and Octagon's designee to the New Board shall be immediately eliminated and the New Board shall include only three directors. Notwithstanding the foregoing, if Invesco and Octagon cease to have the right to designate an individual to the New Board and to designate a replacement director or fill a vacancy in Invesco's and Octagon's designated seat and at such time (and as a result of the transfer of New Common Units by Invesco or Octagon) an unaffiliated third party holds (together with its affiliates) 20% or more of the outstanding New Common Units (without regard to New Incentive Units), such holder (together with its affiliates, the "New Designating Holder") shall thereafter have the New Board designation and replacement rights of Invesco and Octagon as set forth above for so long as the New Designating Holder continues to hold at least 20% of the outstanding New Common Units (without regard to New Incentive Units); provided, however, that in the event the New Designating Holder ceases to own 20% or more of the Outstanding New Common Units (without regard to New Incentive Units), the New Board designation and replacement rights of the New Designating Holder shall terminate and shall not transfer to any subsequent purchaser of New Common Units sold by the New Designating Holder.

So long as Octagon, together with its affiliates, continues to own at least 51% of the New Common Units that it owned as of the Effective Date, Octagon shall have New Board observation rights. So long as Invesco, together with its affiliates, continues to own at least 51% of the New Common Units that it owned as of the Effective Date, Invesco shall have New Board observation rights.

In the event of a vacancy by the Independent Director, such vacancy shall be filled through election by the holders of a majority of the New Common Units and such replacement director shall have industry experience, and shall be independent and have no prior or current relationship with any of the remaining original designees.

In the event Invesco and Octagon, together with their respective affiliates, cease to hold any New Common Units, the Independent Director's seat on the New Board shall be filled through annual election by the holders of a majority of the New Common Units, and such director shall have industry experience, and shall be independent and have no prior or current relationship with any of the remaining original designees.

Corporate Governance Term Sheet

<p>Tag, Drag and Preemptive Rights</p>	<p>Holders of 5% or more of the New Common Units as of the Effective Date, including any initial transferee who thereafter holds 5% or more of the New Common Units (“<u>Significant Holders</u>”), shall have customary tag rights on transfers by either the Alden Entities (and their transferees) or the Axar Entities (and their transferees) of 25% or more of the Alden Entities or the Axar Entities’ respective holdings of New Common Units in a single transaction. The tag rights of any Significant Holder shall be with respect to the percentage of its holdings equal to the percentage of the holdings of Alden or Axar that Alden or Axar seeks to transfer. A Significant Holder shall retain its right to these customary tag rights so long as such Significant Holder owns at least 51% of the New Common Units that it owned as of the Effective Date (or acquired following the Effective Date at which time in became the holder of 5% or more of the New Common Units).</p> <p>All holders of New Common Units shall have customary preemptive rights and other minority protections.</p> <p>In addition to the rights of certain members to compel a sale of Reorganized Payless as set forth below in the section titled “Compelled Sale of the Company”, customary drag rights shall apply to the sale in a single transaction of a majority of the New Common Units (which drag rights may be exercised in the first three years following the Effective Date by holders of at least 75% of the issued and outstanding New Common Units and following the third anniversary of the Effective Date by holders of a majority of the issued and outstanding New Common Units).</p>
<p>Transactions With Affiliates</p>	<p>Notwithstanding anything else herein, there shall be no transactions between the Reorganized Debtors, or any affiliate thereof, on the one hand, and any of Axar, Alden, Invesco, Octagon, or any affiliate thereof, on the other hand (an “<u>Affiliate Transaction</u>”) unless approved by all members of the New Board, excluding the New Board member designated by the applicable member (or its affiliate) that is party to the Affiliate Transaction. In addition, the New Board member designated by such applicable member shall be excluded from all deliberations on any such Affiliate Transaction.</p>
<p>ROFR</p>	<p>Each of Axar and Alden shall have a right of first refusal with respect to the sale of at least 25% of the New Common Units held by the Alden Entities or the Axar Entities, as applicable, on terms agreed to by each. The right of first refusal shall not apply to New Common Units owned by parties other than the Axar Entities or the Alden Entities.</p>
<p>Board Decisions</p>	<p>All decisions/actions of the Reorganized Debtors that are customarily approved by a board of directors, including, but not limited to, m&a transactions or other asset acquisitions or dispositions or change of control transactions, the incurrence of financing or other indebtedness, the raising of capital, the issuance of equity securities, changes in nature of business, the approval of operating budgets, the declaration of distributions or dividends, the selection, removal and compensation of officers, the selection of the CEO for the Reorganized Debtors, the selection of the CEO for the LatAm Business, the approval of and thereafter amendment of the Management Incentive Plan (including the size of the award pool thereunder), the implementation of any restructuring, the commencement, settlement or defense of legal actions, the entry into material contracts, the wind down, or the liquidation or entry into bankruptcy or consent to the appointment of a receiver shall require the</p>

Corporate Governance Term Sheet

	<p>approval of a majority of the members of the New Board. In addition to the foregoing approval of the New Board, the Plan Support Parties shall negotiate in good faith prior to the filing of a plan and disclosure statement regarding the following decisions and actions that, if approved by the New Board acting by less than unanimous consent, will require approval of holders of at least 75% of the issued and outstanding New Common Units: (i) the sale of the LatAm Business, (ii) the consummation by Reorganized Payless of a transaction resulting in a change of control of Reorganized Payless, (iii) the acquisition by Reorganized Payless of another entity or business, whether via merger, the acquisition of equity or the assets of such entity, which transaction has a purchase price in an amount greater than 25% of the equity value of Reorganized Payless at such time (prior to consummation of such transaction), (iv) the sale or disposition by Reorganized Payless of assets of Reorganized Payless outside of the ordinary course of business for a sale price greater than 25% of the equity value of Reorganized Payless at such time (prior to consummation of such sale or disposition), (v) a fundamental change to the nature of Reorganized Payless’s business, and (vi) the issuance of more than 20% of New Common Units (subject to certain customary issuance exceptions as apply to preemptive rights referenced above), provided, however that the foregoing approvals shall not apply to a compelled sale of Reorganized Payless as set forth below in the section titled “Compelled Sale of the Company”.</p> <p>For so long as the New Board is composed of four directors, to the extent a decision or action of the Reorganized Debtors is approved by two members of the New Board, and two members of the New Board oppose a decision or action, such decision or action may, at the request of the members of the New Board approving such action, be put to a vote of holders of issued and outstanding New Common Units, and if approved by holders of at least 90% of the issued and outstanding New Common Units, shall be deemed approved; provided that in the event Invesco and Octagon collectively cease to hold any New Common Units but the New Board continues to be comprised of four directors as set forth above, the foregoing reference to 90% shall be reduced to 75%.</p>
<p>Management of Reorganized Debtors</p>	<p>The New Operating Agreement will include customary exculpation and indemnification provisions for officers and directors. Each member of the New Board will also be party to a customary indemnification agreement with Reorganized Payless.</p>
<p>Fiduciary Duties</p>	<p>Members of the New Board (other than the Independent Director, and any other independent director following the Effective Date) shall have no fiduciary duties to the members of Reorganized Payless other than the duties of good faith and fair dealing.</p>
<p>Compelled Sale of the Company</p>	<p>After the third anniversary of the Effective Date, either Alden or Axar (so long as the Alden Entities and the Axar Entities, respectively, own at least 51% of the New Common Units that it owned as of the Effective Date) may compel the Reorganized Debtors to sell all of their remaining assets through a competitive process managed by independent third party financial advisors/investment bankers. After the fourth anniversary of the Effective Date, the holders of at least 25% of the New Common Units (without regard to New Inventive Units) may compel the Reorganized Debtors</p>

	<p>to sell all of their remaining assets through a competitive process managed by independent third party financial advisors/investment bankers.</p> <p>Axar, Alden, Invesco, and Octagon shall not have any right of first refusal or similar right to purchase any or all of the assets of the Reorganized Debtors, but may submit proposals to purchase such assets, provided, however, that if Axar, Alden, Invesco or Octagon participate in the sale process, such participant or participants shall be excluded from management of the process and will not have access to any advisors retained in connection with the process other than in its capacity as a bidding party. Any sale to Axar, Alden, Invesco, or Octagon will require the delivery of a fairness opinion by the third party financial advisor/investment bank retained to manage such sale.</p>
Information Rights/Reporting	<p>The New Operating Agreement shall provide for customary inspection rights to holders of at least 5% of outstanding New Common Units (without regard to New Incentive Units or dilution following the Effective Date on account of additional equity issuances in which the Alden Entities and the Axar Entities do not participate), and customary periodic reporting rights to all holders of New Common Units, provided, however, that no holder shall be entitled to any reporting or inspection rights if such holder or any of its affiliates is a competitor of Reorganized Payless.</p>
Amendments	<p>Unless otherwise required by law, the New Organizational Documents may be amended, and any provision may be waived, by approval of all members of the New Board, provided that any amendment to the New Organizational Documents that materially and adversely affects an individual member or group of members in a manner different from the members generally will require the consent of such member or group of members.</p>
Governing Law	<p>Delaware</p>
Other	<p>Other “corporate governance” terms not highlighted in this Schedule 2 shall be provided for in the New Operating Agreement on customary terms as agreed to by the Plan Support Parties.</p>

Exhibit B

Corporate Structure Chart

Payless Holdings LLC
Corporate Structure
March 12, 2019
(Payless Domestic and Canada)

NOTES:

1. This note deleted.
2. This note deleted.
3. Other entities owned by Payless ShoeSource Worldwide, Inc.
4. PSS Investment I, Inc. has one share in Payless Services, S.A. de C.V. and in Payless ShoeSource, S.A. de C.V.
5. 65% of the 75% of the equity held by Payless ShoeSource Inc. is pledged.
6. This note deleted.
7. Payless ShoeSource Canada GP Inc. General Partner – 0.1% Payless ShoeSource Canada Inc. Limited Partner – 99.9%
8. 2 shares owned by Payless Finance, Inc.
9. As of the Closing Date, 100% of the Payless Netherlands Holdings LLC equity was pledged, however Payless Netherlands Holdings LLC subsequently acquired a 0.1% interest in PSS Global Holding, C.V., which cause Payless Netherlands Holdings LLC to become a CFC Holdco. As such the equity interests in excess of 65% pledged by Payless ShoeSource Worldwide, Inc. became Excluded Property.
10. Payless ShoeSource Worldwide, Inc – Limited Partner – 99.99% and Payless Netherlands Holdings, Inc. – General Partner – 0.1%. After the closing date, Payless ShoeSource Worldwide, Inc. acquired a 99.9% equity interest in PSS Global Holding, C.V. 65% of Payless ShoeSource Worldwide, Inc.'s 99.9% interest in PSS Global Holding, C.V. is pledged under the Term Loan.

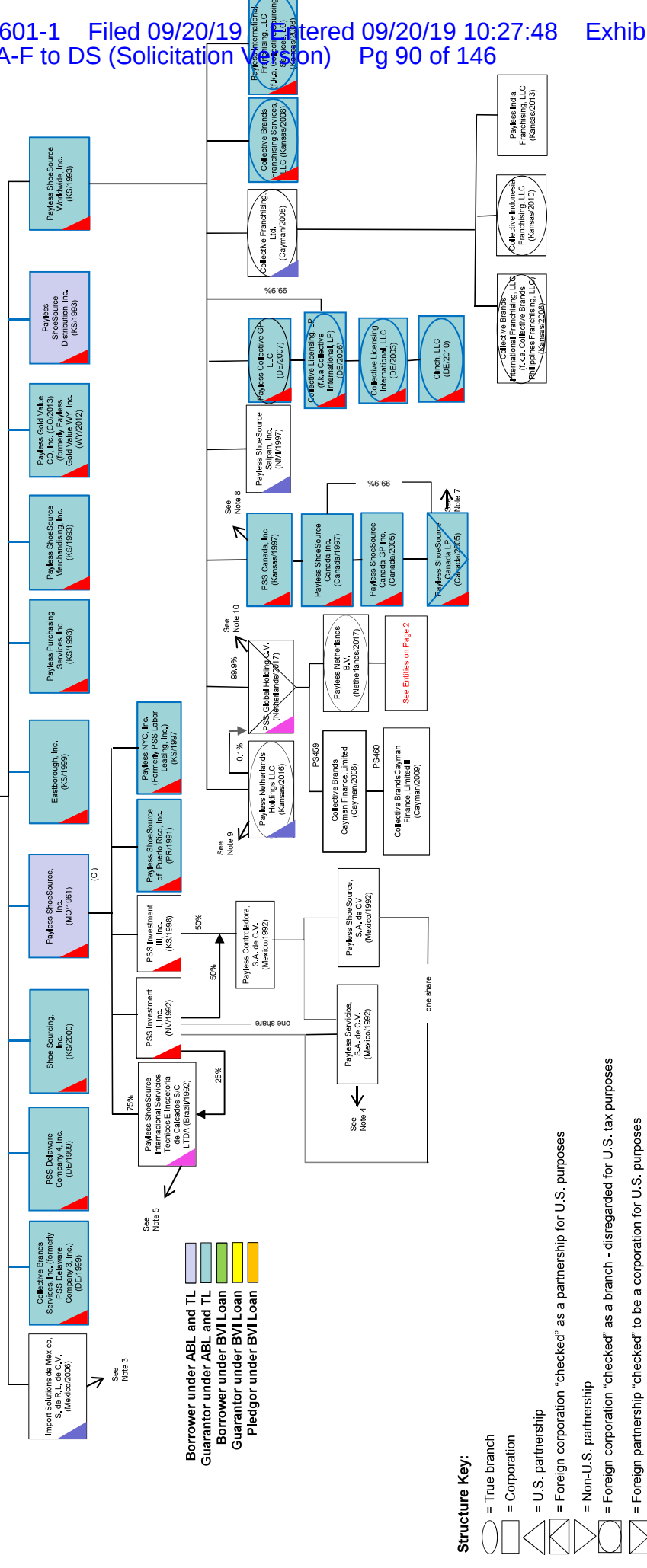
Other amount of Equity Pledged Under the Prepetition Term Loan

65% Equity Pledged Under the Prepetition Term Loan

100% Equity Pledged Under the Prepetition Term Loan

100% Equity Pledged Under the BVI Term Loan

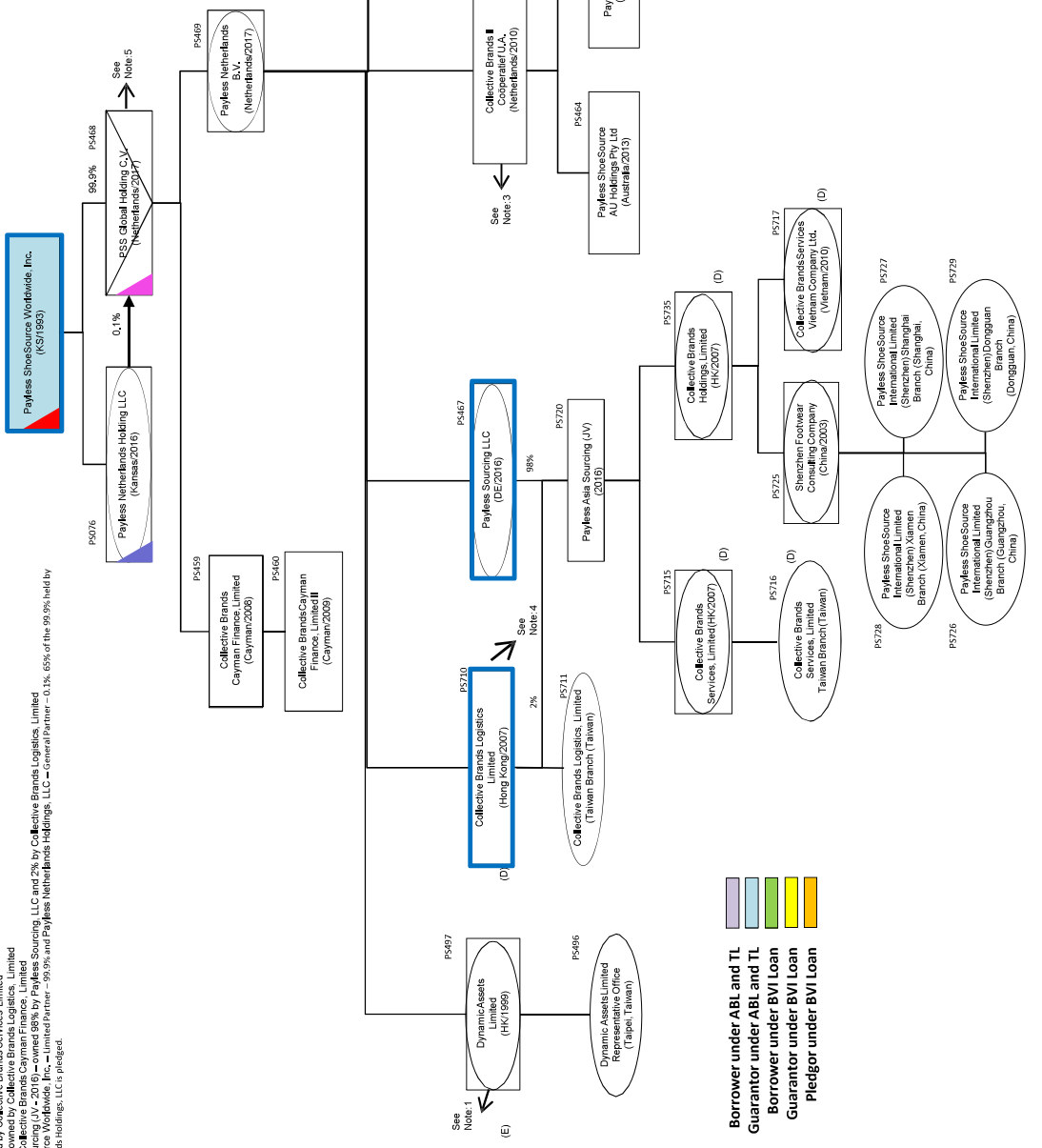
Debtor



Payless Holdings LLC Corporate Structure March 4, 2019 (Payless International)



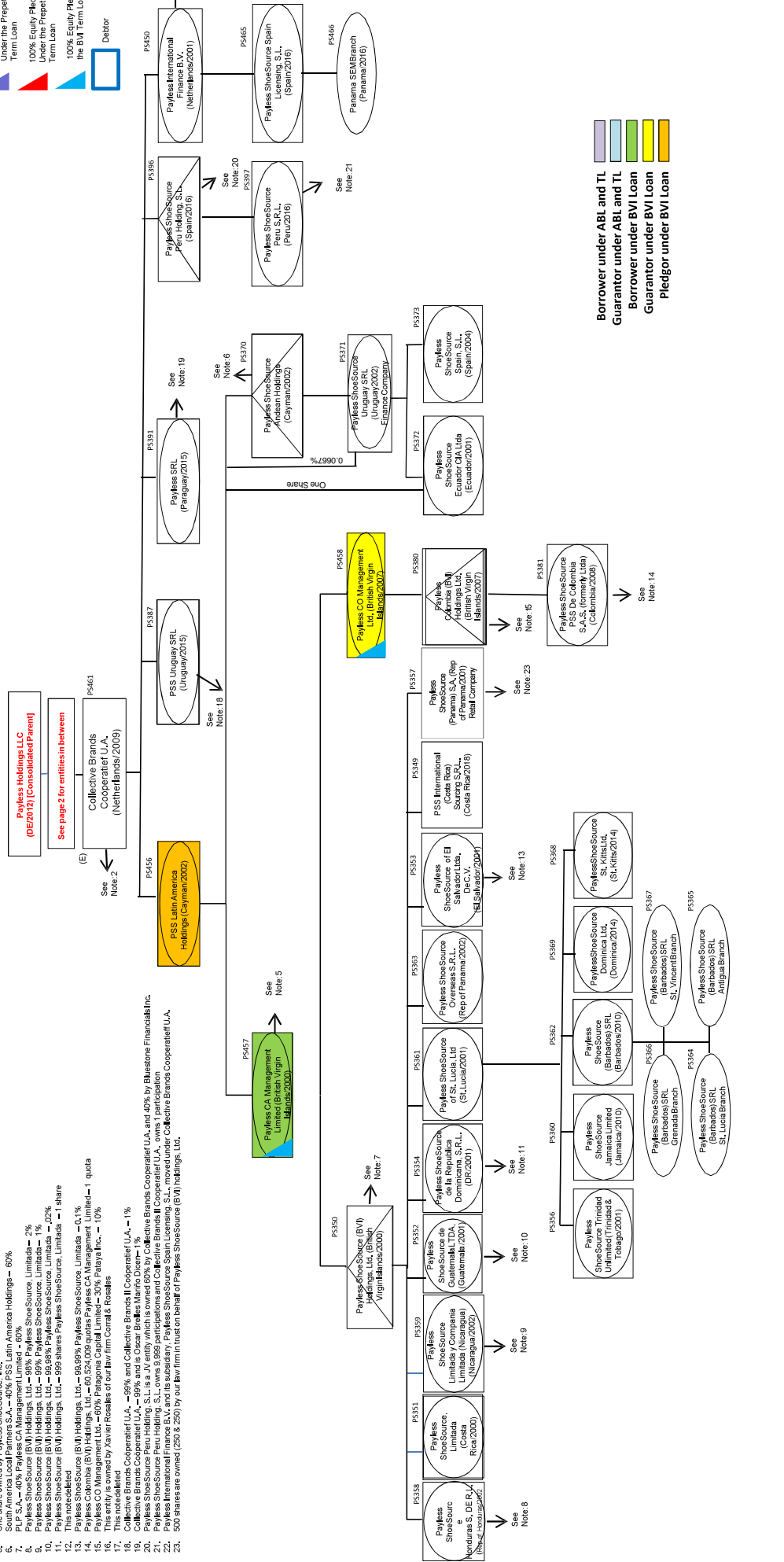
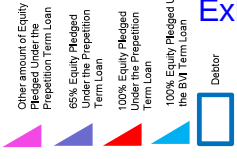
NOTES:
1. One Share owned by Collective Brands Services Limited
2. 0.1% owned by Collective Brands Finance Limited
3. 0.1% owned by Collective Brands Cayman Finance Limited
4. Payless Asia Sourcing (JV - 2019) – owned 98% by Payless Sourcing, LLC and 2% by Collective Brands Logistics, Limited
5. Payless ShoeSource Worldwide, Inc. – Limited Partner – 99.9% and Payless Netherlands Holdings, LLC – General Partner – 0.1%, 65% of the 99.9% held by Payless Netherlands Holdings, LLC is pledged.



- Borrower under ABL and TL
- Guarantor under ABL and TL
- Borrower under BVI Loan
- Guarantor under BVI Loan
- Pledgor under BVI Loan

**Payless Holdings LLC
Corporate Structure
March 4, 2019
(Payless International)**

- NOTES:**
1. This note deleted.
 2. 0.001726852% owned by Collective Brands Logistics, Limited
 3. This note deleted.
 4. This note deleted.
 5. One share owned by Payless ShoeSource, Inc.
 6. P.L.P. S.A. — 40% Payless CA Management Limited — 60%
 7. P.L.P. S.A. — 40% Payless CA Management Limited — 60%
 8. Payless ShoeSource (BVI) Holdings, Ltd. — 98% Payless ShoeSource, Limited — 2%
 9. Payless ShoeSource (BVI) Holdings, Ltd. — 99% Payless ShoeSource, Limited — 1%
 10. Payless ShoeSource (BVI) Holdings, Ltd. — 99.99% Payless ShoeSource, Limited — .02%
 11. Payless ShoeSource (BVI) Holdings, Ltd. — 99.99% Payless ShoeSource, Limited — .02%
 12. This note deleted.
 13. Payless ShoeSource (BVI) Holdings, Ltd. — 99.99% Payless ShoeSource, Limited — .01%
 14. Payless Colombia (BVI) Holdings, Ltd. — 99% and is Clear Brands Merito Diem — 1%
 15. The entity Payless Colombia (BVI) Holdings, Ltd. is a subsidiary of Payless CA Management Limited — 10%
 16. This note deleted.
 17. This note deleted.
 18. Collective Brands Cooperative U.A. — 89% and Collective Brands II Cooperative U.A. — 1%
 19. Collective Brands Cooperative U.A. — 89% and is Clear Brands Merito Diem — 1%
 20. Payless ShoeSource (BVI) Holdings, Ltd. — 99% and is Clear Brands Merito Diem — 1%
 21. Payless International Finance B.V. and its subsidiary, Payless ShoeSource Spain Licensing S.L., owns 9,999 participations and Collective Brands II Cooperative U.A. owns 1 participation
 22. Payless International Finance B.V. and its subsidiary, Payless ShoeSource Spain Licensing S.L., moved under Collective Brands Cooperative U.A.
 23. 500 shares are owned (250 & 250) by our law firm in trust on behalf of Payless ShoeSource (BVI) Holdings, Ltd.



Borrower under ABL and TL
Guarantor under ABL and TL
Borrower under BVI Loan
Guarantor under BVI Loan
Pledgor under BVI Loan

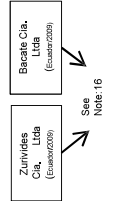


Exhibit C

Disclosure Statement Order

**UNITED STATES BANKRUPTCY COURT
EASTERN DISTRICT OF MISSOURI
EASTERN DIVISION**

In re:) Chapter 11
)
Payless Holdings LLC, *et al.*,) Case No. 19-40883-659
)
Debtors.) Jointly Administered
)
) Related to Docket Nos. 1461, 1583
)

**ORDER (I) APPROVING
THE ADEQUACY OF THE DEBTORS' DISCLOSURE
STATEMENT, (II) ESTABLISHING DATES AND DEADLINES RELATED
TO CONFIRMATION OF THE PLAN, (III) APPROVING CERTAIN
PROCEDURES FOR SOLICITING AND TABULATING THE VOTES ON,
AND FOR OBJECTING TO, THE PLAN, (IV) SCHEDULING A HEARING ON
CONFIRMATION OF THE PLAN, (V) APPROVING THE MANNER AND FORM OF
THE VARIOUS NOTICES AND DOCUMENTS THERETO; AND (VI) GRANTING
RELATED RELIEF**

Upon the motion (the "Motion") of the above-captioned debtors and debtors in possession (collectively, the "Debtors") for entry of an order (this "Disclosure Statement Order"), pursuant to sections 105(a), 1125(b), 1126(b) and 1128 of title 11 of the United States Code (the "Bankruptcy Code"), Rules 2002, 3003, 3016, 3017, 3018, 3020 and 6006 of the Federal Rules of Bankruptcy Procedures (the "Bankruptcy Rules") and Rules 3017, 3018, and 3020 of the Local Rules for the United States Bankruptcy Court for the Eastern District of Missouri (the "Local Bankruptcy Rules"): (i) approving the *Disclosure Statement for Second Amended Joint Plan of Reorganization of Payless Holdings LLC and its Debtor Affiliates Pursuant to Chapter 11 of the Bankruptcy Code* [Docket No. 1583] (the "Disclosure Statement");¹ (ii) establishing the Record Date, Voting Deadline, and other related dates and scheduling the Confirmation Hearing; (iii) approving

¹ Capitalized terms used but not defined herein shall have the meanings ascribed to them in the Motion or Disclosure Statement, as applicable.

procedures for soliciting, receiving, and tabulating votes on, and for filing any objections to, the proposed Plan; (iv) scheduling a hearing on confirmation of the Plan (the “Confirmation Hearing”); (v) approving the manner and form of the various notices and ancillary documents related to the foregoing; and (vi) granting related relief; and this Court having jurisdiction over this matter pursuant to 28 U.S.C. §§ 157 and 1334 and Local Bankruptcy Rule 81.901(B)(1); and this Court having found that this is a core proceeding pursuant to 28 U.S.C. § 157(b)(2); and this Court having found that venue of this proceeding and the Motion in this district is proper pursuant to 28 U.S.C. §§ 1408 and 1409; and this Court having found that the relief requested in the Motion is in the best interests of the Debtors’ estates, their creditors, and other parties in interest; and this Court having found that the Debtors provided appropriate notice of the Motion and the opportunity for a hearing under the circumstances; and this Court having reviewed the Motion and having heard the statements in support of the relief requested therein at a hearing before this Court (the “Hearing”); and this Court having determined that the legal and factual bases set forth in the Motion and at the Hearing establish just cause for the relief granted herein; and upon all of the proceedings had before this Court; and after due deliberation and sufficient cause appearing therefor, the relief requested should be granted as set forth below, the Court FINDS AND DETERMINES THAT:

A. **Disclosure Statement Hearing Notice.** The form and manner of the Disclosure Statement Hearing Notice, substantially in the form attached hereto as **Exhibit 1**, satisfies the provisions of the Bankruptcy Code, Bankruptcy Rules, and Local Bankruptcy Rules and due process requirements for creditors and other parties in interest in these Chapter 11 Cases.

B. **Disclosure Statement.** The Disclosure Statement (together with the exhibits thereto) contains adequate information that Holders of Claims entitled to vote on the Plan in

Classes 3 (Tranche A-1 Term Loan Secured Claims), 4 (Tranche A-2 Term Loan Secured Claims), 5A (General Unsecured Claims of Payless ShoeSource Worldwide, Inc. and Collective Brands Logistics Limited), and 5B (General Unsecured Claims Remaining Debtors) (collectively, the “Voting Classes” and the Holders of those Claims entitled to vote, the “Voting Creditors”) can make informed decisions as to whether to vote to accept or reject the Plan in satisfaction of the requirements of Bankruptcy Rule 3017(d) and in accordance with section 1125(a)(1) of the Bankruptcy Code.

C. **Solicitation/Confirmation Timeline.** The timing for filing and serving objections, if any, set forth herein provides parties in interest sufficient time to review all of the solicitation materials, consider the Plan, the Plan Supplement, and any other documents related to confirmation of the Plan, and to enable parties in interest, prior to the Confirmation Hearing, to make informed decisions regarding (i) voting on the Plan (as applicable) and (ii) objecting to the Plan.

D. **Ballot.** The Ballots for Classes 3 (Tranche A-1 Term Loan Secured Claims), 4 (Tranche A-2 Term Loan Secured Claims), 5A (General Unsecured Claims of Payless ShoeSource Worldwide, Inc. and Collective Brands Logistics Limited), and 5B (General Unsecured Claims Remaining Debtors), substantially in the forms attached collectively hereto as **Exhibit 2**, adequately address the particular needs of these Chapter 11 Cases, are sufficiently consistent with Official Form No. 14, and, together with the accompanying instructions, provide a fair and equitable voting process appropriate for the Voting Creditors.

E. **Solicitation Packages.** The various materials, documents, and notices of non-voting status that comprise the Solicitation Packages, provide sufficient information to, as applicable: (i) Voting Creditors to enable them to make informed decisions with respect to whether to vote to accept or reject the Plan in accordance with Bankruptcy Rules 2002, 3016,

Disclosure Statement Order) before distributing Solicitation Packages to each creditor or other party in interest in accordance with the terms of this Disclosure Statement Order without further order of the Court, including, without limitation, changes to correct typographical, clerical, and grammatical errors, and to make conforming changes among the Disclosure Statement, the Plan, and related documents (including the appendices thereto).

III. Establishment of the Record Date and Solicitation and Confirmation Timeline

A. Record Date

5. **August 30, 2019 for all Claims filed before such date, or, for any Claims filed after such date, the Claims Bar Date,** shall be the record date (the “Record Date”) for determining (i) the Holders of Claims that are entitled to vote to accept or reject the Plan and (ii) whether Claims have been properly transferred pursuant to Bankruptcy Rule 3001(e) such that the assignee thereof can vote as the Holder of such Claim.

6. The proper Holder of a scheduled Claim shall be determined by reference to the Solicitation Agent’s Claims register as may be modified by Notices of Transfer filed and reflected on the Court’s official docket (ECF) on the Record Date. Except as otherwise provided herein, Holders of Claims filed after, or assignees to whom Claims have purportedly been transferred subsequent to, the Record Date shall not be entitled to vote.

B. Solicitation and Confirmation Timeline

7. The following dates and deadlines are hereby established, subject to modification as needed, with respect to the solicitation of votes on, objecting to, and confirmation of the Plan:

- a. **Record Date: August 30, 2019** for all Claims filed before such date, or, for any Claims filed after such date, the Claims Bar Date;
- b. **Solicitation Deadline: September 23, 2019**, or within five (5) business days after entry of the Disclosure Statement Order;

- c. **Deadline to Publish the Confirmation Hearing Notice:** On one occasion on or prior to **September 23, 2019**, the Debtors shall publish a notice substantially similar to the Confirmation Hearing Notice;
- d. **Voting Resolution Event Deadline:** **October 9, 2019 at 4:00 p.m. prevailing Central Time** is the deadline by which a Voting Resolution Event must occur;
- e. **Plan Supplement:** **October 11, 2019** is the date by which the Debtors shall file the Plan Supplement with the Court;
- f. **Plan Objection Deadline:** **October 17, 2019 at 4:00 p.m. prevailing Central Time** is the deadline for filing an objection to confirmation of the Plan (unless otherwise agreed to by the Debtors, set forth in the Plan or Disclosure Statement, or ordered by the Court)²;
- g. **Voting Deadline:** **October 17, 2019 at 4:00 p.m. prevailing Central Time** is the deadline by which all Ballots must be *actually received* by the Solicitation Agent to be counted as a vote on the Plan;
- h. **Voting Report:** **October 21, 2019 at 10:00 a.m. prevailing Central Time** is the date by which the Voting Report shall be filed with the Court;
- i. **Reply Deadline:** **October 22, 2019 at 12:00 p.m. prevailing Central Time** is the deadline by which the Debtors or other parties supporting the Plan intend to file their reply to objections to confirmation of the Plan filed and served as set forth herein;
- j. **Confirmation Brief Deadline:** **October 22, 2019 at 12:00 p.m. prevailing Central Time** is the deadline by which the Debtors or other parties supporting the Plan intend to file their brief in support of confirmation of the Plan filed and served as set forth herein; and
- k. **Confirmation Hearing:** **October 23, 2019 at 10:00 a.m. prevailing Central Time** is the date and time the Confirmation Hearing is scheduled to begin before the Honorable Kathy A. Surratt-States, United States Bankruptcy Court for the Eastern District of Missouri, Eastern Division, Thomas F. Eagleton U.S. Courthouse, 111 S. 10th Street, 7th Floor – North Courtroom, St. Louis, MO 63102.

² Any objection by a counterparty to an Executory Contract or Unexpired Lease to a proposed assumption or related Cure amount must be filed, served, and actually received by the Debtors no later than ten (10) days after service of the notice of proposed assumption and proposed Cure Claims. Any such objection will be scheduled to be heard by the Bankruptcy Court at the Debtors' or Reorganized Debtors', as applicable, first scheduled omnibus hearing after which such objection is timely filed, which may be continued from time to time.

IV. Approval of Solicitation Procedures

A. Duties of the Solicitation Agent

8. The Solicitation Agent will assist the Debtors in, among other things, (i) mailing the Solicitation Packages, including the Confirmation Hearing Notice, (ii) receiving and tabulating Ballots, and (iii) responding to inquiries from creditors relating to the Solicitation and Voting Process, Ballots, and related matters.

B. Form of Ballot

9. The forms of Ballot, substantially in the forms attached collectively hereto as **Exhibit 2**, are approved.

C. Approval of Solicitation Package Contents and Procedures for Distribution

10. On or before **September 23, 2019**, or within five (5) days after entry of the Disclosure Statement Order (the "**Solicitation Deadline**"), the Solicitation Agent shall distribute the following solicitation materials, the forms of each of which are approved (collectively, the "**Solicitation Package**"), to Voting Creditors, Executory Contract and Unexpired Lease counterparties, and parties in interest as set forth herein by first-class, postage prepaid mail:

- a. a printed copy of the Confirmation Hearing Notice, substantially in the form attached hereto as **Exhibit 3**;
- b. if applicable, a printed copy of either:
 - i. a Ballot and voting instructions for the Voting Class in which the creditor is entitled to vote (with a pre-addressed, postage-prepaid return envelope); or
 - ii. in lieu of a Ballot, one of the following notices, as appropriate, based on the treatment under the Plan of any Claim or Interest held by the party to whom the notice is provided:
 - **Notices of Non-Voting Status**:
 - the Solicitation Packages sent to Holders of Claims in Classes 1 and 2 (which are unimpaired under, and

- thus conclusively presumed to have accepted, the Plan) shall include a notice of unimpaired creditor status, substantially in the form attached hereto as **Exhibit 4-A** (the “Unimpaired Non-Voting Status Notice”); and
- o the Solicitation Packages sent to Holders of Class 7 Interests (which are deemed to reject and thus not entitled to vote on the Plan) shall include a notice of such non-voting status, substantially in the form attached hereto as **Exhibit 4-B** (the “Fully-Impaired Non-Voting Status Notice” and, collectively with the Unimpaired Non-Voting Status Notice, the “Notices of Non-Voting Status” and each a “Notice of Non-Voting Status”);
 - **Disputed Claim Notice:** the Solicitation Packages sent to Entities with Claims that have been objected to by the Debtors shall include a disputed claim notice, substantially in the form attached hereto as **Exhibit 4-C** (the “Disputed Claim Notice”);
 - **Contract/Lease Party Notice:** the Solicitation Packages sent to Executory Contract and Unexpired Lease counterparties shall include a contract/lease party notice, substantially in the form attached hereto as **Exhibit 5** (the “Contract/Lease Party Notice”);
- c. a flash drive containing a copy of the Disclosure Statement and all exhibits thereto, including this Disclosure Statement Order (but excluding this Disclosure Statement Order’s exhibits) and the Plan (sent only to Voting Creditors);
 - d. a letter from the Debtors (“Cover Letter”) explaining the solicitation process and urging Voting Creditors to vote to accept the Plan, in the form attached hereto as **Exhibit 6** (sent only to Voting Creditors);
 - e. a letter from the Committee with a recommendation on how unsecured creditors should vote on the Plan (the “Committee Letter”), substantially in the form attached hereto as **Exhibit 7** (sent only to Voting Creditors)³; and
 - f. such other materials as the Court may direct.

³ Printed copies of the Cover Letter from the Debtors and the Committee Letter shall only be included in the Solicitation Packages distributed to the Voting Creditors.

11. The Debtors are not required to provide the holders of Intercompany Claims (Class 6) and Intercompany Interests (Class 8) with a Solicitation Package or any type of notice.

12. On or before the Solicitation Deadline, the Debtors will also cause the appropriate Solicitation Packages to be served upon: (a) the Notice Parties; (b) all creditors holding scheduled Claims; and (c) all creditors that filed Proofs of Claim(s).

13. Notwithstanding anything herein to the contrary, any party entitled to vote on the Plan that (a) has more than one Claim (whether against the same or multiple Debtors) in the same Voting Class based upon different transactions or (b) has scheduled, filed, or purchased duplicate Claims (whether against the same or multiple Debtors) or Claims against multiple Debtors arising from, based upon, or relating to the same transaction, shall be provided with one Solicitation Package and one Ballot identifying the applicable Claims consistent with the vote tabulation procedures set forth herein.

14. The Debtors are authorized to distribute the Disclosure Statement (and all exhibits thereto, including the Plan and this Disclosure Statement Order) in a flash drive format. For the avoidance of doubt, the Ballots, the Confirmation Hearing Notice, the Debtors' Cover Letter, and the Committee's Letter will *only* be provided in paper format. Paper copies of the Disclosure Statement (and all exhibits thereto) shall be available upon request (at the Debtors' expense) to the Solicitation Agent by: (a) visiting the Debtors' restructuring website at <https://cases.primeclerk.com/pss>; (b) writing to Payless Ballot Processing, c/o Prime Clerk LLC, One Grand Central Place, 60 East 42nd Street, Suite 1440, New York, NY 10165; and/or (c) calling the Debtors' restructuring hotline at 844-339-4268. The Plan and Disclosure Statement are also available free-of-charge on the Debtors' restructuring website at <https://cases.primeclerk.com/pss>.

V. Approval of Procedures for Voting on the Plan

A. Voting Deadline

15. All Ballots must be properly executed, completed, and returned so that they are ***actually received*** no later than **4:00 p.m. prevailing Central Time on October 17, 2019** (the “Voting Deadline”) by the Solicitation Agent.

16. The Debtors are authorized to extend the Voting Deadline in their sole discretion based on sound business judgment and will include notice of any extension in the Voting Report filed with the Court.

VOTES CAST ON ANY BALLOT (1) NOT RECEIVED BY THE VOTING DEADLINE OR (2) RECEIVED BUT NOT DULY EXECUTED OR COMPLETED IN ACCORDANCE WITH THE REQUIREMENTS SET FORTH HEREIN SHALL NOT BE COUNTED.

B. Voting and Tabulation Procedures

17. Absent a contrary order of the Court, the following hierarchy shall determine the amount of the Claim associated with each vote transmitted on a properly-executed, timely-received Ballot:

- (a) the amount of the Claim settled and/or agreed upon by the Debtors, as reflected in a court pleading, stipulation, agreement or other document filed with the Court, in an order of the Court, or in a document executed by the Debtors pursuant to authority granted by the Court;
- (b) the amount of the Claim determined through a Voting Resolution Event (defined below) in accordance with the resolution procedures set forth herein;
- (c) the amount of the Claim listed in a timely-filed Proof of Claim as not contingent, not unliquidated, and not disputed (except for any amounts asserted on account of interest accrued after the Commencement Date), if such Claim is not subject to an objection filed in the Bankruptcy Court⁴ on

⁴ If the Debtors file an objection to reduce and allow a Claim, the Claim shall vote in the reduced amount. If the Debtors file an objection to reclassify a Claim, the Claim shall be treated for solicitation and tabulation purposes as that reclassified Claim, which may include being moved out of one of the Voting Classes.

before September 30, 2019, *provided however*, that a timely filed Proof of Claim asserting a wholly contingent, wholly unliquidated, and/or wholly disputed amount (as determined by the Debtors) shall vote in the amount of \$1.00;

- (d) the amount of the Claim listed in the Schedules as not contingent, not unliquidated, and not disputed as of the Record Date, *provided however* that a Claim listed in the Schedules as contingent, unliquidated, or disputed for which the bar date has not yet passed, including the Governmental Bar Date, shall vote in the amount of \$1.00 (solely for the purposes of satisfying the dollar amount provisions of section 1126(c) of the Bankruptcy Code); and
- (e) in the absence of any of the foregoing, \$0.00.

18. Absent a contrary order of the Court, the following procedures shall apply with respect to tabulating all votes:

- a. **Votes Not Counted**: Votes that will not be counted or considered for any purpose include, without limitation, any vote purportedly transmitted on:
 - i. any Ballot received by the Solicitation Agent after the Voting Deadline, unless the Debtors shall have granted in writing an extension of the Voting Deadline with respect to such Ballot;
 - ii. any Ballot that is illegible or contains insufficient information to permit the identification of the Holder of the Claim;
 - iii. any Ballot cast by an entity that (A) does not hold a Claim in a Class that is entitled to vote on the Plan or (B) is not otherwise entitled to vote pursuant to the procedures described herein;
 - iv. any Ballot sent to any party in these Chapter 11 Cases other than the Solicitation Agent;
 - v. any unsigned Ballot or Ballot without an original signature; *provided, however*, that any Ballot submitted via the Solicitation Agent's online balloting portal shall be deemed to contain an original signature;
 - vi. any Ballot that is received by the Solicitation Agent by facsimile or other means of electronic transmission (other than the Solicitation Agent's online balloting portal); or
 - vii. any Ballot either (A) not marked to accept or reject the Plan or (B) marked both to accept and reject the Plan.

- b. **Rejected Ballots:** Except as otherwise provided herein and subject to any contrary order of the Court, unless the Ballot being furnished is timely submitted on or prior to the Voting Deadline, the Debtors shall be entitled to reject such Ballot as invalid and, therefore, decline to count it in connection with confirmation of the Plan. The Debtors reserve the right to reject any Ballots not in proper form, the acceptance of which, in the Debtors' opinion, would not be in accordance with the provisions of the Bankruptcy Code or the Bankruptcy Rules.
- c. **Multiple Ballots:** If multiple Ballots are received from the same Holder of a Claim with respect to the same Claim prior to the Voting Deadline, the latest received, properly-completed Ballot timely received shall count for voting purposes, subject to contrary order of the Court; *provided, however* that in instances where ambiguity exists with respect to which Ballot was the latest received, the Solicitation Agent is authorized to contact the respective claimant to determine such claimant's intent and calculate the vote according thereto.
- d. **Multiple Claims:** Any party entitled to vote on the Plan that has more than one Claim in the same Voting Class at the same Debtor based upon different transactions shall be entitled to one vote on account of each such Claim for numerosity purposes in the aggregate dollar amount of such Claims (the Solicitation Agent shall keep track of any separate Ballots submitted by such claimants).
- e. **Duplicative Claims:** Notwithstanding anything herein to the contrary, any Entity that has scheduled, filed, or purchased duplicative Claims (whether against the same or multiple Debtors) shall be entitled to vote only a single Claim for numerosity purposes in a dollar amount based upon one of the duplicative claims, regardless of whether the Debtors have objected to such duplicative Claims (and the Solicitation Agent shall keep track of any separate Ballots submitted by such claimants).
- f. **Voting Tabulation By Debtor:** The Debtors will present the voting tabulation on a debtor-by-debtor basis.
- g. **No Vote-Splitting:** For a given Claim, a Holder must vote the entire amount of that Claim either to accept or reject the Plan and may not split any such vote, and any Ballot that partially rejects and partially accepts the Plan with respect to a particular Claim will not be counted.
- h. **Defective Ballots:** The Debtors, subject to contrary order of the Court, may waive any defects or irregularities as to any particular Ballot at any time, either before or after the Voting Deadline, so long as: (a) any waiver is documented in the Voting Report to be completed by the Solicitation Agent and filed with the Court; (b) neither the Debtors nor any of their representatives will be under any affirmative duty to provide notification of

such defects or irregularities other than as provided in the Voting Report, nor will they incur any liability for failure to provide such notification; and (c) unless waived by the Debtors or by order of the Court, any defects or irregularities associated with the delivery of Ballots must be cured prior to the Voting Deadline or else such Ballots will *not* be counted.

- i. **No Class Votes:** Any Class of Claims against any individual Debtor that is not occupied as of the Confirmation Hearing by (a) an Allowed Claim, (b) a Claim that was temporarily allowed by a Voting Resolution Event, or (c) as to which no Ballot has been received shall be deemed eliminated from the Plan of such Debtor for purposes of voting on that Plan.
- j. **Lack of Good Faith Designation:** In the event a designation for lack of good faith is requested by a party in interest under section 1126(e) of the Bankruptcy Code, the Court will determine whether any vote cast on account of such Claim will be counted for purposes of determining if the Plan has been accepted or rejected by such Claim.

C. Certified Voting Report

19. The Solicitation Agent shall file its voting certifications (the “Voting Reports”) with the Court on or before **October 21, 2019 at 10:00 a.m. (prevailing Central Time)**. The requirement contained in Local Bankruptcy Rule 3018 that such Voting Reports be filed at least 72 hours prior to a confirmation hearing is hereby waived. The Debtors shall cause the Voting Reports to be served upon all parties entitled to notice under Bankruptcy Rule 2002(b) and posted on the website maintained by the Solicitation Agent as soon as such reports are filed.

D. Temporary Allowance of Claims Solely for Voting Purposes

20. Holders of Claims that are not entitled to vote on the Plan as set forth herein (or who assert they should be able to vote an amount other than the amount indicated on the Ballot provided for such Claim), may vote on account of such Claim (and/or vote an amount other than the balloted amount, as applicable) if one of the following occurs (a “Voting Resolution Event”) by the Voting Resolution Event Deadline:

- (a) **Agreement Between the Parties.** A stipulation or other agreement is executed between the Holder of such Claim and the Debtors allowing the Holder of such Claim to vote such Claim in an agreed upon amount.

- (b) **Bankruptcy Rule 3018(a) Order.** A creditor files with the Court a motion pursuant to Bankruptcy Rule 3018(a) (a “Rule 3018(a) Motion”) on or before the Voting Resolution Event Deadline seeking temporary Allowance of its Claim for voting purposes in the amount other than set forth in the Schedules or in response to an objection filed by the Debtors that is sustained by the Court after notice and a hearing.

A Rule 3018(a) Motion must: (i) be made in writing, (ii) comply with the Bankruptcy Code, the Bankruptcy Rules, and the Local Bankruptcy Rules, (iii) set forth the name of the party asserting the Rule 3018(a) Motion, (iv) state with particularity the legal and factual bases for the Rule 3018(a) Motion, (v) be set for hearing at the Confirmation Hearing, and (vi) be served by personal service, overnight delivery, first class mail, or facsimile so as to be received by the Notice Parties (as defined herein) no later than the Rule 3018(a) Motion Deadline.

In the event that the Debtors and such party are unable to resolve any issues raised by the Rule 3018(a) Motion prior to the Voting Report Deadline, (a) the Debtors may object to the Rule 3018(a) Motion prior to the Confirmation Hearing; and (b) the Solicitation Agent shall tabulate the vote in the amount as directed by the Debtors and shall include in the Voting Report representations that such vote was subject to a Rule 3018(a) Motion and whether including such Ballot in the amount sought by the party in the Rule 3018(a) Motion would change the particular Voting Class’s acceptance or rejection of the Plan. The Court then shall determine at the Confirmation Hearing whether the Ballot should be counted as a vote on the Plan and in what amount. Such a procedure will help to ensure an efficient tabulation of Ballots to be completed accurately by the Confirmation Hearing.

- (c) **Other Order of the Court.** The Court otherwise orders the allowance of such Claim for purposes of voting to accept or reject the Plan.

21. Within two (2) business days of a Voting Resolution Event, the Solicitation Agent shall provide the respective claimant a Solicitation Package, including a Ballot. Such claimant must then return a duly-completed, properly-exercised Ballot to the Solicitation Agent on or before the Voting Deadline (unless the Debtors extend the deadline in their sole discretion to facilitate a reasonable opportunity for such creditor to vote upon the Plan).

VI. Establishing Confirmation Hearing Date, Notice, and Objection Procedures

A. Confirmation Hearing Date

22. The Confirmation Hearing will be scheduled at **10:00 a.m. prevailing Central Time on October 23, 2019** before the Honorable Kathy A. Surratt-States, United States Bankruptcy Court for the Eastern District of Missouri, Eastern Division, Thomas F. Eagleton U.S. Courthouse, 111 S. 10th Street, 7th Floor – North Courtroom, St. Louis, MO 63102.

THE CONFIRMATION HEARING MAY BE CONTINUED FROM TIME TO TIME BY THE COURT OR THE DEBTORS WITHOUT FURTHER NOTICE OTHER THAN BY ANNOUNCEMENT IN OPEN COURT OR BY NOTICE FILED WITH THE COURT.
--

B. Confirmation Hearing Notice

23. The Confirmation Hearing Notice, substantially in the form attached hereto as **Exhibit 3**, is approved pursuant to Bankruptcy Rules 2002 and 3017(d). The Debtors shall cause the Confirmation Hearing Notice to be served upon all known creditors, equity holders, and parties in interest in these Chapter 11 Cases by the Solicitation Deadline.

24. On one occasion on or prior to **September 23, 2019**, the Debtors shall publish a notice substantially similar to the Confirmation Hearing Notice (modified for publication, if necessary) in the national edition of *The New York Times*.

C. Filing Objections to Confirmation of the Plan

25. Any objection to Confirmation of the Plan must (a) be in writing, (b) conform to the Bankruptcy Rules, (c) set forth the name of the objector and the nature and amount of Claims or Interests held or asserted by the objector against the particular Debtor or Debtors, (d) state with particularity the basis for the objection and the specific grounds therefor, and (e) be filed with the Bankruptcy Court, together with proof of service thereof, and be served upon and actually received no later than **4:00 p.m. prevailing Central Time on October 17, 2019** (unless otherwise agreed

to by the Debtors, set forth in the Plan or Disclosure Statement, or ordered by the Court), by the following parties:

Debtors	Counsel to Debtors
<p>Payless Holdings LLC 3231 SE 6th Avenue Topeka, Kansas 66607 ATTN: Ramona Palmer-Eason, Group Counsel – Global Employment and Litigation</p>	<p>Armstrong Teasdale LLP 7700 Forsyth Boulevard, Suite 1800 St. Louis, Missouri 63105 Attn: Richard W. Engel, Jr., Erin M. Edelman, and John G. Willard</p> <p>Akin Gump Strauss Hauer & Feld LLP One Bryant Park New York, NY 10036 Attn: Ira Dizengoff, Meredith A. Lahaie, Kevin Zuzolo</p> <p>Seward & Kissell LLP One Battery Park Plaza New York, NY 10004 Attn: John R. Ashmead, Robert J. Gayda, Catherine V. LoTempio</p>
Counsel to the Prepetition ABL Administrative Agent	Counsel to Certain Prepetition Term Loan Lenders
<p>Thompson Coburn LLP One US Bank Plaza St. Louis, MO 63101 Attn: Mark Bossi</p> <p>Choate Hall & Stewart LLP Two International Place Boston, MA 02110 Attn: Kevin Simard, Doug Gooding and Jonathan Marshall</p>	<p>Doster, Ullom & Boyle, LLC 16090 Swingley Ridge Road, Suite 620 Chesterfield, Missouri 63017 Attn: Gregory D. Willard</p> <p>Kramer Levin Naftalis & Frankel LLP 1177 Avenue of the Americas New York NY 10036 Attn: Stephen D. Zide</p> <p>Stroock & Stroock & Lavan LLP 180 Maiden Lane New York NY 10038-4982 Attn: Kristopher M. Hansen and Daniel A. Fliman</p> <p>Lewis Rice LLC 600 Washington Avenue Suite 2500 St. Louis, MO 63101 Attn: Sonette T. Magnus</p>
Counsel to the FILO Agent	Counsel to the Prepetition Term Loan Agent
<p>Greenberg Traurig, LLP One International Place Suite 2000 Boston, MA 02110 Attn: Jeffrey Wolf</p>	<p>Norton Rose Fulbright US LLP 190 Carondelet Plaza, Suite 1690 St. Louis, MO 63105 Attn: Timothy J. Walsh</p> <p>Norton Rose Fulbright US LLP 1301 Avenue of the Americas</p>

	New York, NY 10019 Attn: Stephen Castro and David Rosenzweig
Counsel to the Committee	United States Trustee
Polsinelli LLP 100 S. Fourth Street, Suite 1000 St. Louis, MO 63102 Attn: Matthew Layfield Pachulski Stang Ziehl & Jones LLP 780 Third Avenue, 34 th Floor New York, NY 10017 Attn: Robert J. Feinstein and Bradford Sandler Pachulski Stang Ziehl & Jones LLP 10100 Santa Monica Blvd., 13 th Floor Los Angeles, CA 90067-4003 Attn: Jeffrey N. Pomerantz, Ira D. Kharasch, Shirley S. Cho	Office of the United States Trustee for the Eastern District of Missouri 111 South 10th Street, Suite 6353 St. Louis, Missouri 63102 Attn: Paul A. Randolph and Carole Ryczek
The Monitor	Counsel to the Monitor
FTI Consulting Canada, Inc. TD South Tower 79 Wellington Street West, Suite 2010 Toronto ON M5K 1G8 Canada Attn: Paul Bishop, Greg Watson and Jim Robinson	Bennett Jones LLP 3400 One First Canadian Place P.O. Box 130 Toronto ON M5X 1A4 Canada Attn: Sean Zweig, Kevin Zych and Aiden Nelms

**ANY OBJECTION TO CONFIRMATION OF THE PLAN
 NOT FILED AND SERVED AS SET FORTH HEREIN MAY BE
 DEEMED WAIVED AND NOT BE CONSIDERED BY THE COURT.**

26. Based on the representations by the Debtors and interested parties on the record at the Hearing, the proposed notice to creditors for filing an objection to Confirmation of the Plan is sufficient under the circumstances, and the 28-day notice requirement contained in Bankruptcy Rule 2002 is hereby waived. Further, the requirement contained in Local Bankruptcy Rule 3020-A that objections to confirmation of a plan be filed at least seven (7) days prior to a confirmation hearing is hereby waived.

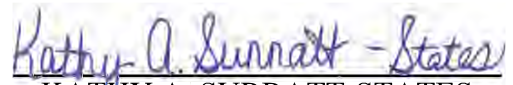
27. Notice of the Motion satisfies the requirements of Bankruptcy Rule 6004(a).

28. Notwithstanding the requirement of Local Bankruptcy Rule 3018-C, the Debtors are required only to bring electronic images of the original Ballots returned to the Solicitation

Agent in a flash drive or similar format and make such electronic copies available to any party at the Confirmation Hearing.

29. Notwithstanding Bankruptcy Rule 6004(h), the terms and conditions of this Disclosure Statement Order are immediately effective and enforceable upon its entry.

30. Nothing in this Order shall alter or limit any authorization or relief contained in, or prevent Payless ShoeSource Canada Inc., Payless ShoeSource Canada GP Inc., or Payless ShoeSource Canada LP (the "Canadian Debtors") from taking any action authorized pursuant to an order issued by the Ontario Superior Court of Justice (Commercial List) (the "Canadian Court") in proceedings in respect of the Canadian Debtors pursuant to the Companies' Creditors Arrangement Act (Canada), and to the extent of any inconsistency between this Order and the terms of any order of the Canadian Court, the order of the Canadian Court shall govern with respect to the Canadian Debtors.


KATHY A. SURRATT-STATES
Chief U.S. Bankruptcy Judge

DATED: September 18, 2019
St. Louis, Missouri
jjh

Order Prepared By:

Richard W. Engel, Jr., MO 34641
Erin M. Edelman, MO 67374
John G. Willard, MO 67049
ARMSTRONG TEASDALE LLP
7700 Forsyth Boulevard, Suite 1800
St. Louis, Missouri 63105
Telephone: (314) 621-5070
Facsimile: (314) 621-2239
Email: rengel@armstrongteasdale.com
Email: eedelman@armstrongteasdale.com
Email: jwillard@armstrongteasdale.com

Ira Dizengoff (admitted *pro hac vice*)
Meredith A. Lahaie (admitted *pro hac vice*)
Kevin Zuzolo (admitted *pro hac vice*)
AKIN GUMP STRAUSS HAUER & FELD LLP
One Bryant Park
New York, NY 10036
Telephone: (212) 872-1000
Facsimile: (212) 872-1002
Email: idizengoff@akingump.com
Email: mlahaie@akingump.com
Email: kzuzolo@akingump.com

Julie Thompson (admitted *pro hac vice*)
AKIN GUMP STRAUSS HAUER & FELD LLP
2001 K Street, N.W.
Washington, D.C. 20006
Telephone: (202) 887-4000
Facsimile: (202) 887-4288
Email: julie.thompson@akingump.com

David Staber (admitted *pro hac vice*)
AKIN GUMP STRAUSS HAUER & FELD LLP
2300 N. Field Street, Suite 1800
Dallas, Texas 75201
Telephone: (214) 969-2800
Facsimile: (214) 969-4343
Email: dstaber@akingump.com

Counsel to the Debtors and Debtors in Possession

-and-

John R. Ashmead (admitted *pro hac vice*)
Robert J. Gayda (admitted *pro hac vice*)
Catherine V. LoTempio (admitted *pro hac vice*)

SEWARD & KISSEL LLP

One Battery Park Plaza
New York, NY 10004
Telephone: (212) 574-1200
Facsimile: (212) 480-8421
Email: ashmead@sewkis.com
Email: gayda@sewkis.com
Email: lotempio@sewkis.com

Counsel to the Debtors and Debtors in Possession, acting at the direction of the Special Committee

Exhibit D

Financial Projections

Introduction to Financial Projections

The Debtors believe that the Plan meets the feasibility standard set forth in section 1129(a)(11) of the Bankruptcy Code, which requires that, as a condition to Confirmation, the Bankruptcy Court must determine that Confirmation is not likely to be followed by either a liquidation or the need to further reorganize the Debtors (and together with their non-Debtor affiliates, the “Company”).

In connection with developing the Plan and for purposes of determining whether the Plan satisfies the feasibility standards, the Company’s management team (“Management”), with the assistance of their financial advisors, have, through the development of consolidated financial projections (the “Financial Projections”) for the Company during the Projection Period (as defined below), analyzed the Company’s ability to meet its obligations under the Plan and to maintain sufficient liquidity and capital resources to conduct its businesses. The Debtors believes that the Plan satisfies the feasibility requirement under section 1129(a)(1) of the Bankruptcy Code.

The Financial Projections were prepared by Management and are based on a number of assumptions made by Management (i) based on information available to them, including information derived from public sources that have not been independently verified and (ii) within the bounds of their knowledge of their business and operations with respect to the future performance of the Company’s operations. The board of directors, board of managers or sole member, as applicable, of each of the Company’s subsidiaries were not asked to and did not approve the Financial Projections or evaluate or endorse the projections or the assumptions underlying the Financial Projections.

No representation or warranty, express or implied, is provided as to (i) the fairness, accuracy, correctness, completeness or reliability of the Financial Projections or any other information, opinion or conclusion expressed herein or (ii) the Company’s ability to achieve the projected results. The Financial Projections may not be relied upon as a guarantee or as any other form of assurance as to the actual results that will occur.

THE FINANCIAL PROJECTIONS CONTAIN STATEMENTS WHICH CONSTITUTE “FORWARD-LOOKING STATEMENTS” WITHIN THE MEANING OF THE SECURITIES ACT OF 1933, AS AMENDED, AND THE SECURITIES EXCHANGE ACT OF 1934, AS AMENDED BY THE PRIVATE SECURITIES LITIGATION REFORM ACT OF 1995. FORWARD-LOOKING STATEMENTS IN THESE PROJECTIONS INCLUDE THE INTENT, BELIEF, OR CURRENT EXPECTATIONS OF THE COMPANY AND MEMBERS OF ITS MANAGEMENT TEAM WITH RESPECT TO THE TIMING OF, COMPLETION OF, AND SCOPE OF THE CURRENT RESTRUCTURING, THE PLAN, THE COMPANY’S STRATEGIC BUSINESS PLAN, BANK FINANCING, DEBT AND EQUITY MARKET CONDITIONS, AND THE COMPANY’S FUTURE LIQUIDITY, AS WELL AS THE ASSUMPTIONS UPON WHICH SUCH STATEMENTS ARE BASED. ALTHOUGH MANAGEMENT HAS PREPARED THE FINANCIAL PROJECTIONS IN GOOD FAITH AND BELIEVES THE ASSUMPTIONS TO BE REASONABLE, IT IS IMPORTANT TO NOTE THAT THE COMPANY CAN PROVIDE NO ASSURANCE THAT SUCH ASSUMPTIONS WILL BE REALIZED. BECAUSE FUTURE EVENTS AND CIRCUMSTANCES MAY WELL DIFFER FROM THOSE ASSUMED AND UNANTICIPATED EVENTS OR CIRCUMSTANCES MAY OCCUR, THE COMPANY EXPECTS THAT THE ACTUAL AND PROJECTED RESULTS WILL DIFFER AND THE ACTUAL RESULTS MAY BE MATERIALLY GREATER OR LESS THAN THOSE CONTAINED IN THE FINANCIAL PROJECTIONS AND FROM THOSE CONTEMPLATED BY SUCH FORWARD-LOOKING STATEMENTS. THE INCLUSION OF THE FINANCIAL PROJECTIONS HEREIN SHOULD NOT BE REGARDED AS AN INDICATION THAT THE COMPANY CONSIDERED OR CONSIDER THE FINANCIAL PROJECTIONS TO RELIABLY PREDICT FUTURE PERFORMANCE. ACCORDINGLY, IN DECIDING WHETHER TO VOTE TO ACCEPT OR REJECT THE PLAN, CREDITORS SHOULD REVIEW THE FINANCIAL PROJECTIONS IN CONJUNCTION WITH A REVIEW OF THE RISK FACTORS SET FORTH IN THE DISCLOSURE STATEMENT AND THE ASSUMPTIONS AND RISKS DESCRIBED HEREIN, INCLUDING ALL RELEVANT QUALIFICATIONS AND FOOTNOTES. STATEMENTS CONTAINED HEREIN DESCRIBING DOCUMENTS AND AGREEMENTS ARE SUMMARIES ONLY AND SUCH SUMMARIES ARE QUALIFIED IN THEIR ENTIRETY BY REFERENCE TO SUCH DOCUMENTS AND AGREEMENTS.

THE FINANCIAL PROJECTIONS WERE NOT PREPARED WITH A VIEW TOWARD COMPLIANCE WITH PUBLISHED RULES OF THE SECURITIES AND EXCHANGE COMMISSION OR PUBLISHED GUIDELINES OF CERTIFIED PUBLIC ACCOUNTANTS FOR PREPARATION AND PRESENTATION OF PROSPECTIVE FINANCIAL INFORMATION. THE FINANCIAL PROJECTIONS DO NOT REFLECT THE IMPACT OF FRESH START ACCOUNTING, WHICH COULD RESULT IN A MATERIAL CHANGE TO ANY OF THE PROJECTED VALUES. THE COMPANY’S INDEPENDENT AUDITOR HAS NOT EXAMINED, COMPILED, OR

PERFORMED ANY PROCEDURES WITH RESPECT TO THE PROSPECTIVE FINANCIAL INFORMATION CONTAINED IN THIS EXHIBIT AND, ACCORDINGLY, IT DOES NOT EXPRESS AN OPINION OR ANY OTHER FORM OF ASSURANCE ON SUCH INFORMATION OR ITS ACHIEVABILITY. THE COMPANY'S INDEPENDENT AUDITOR ASSUMES NO RESPONSIBILITY FOR, AND DENIES ANY ASSOCIATION WITH THE PROSPECTIVE FINANCIAL INFORMATION. PROJECTIONS SHOULD BE READ IN CONJUNCTION WITH THE DISCLOSURE STATEMENT AND THE PLAN IN THEIR ENTIRETY AS WELL AS THE NOTES AND ASSUMPTIONS SET FORTH BELOW.

The Company does not intend to and disclaims any obligation to: (1) furnish updated Financial Projections to holders of Claims or Equity Interests prior to the Effective Date or to any other party after the Effective Date; (2) include any such updated information in any documents that may be required to be filed with the Securities and Exchange Commission; or (3) otherwise make such updated information publicly available.

Select Assumptions of the Financial Projections

The Financial Projections are based on, but not limited to, factors such as industry performance, general business, economic, competitive, regulatory, market, and financial conditions, as well as the assumptions detailed below. Many of these factors and assumptions are difficult to predict and beyond the Company's control and do not take into account the uncertainty and disruption of business that may accompany an in-court restructuring. Accordingly, the assumptions should be reviewed in conjunction with a review of the risk factors described below under "*Select Risk Factors Related to the Financial Projections*".

- **Methodology:** The Financial Projections were developed on an operational rather than legal entity basis, and therefore include segments related to the operations of non-Debtor affiliates.
- **Plan and Effective Date:** The Financial Projections assume that the Plan will be consummated in accordance with its terms and that all transactions contemplated by the Plan will be consummated by October 31, 2019 (the "Assumed Effective Date").
- **Projection Period:** The Financial Projections contained herein commence after the Assumed Effective Date, and cover the period beginning November 1, 2019 through January 31, 2022 (the "Projection Period").
- **Fresh Start Accounting:** The Financial Projections do not reflect the application of "fresh start" accounting that may apply upon the Effective Date. Any formal fresh start reporting adjustments that may be required in accordance with Accounting Standards Codification Topic 852, "Reorganizations" ("ASC 852") will be made after the Effective Date. If the Debtors do fully implement fresh start accounting, differences from the depiction presented are anticipated and those differences may be material.
- **Macroeconomic & Industry Environment:** The Financial Projections take into account the current difficult retail and competitive environment. These Financial Projections do not take into account future changes to foreign currency exchange rates or commodity prices.
- **Operations:** The Financial Projections incorporate the Company's planned sales and cost initiatives, as well as operational restructuring activities. The Company will emerge primarily focused on growing its Franchising, Latin America and Amazon businesses through the strength of its intellectual property portfolio and sourcing organization. Accordingly, the Company's business plan includes greater operational delineation between its U.S. and its Latin America (as defined below) operations such that both businesses have the resource and capabilities to enable growth and plan achievement. The Financial Projections reflect two main operational restructuring activities:
 1. **Overhead Costs:** Recognizing the need to have the Company's Latin America joint venture partnership ("Latin America") run independently in order stabilize the business and resume its prior growth track, Management and advisors undertook an extensive process to develop an independent organizational structure for Latin America, rather than continuing the Company's historic practice of allocating shared resources to the management of Latin America in exchange for a management fee. Management and its advisors analyzed required leadership and staffing needs to properly oversee and grow the Latin America business and created detailed projections for these and other dedicated operational expenses which the Latin America joint venture is projected to incur directly. Therefore, the Financial Projections reflect the removal of management fees from the Company's

forecasted revenues and Latin America specific operational costs are instead included as direct expenditures of Latin America.

2. **IT Overhaul:** The Company's existing IT infrastructure, which historically supported a significantly organization (including North America stores, Canada stores, Latin America locations, Franchise operations and all corporate functions), is substantially outdated and excessively costly to operate and maintain. As a result, prior to the Debtors' current bankruptcy proceedings, Management, together with the joint venture partners in Latin America, had established a plan to develop new and independent IT systems for Latin America. In addition, in line with its substantially reduced organizational size and business functions resulting from the current bankruptcy proceedings, the Company has undertaken to develop new IT systems for the emerging Company's business in order to lower its fixed costs, and the cost to maintain the legacy systems. Management and its advisors have established a plan to overhaul both the U.S. and Latin America's IT systems, which development is now underway. Until such time as the new systems are complete, the Company's legacy systems which support both businesses, will need to be maintained, and the Financial Projections reflect an anticipated cost sharing arrangement between Latin America and IPCo for these expenditures.
- **Other Assumptions:** The Financial Projections also assume that: (1) there will be no material change in legislation or regulations, or the administration thereof, that will have an unexpected effect on the operations of the Company; (2) there will be no change in generally accepted accounting principles in the United States that will have a material effect on the reported financial results of the Company; (3) the potential application of fresh start accounting will not materially change the Debtors' accounting procedures; and (4) there will be no material contingent or unliquidated litigation or indemnity claims applicable to the Debtors.

Select Risk Factors Related to the Financial Projections

The estimates and assumptions in the Financial Projections, while considered reasonable by Management, may not be realized, and are inherently subject to risks, uncertainties and contingencies. The Financial Projections are also based on factors such as general business, economic, regulatory, market, and financial conditions, all of which are difficult to predict and generally beyond the Company's control. Because future events and circumstances may well differ from those assumed and unanticipated events or circumstances may occur, the Company expects that the actual results will be different from those contained in the Financial Projections and such differences may be material. Although the Financial Projections take into account the current difficult retail and competitive environment, no other specific risks (including the below listed risks) are reflected within the Financial Projections. Select industry and Company specific risks that could cause actual results to differ materially include, but are not limited to, the following risks:

- The Company operates in a highly competitive market, with significant established competitors, and competition may reduce overall market share, sales and profitability. Additionally, the Company operates in a cyclical industry that is heavily dependent upon the overall level of consumer spending and disposable income of their core customer base. Any substantial deterioration in general economic conditions could adversely impact sales and profitability.
- The industry in which the Company operates fluctuates according to changing fashion tastes and seasons, and merchandise usually must be ordered well in advance of the season, frequently before consumer fashion tastes are evidenced by consumer purchases. If the Company fails to properly gauge the fashion tastes of consumers or to respond in a timely manner, this failure could adversely affect consumer acceptance of the Company's merchandise and leave the Company with substantial unsold inventory.
- The Company depends on third-party manufacturers to manufacture the merchandise that the Company sells. If these manufacturers are unable to secure sufficient supplies of raw materials, produce products that meet quality standards, or maintain adequate manufacturing and shipping capacity, they may be unable to provide the Company with timely delivery of products.
- The Company may experience an inability to maintain or obtain trade terms from vendors and suppliers, which could lead to increased costs or increased working capital requirements.

- Certain of the Company's merchandise and components of the Company's merchandise that are imported from China are included in the product lines subject to the tariffs currently in effect or proposed. Given the uncertainty regarding the scope and duration of the tariffs, as well as the potential for additional trade actions by the U.S. or other countries, the impact on the Company's operations and financial results is uncertain and could be significant. To the extent that the Company's supply chain, costs, sales or profitability are negatively affected by the tariffs or other trade actions, the Company's business, financial condition and results of operations may be materially adversely affected.
- The Company licenses trademarks and brands through various agreements with third parties. The inability to renew or replace any trademark, brand, or character mark could have a significant impact on sales.
- The Company currently uses distribution centers, which serve as the source of replenishment of inventory for stores and serve wholesale operations. If complications arise with any of the operating distribution centers or distribution centers are severely damaged or destroyed, other distribution centers may not be able to support the resulting additional distribution demands and the Company may be unable to locate alternative persons or entities capable of doing so. This may adversely impact the Company's ability to deliver inventory on a timely basis.
- The profitability of the Company's Latin America operations is dependent on, among other things, foreign currency exchange rates and the prices of commodities used to make and transport their products, as well as labor prices. Any meaningful fluctuation in any of these items may have a material impact on the Company's financial results.
- A majority of the Company's operating expenses are fixed costs that are not directly dependent on retail sales performance. If retail sales decline, the Company may be unable to reduce or offset these fixed operating expenses in the short term.
- Any significant delay in the Assumed Effective Date may have significant adverse impacts on the operations and financial performance of the Company including, but not limited to, an increased risk or inability to meet sales forecasts and the incurrence of greater reorganization expenses.
- The stigma with having filed for relief under chapter 11 of the Bankruptcy Code may cause the Company to experience a variety of adverse effects, including without limitation, a decline in sales and significant attrition at various levels of employees, including Management. These effects may have an adverse impact on the Company's financial performance.
- The Company may experience unforeseen procedural issues preventing the Company from repatriating cash from foreign jurisdictions on the timeline originally projected.
- The cost and timing of winding down legal entities may differ from current assumptions.
- The Plan may not be confirmed or may not be confirmed within the timeframe contemplated.
- The Company may experience extensive post-emergence litigation related to prepetition Claims and/or Plan implementation, resulting in increased professional fees.
- The Financial Projections incorporate the Company's planned sales and cost initiatives, as well as operational restructuring activities including an IT system overhaul and organizational changes. The Company may be unable to execute or may only partially realize certain or all of these initiatives and activities due to factors that may be beyond the control of the Company. Not realizing such initiatives or activities may have a material impact on the financial results.
- Upon emergence, the Debtors will be required to determine the amount by which its reorganization value as of the Effective Date exceeds, or is less than, the fair value of its assets as of the Effective Date. Such determination will be based upon the fair value at that time, which may be based on, among other things, a different methodology than what is reflected within the Financial Projections. In any event, such valuation, as well as the determination of the fair value of the Debtors' assets and liabilities, will be made as of the Effective Date. The differences between the amounts of any or all of the foregoing items as assumed in the Financial Projections and the actual amounts thereof as of the effective Date may be material.

- The final tax refund calculations or timing of such refunds may vary from estimates contained in the Financial Projections.

THE INDEPENDENT AUDITOR FOR THE COMPANY HAS NOT EXAMINED, COMPILED, OR OTHERWISE PERFORMED ANY PROCEDURES ON THE FOLLOWING PROSPECTIVE FINANCIAL INFORMATION AND, CONSEQUENTLY, DOES NOT EXPRESS AN OPINION OR ANY OTHER FORM OF ASSURANCE WITH RESPECT TO THE PROSPECTIVE FINANCIAL INFORMATION.

UNAUDITED PROJECTED INCOME STATEMENT

(\$ in 000s)

	Fiscal Year Totals				Notes
	FY 2019 Nov-Jan	FY 2020	FY 2021	FY 2022	
Total Revenue	12,783	46,233	51,592	55,704	[1]
Cost of Goods Sold (Amazon)	1,766	6,309	7,887	9,070	[2]
Gross Profit	11,017	39,924	43,705	46,635	
Total Operating Expenses	6,957	26,921	29,405	31,581	[3]
Adjusted EBITDA	4,061	13,003	14,300	15,053	
Depreciation & Amortization	723	3,042	3,062	3,014	[4]
Non-Operating Expense (net)	3,184	10,461	34	-	[5]
EBIT	154	(500)	11,204	12,039	
Interest Expense	2,898	12,102	12,980	13,942	[6]
EBT	(2,743)	(12,602)	(1,776)	(1,903)	
Income Taxes	-	297	738	616	[7]
Net Income	(2,743)	(12,899)	(2,514)	(2,519)	
<u>Latin America</u>					
Stores	422	433	446	460	
Revenue	\$119,319	\$364,607	\$374,072	\$384,186	
Gross Margin	55,281	173,344	181,434	188,056	
Adjusted EBITDA	18,303	31,592	36,020	38,248	

Note: The above FY2019 data represents the post-emergence period from October 31, 2019 – February 2, 2020.

Note: Amazon projected revenues of \$16.1 million in FY 2020, \$20.1 million in FY 2021 and \$23.1 million in FY 2022.

UNAUDITED PROJECTED BALANCE SHEET

(\$ in 000s)	Fiscal Year End				Notes
	FY2019	FY 2020	FY 2021	FY 2022	
ASSETS					
Cash	18,494	19,596	27,311	36,058	[8]
Third Party A/R	5,836	6,671	7,320	8,152	[9]
Affiliate A/R	18,308	18,087	18,265	18,245	[9]
Inventory	1,417	1,549	1,837	2,376	[9]
Prepaid Exp & Other Current Assets	2,584	2,780	3,068	3,315	[9]
Total Current Assets	51,585	48,682	57,801	68,145	
Property & Equipment	4,744	5,398	5,161	4,832	[10]
Goodwill and Other Intangible Assets	76,826	74,838	72,850	70,862	[11]
Deferred Income Tax Asset	4,400	4,400	4,400	4,400	
Other Long Term Assets	10,000	5,000	5,000	5,000	[12]
Total Long Term Assets	95,971	89,636	87,411	85,093	
TOTAL ASSETS	142,609	138,318	145,212	153,239	
LIABILITIES & EQUITY					
Third Party A/P	17,883	17,702	17,797	18,021	[9]
Affiliate A/P	5,482	6,347	6,900	7,686	[9]
Accrued Expenses	2,067	2,224	2,455	2,652	
Other Current Liabilities	398	438	494	538	
Total Debt	115,723	123,448	131,922	141,217	[13]
Deferred Income Tax Liability	1,700	1,700	1,700	1,700	
Other Long Term Liabilities	2,100	2,100	2,100	2,100	
TOTAL LIABILITIES	145,352	153,960	163,368	173,914	
Equity					
Shareholders' Equity	(2,743)	(15,642)	(18,156)	(20,675)	
Total Equity	(2,743)	(15,642)	(18,156)	(20,675)	
TOTAL LIABILITIES & EQUITY	142,609	138,318	145,212	153,239	

UNAUDITED PROJECTED STATEMENT OF CASH FLOWS

(\$ in 000s)	Fiscal Year Totals				Notes
	FY 2019 Nov-Jan	FY 2020	FY 2021	FY 2022	
OPERATING CASH FLOW					
Net Income	(2,743)	(12,899)	(2,514)	(2,519)	
Depreciation & Amortization	723	3,042	3,062	3,014	
PIK Interest	1,823	7,726	8,474	9,295	
Changes in Working Capital	(538)	4,940	(469)	(346)	[14]
Total Operating Cash Flow	(736)	2,808	8,552	9,443	
INVESTING CASH FLOW					
Capital Expenditures	(770)	(1,707)	(837)	(696)	[15]
Total Investing Cash Flow	(770)	(1,707)	(837)	(696)	
FINANCING CASH FLOW					
Debt Issuance / (Repayments)	-	-	-	-	
Total Financing Cash Flow	-	-	-	-	
BoP Cash Balance	20,000	18,494	19,596	27,311	
Change in Cash	(1,506)	1,102	7,715	8,747	
EoP Cash Balance	18,494	19,596	27,311	36,058	

Note: The above FY2019 data represents the post-emergence period from October 31, 2019 – February 2, 2020.

NOTES TO FINANCIAL PROJECTIONS

Note 1 – Sales

The Financial Projections are based on Management's view of the Company's market position, current operational factors and overall economic outlook. Sales consist of royalty revenue and fees from Latin America and Franchising as well as revenue from Amazon operations. Sales with respect to Latin America reflect L&T fees (royalties) and Sourcing fees earned by the Company as a result of services that it provides to Latin America and are not consolidated to include the sales results of the Latin America subsidiary. Sales for Amazon transactions are recognized when title passes and the risks or rewards of ownership have transferred to the customer based on the shipping terms, the price is fixed and determinable, and collectability is reasonably assured.

Note 2 – Cost of Sales

Cost of sales includes the cost of merchandise sold through Amazon and the Company's buying, occupancy, warehousing, product development, and product movement costs.

Note 3 – Operating Expenses

Operating expenses consist of payroll and related, information technology; Asia sourcing; Mexico sourcing; corporate occupancy; franchise related marketing, travel training and development; Amazon related costs; legal services; tax consulting services; intellectual property registrations; audit fees; HR and payroll services and administrative expenses.

Note 4 – Depreciation and Amortization

Depreciation is associated with buildings, leasehold improvements, furniture, fixtures and equipment, and property under capital leases and is determined on a straight-line basis over the estimated useful life of the assets. Amortization is associated with intangible assets. The Debtors' depreciation and amortization are subject to material change based on accounting treatment of the Debtors' financials upon emergence.

Note 5 – Non-Operating Income / Expense

Non-Operating Income consists of revenue from the Company's USVI stores through FY2019. Non-Operating Expenses consist of legacy IT expenses, professional services and expenses related to legal entity closures and changes, an office move, expenses from the Company's USVI stores through FY 2019 and other.

Note 6 – Interest Expense

Interest expense is primarily based upon interest associated with the New Term Loan Facility and CA Management Loan. The interest rate for the New Term Loan Facility is assumed to 8% for the Tranche A and 5% cash pay / 8% PIK for the Tranche B. Interest on the facility accrues and is paid quarterly. The interest rate for the CA Management Term Loan is assumed to be 10% annually. Interest expense for CA Management Loan accrues monthly and is presented as being paid-in-kind quarterly.

Note 7 – Income Taxes

The Company is not projected to be federal cash tax payers based on the anticipated capital structure and tax attribute reduction as a result of the Chapter 11 Cases for fiscal years 2019 and 2020. Thereafter, the Company is projected to pay cash taxes at the marginal rate. In fiscal years 2020, 2021 and 2022, the Company expects to pay approximately \$300,000, \$700,000 and \$600,000 respectively for foreign, state and federal income taxes.

Note 8 – Cash and Cash Equivalents

The Company considers cash equivalents to consist of liquid investments with an original maturity of three months or less.

Note 9 – Working Capital Accounts

The Financial Projections assume third-party A/R balance from for the Franchise and Amazon business units, that the merchandise intercompany balance between the Company and Latin America at emergence will net to zero and assume Affiliate A/R thereafter from Latin America, inventory balances related to the Amazon business unit only, prepaid and accrued expenses and other current assets and liabilities perform according to a proforma balance related to SG&A, third party A/P reflects estimates of trade payables, and Affiliate A/P reflects estimates of trade payables to the Asia entities. Substantially all of the Company's inventories are finished goods.

Note 10 – Other Long-Term Assets

Other Long-Term Assets is composed of \$10 million of restricted cash being used to collateralize letters of credit, \$5 million of which is projected to be released in fiscal year 2020.

Note 11 – PP&E, Net

Property, plant, and equipment ("PP&E") is composed of buildings, leasehold improvements, furniture, fixtures and equipment, and property under capital leases. The Debtors' PP&E is subject to material change based on accounting treatments of the Debtors' financials upon emergence.

Note 12 – Goodwill and Intangible Assets

Intangible assets consist of, trademarks, customer contracts and relationships, and other intangible assets. The Debtors' goodwill and intangible assets included in the Financial Projections are estimated and subject to material change, including based on the potential implementation of fresh start accounting in connection with emergence.

Note 13 – Third Party Debt

Third Party debt consists of (i) the New Exit Term Loan Facility, which is composed of a \$35 million Tranche A and a \$30 million Tranche B and (ii) the CA Management Loan with principal at emergence of \$49 million.

Note 14 – Net Changes in Working Capital

Net changes in working capital are driven by changes in accounts receivable (net), inventory, prepaid expenses, accounts payable, accrued expenses, and other liabilities.

Note 15 – Capital Expenditures

Capital expenditures largely driven by installation and maintenance of new IT systems for Franchise, Amazon and Asia.

Exhibit E

Liquidation Analysis

LIQUIDATION ANALYSIS FOR PAYLESS HOLDINGS LLC, *et al.*

I. INTRODUCTION

Under the “best interests” of creditors test set forth by section 1129(a)(7) of the Bankruptcy Code, the Bankruptcy Court may not confirm a plan of reorganization unless the plan provides each holder of a claim or interest who does not otherwise vote in favor of the plan with property of a value, as of the effective date of the plan, that is not less than the amount that such holder would receive or retain if the debtor were liquidated under chapter 7 of the Bankruptcy Code. See 11 U.S.C. § 1129(a)(7). Accordingly, to demonstrate that the proposed plan satisfies the “best interests” of creditors test, the Debtors, with assistance from their advisors, have prepared the following hypothetical liquidation analysis presenting recoveries available assuming a hypothetical liquidation (the “Liquidation Analysis”) which is based upon certain assumptions discussed in the Disclosure Statement and in the accompanying notes to the Liquidation Analysis.

All capitalized terms used but not otherwise defined herein shall have the meanings ascribed to them in the *Disclosure Statement for the Debtors’ First Amended Joint Plan of Reorganization of Payless Holdings LLC and its Debtor Affiliates Pursuant to Chapter 11 of the Bankruptcy Code* (the “Disclosure Statement”) to which the Liquidation Analysis is attached.

Statement of Limitations

The determination of the costs of, and proceeds from, the hypothetical liquidation of the Debtors’ assets in a chapter 7 case is an uncertain process involving the extensive use of significant estimates and assumptions that, although considered reasonable by the Debtors based upon their business judgment and input from their advisors, are inherently subject to significant business, economic, and competitive uncertainties and contingencies beyond the control of the Debtors, their management and their advisors. Inevitably, some assumptions in the Liquidation Analysis would not materialize in an actual chapter 7 liquidation, and unanticipated events and circumstances could materially affect the ultimate results in an actual chapter 7 liquidation. The Liquidation Analysis was prepared for the sole purpose of generating a reasonable good faith estimate of the proceeds that would be generated if the Debtors’ assets were liquidated in accordance with chapter 7 of the Bankruptcy Code. The Liquidation Analysis is not intended and should not be used for any other purpose. The underlying financial information in the Liquidation Analysis was not compiled or examined by independent accountants in accordance with standards promulgated by the American Institute of Certified Public Accountants.

NEITHER THE DEBTORS NOR THEIR ADVISORS MAKE ANY REPRESENTATION OR WARRANTY THAT THE ACTUAL RESULTS WOULD OR WOULD NOT APPROXIMATE THE ESTIMATES AND ASSUMPTIONS REPRESENTED IN THE LIQUIDATION ANALYSIS. ACTUAL RESULTS COULD VARY MATERIALLY.

THE LIQUIDATION ANALYSIS IS A HYPOTHETICAL EXERCISE THAT HAS BEEN PREPARED FOR THE SOLE PURPOSE OF PRESENTING A REASONABLE GOOD FAITH ESTIMATE OF THE PROCEEDS THAT WOULD BE REALIZED IF THE DEBTORS WERE LIQUIDATED IN ACCORDANCE WITH CHAPTER 7 OF THE BANKRUPTCY CODE AS OF THE PLAN EFFECTIVE DATE. THE LIQUIDATION ANALYSIS IS NOT INTENDED AND SHOULD NOT BE USED FOR ANY OTHER PURPOSE. THE LIQUIDATION ANALYSIS DOES NOT PURPORT TO BE A VALUATION OF THE DEBTORS' ASSETS AS A GOING CONCERN, AND THERE MAY BE A SIGNIFICANT DIFFERENCE BETWEEN THE LIQUIDATION ANALYSIS AND THE VALUES THAT MAY BE REALIZED OR CLAIMS GENERATED IN AN ACTUAL LIQUIDATION.

NOTHING CONTAINED IN THE LIQUIDATION ANALYSIS IS INTENDED TO BE, OR CONSTITUTES, A CONCESSION, ADMISSION, OR ALLOWANCE OF ANY CLAIM BY THE DEBTORS. THE ACTUAL AMOUNT OR PRIORITY OF ALLOWED CLAIMS IN THE CHAPTER 11 CASES COULD MATERIALLY DIFFER FROM THE ESTIMATED AMOUNTS SET FORTH AND USED IN THE LIQUIDATION ANALYSIS. THE DEBTORS RESERVE ALL RIGHTS TO SUPPLEMENT, MODIFY, OR AMEND THE ANALYSIS SET FORTH HEREIN.

Basis of Presentation

The Liquidation Analysis is based on estimated asset and liability values as of November 1, 2019 (except as otherwise indicated). As noted above, the actual assets available to the Debtors' estates and claims arising in the event of an actual liquidation may differ from the assets assumed to be available pursuant to the Liquidation Analysis.

The Debtors have neither fully evaluated claims filed against the Debtors or adjudicated such claims before the Bankruptcy Court. Accordingly, the amount of the final Allowed Claims against the Debtors' estates may differ from the claim amounts used in the Liquidation Analysis.

In preparing the Liquidation Analysis, the Debtors estimated Allowed Claims based upon a review of the Debtors' financial statements to account for other known liabilities, as necessary. In addition, the Liquidation Analysis includes estimates for claims not currently asserted in the chapter 11 cases, but which could be asserted and allowed in a chapter 7 liquidation, including unpaid chapter 11 administrative claims, and chapter 7 administrative claims such as wind-down costs, and trustee fees. To date, the Bankruptcy Court has not estimated or otherwise fixed the total amount of Allowed Claims used for purposes of preparing the Liquidation Analysis. Therefore, the Debtors' estimate of Allowed Claims set forth in the Liquidation Analysis should not be relied on for any other purpose, including determining the value of any distribution to be made on account of Allowed Claims and Interests under the Plan.

Conversion Date and Appointment of a Chapter 7 Trustee

The Liquidation Analysis has been prepared assuming that the Debtors converted their cases from chapter 11 cases to chapter 7 cases on or about November 1, 2019 (the “Conversion Date”). Except as otherwise noted herein, the Liquidation Analysis is based upon the unaudited balance sheets of the Debtors as estimated as of November 1, 2019. On the Conversion Date, it is assumed that the Bankruptcy Court would appoint a chapter 7 trustee to oversee the liquidation of the Debtors’ estates, during which time all of the Debtors’ major assets would be sold or surrendered to the respective lien holders, and the cash proceeds, net of liquidation-related costs, would then be distributed to creditors in accordance with relevant law. There can be no assurance that the liquidation would be completed in a limited time frame, nor is there any assurance that the recoveries assigned to the assets would in fact be realized. Under section 704 of the Bankruptcy Code, a trustee must, among other duties, collect and convert the property of the estate as expeditiously (generally at distressed prices) as is compatible with the best interests of parties in interest. In addition, there is a significant likelihood, and therefore it is assumed, that each of the Debtors’ direct and/or indirect foreign Non-Debtor affiliates, except for the Latin America affiliates, would commence insolvency proceedings under their respective local foreign jurisdictions because of the wind-down of the Debtors. The Debtors’ interest in the Latin America affiliates is assumed to be sold through a rapid sale to buyers who would also take over the costs of the Debtors’ data center and certain functions in the U.S. to allow for continuing operations. Implementation of a Latin American sale in a manner that would be viable would be extremely challenging; however, management elected to use this scenario for the Liquidation Analysis as it conservatively provides the maximum possible unencumbered recoveries by the Chapter 7 trustee.

Deconsolidated Liquidations

The Liquidation Analysis assumes that the Debtors would be liquidated in a jointly administered, but not substantively consolidated proceeding. Therefore, the Liquidation Analysis considers an entity-by-entity liquidation for both domestic and international operations. The Liquidation Analysis takes into account administrative priority status of intercompany claims arising post-petition, unsecured pre-petition intercompany claims, and the equity interests of each parent and subsidiary relationship. In an iterative and sequential fashion, the Liquidation Analysis assumes that liquidation value is cycled among the Debtors and Non-Debtor affiliates to satisfy these intercompany claims and interests. The Liquidation Analysis indicates there is no recovery to any General Unsecured Claims at any of the Debtors.

Values

Unless otherwise stated, the Liquidation Analysis is based on estimated net book value (“NBV”) as of the Conversion Date. Estimated NBV for certain assets was projected by rolling forward certain of the unaudited NBV for the Debtors based on the Debtors’ cash flow and other financial projections. Certain recoveries in this Liquidation Analysis may be greater than NBV because certain assets are recorded on the Debtors’ books and records at amounts that are lower than estimated market values for such assets.

Additional Global Notes and Assumptions

The Liquidation Analysis should be read in conjunction with the following global notes and assumptions:

1. *Additional unsecured claims.* The cessation of business in a liquidation is likely to trigger certain claims that otherwise would not exist under a plan absent a liquidation. Examples of these kinds of claims include various potential employee claims (for such items as severance and potential WARN Act claims), tax liabilities, claims related to the rejection of unexpired leases (*i.e.*, real and personal property) and executory contracts, and other potential Allowed Claims. These additional claims could be significant and some will be entitled to priority in payment over General Unsecured Claims. Those priority claims likely would need to be paid in full from the liquidation proceeds before any balance would be made available to pay General Unsecured Claims or to make any distribution in respect of equity interests. No adjustment has been made for these potential claims.

2. *Significant dependence on unaudited financial statements.* The Liquidation Analysis contains numerous estimates. Proceeds available for recovery are based upon the unaudited financial statements and balance sheets of the Debtors as projected as of the Conversion Date, unless otherwise noted herein.

3. *Chapter 7 liquidation costs and length of liquidation process.* The Debtors have assumed that liquidation would occur over approximately 12 months in order to pursue orderly sales of substantially all remaining assets and collect receivables, as well as to arrange distributions and otherwise administer and close the estates. In an actual liquidation, the wind-down process and time-period could vary significantly, thereby impacting recoveries. For example, the potential for priority, contingent, and other claims, litigation, rejection costs, and delays in the final determination of Allowed Claims could substantially impact both the timing and amount of the distribution of the asset proceeds to creditors. Accordingly, there can be no assurance that the values reflected in the Liquidation Analysis would be realized if the Debtors were, in fact, to undergo such a liquidation.

Pursuant to section 726 of the Bankruptcy Code, the allowed administrative claims incurred by the chapter 7 trustee, including expenses affiliated with selling the Debtors' assets, will be entitled to payment in full prior to any distribution to chapter 11 Administrative Claims and Other Priority Claims. The estimate used in the Liquidation Analysis for these expenses include estimates for operational expenses and certain legal, accounting, and other professionals, as well as an assumed 3% fee based upon liquidated assets payable to a chapter 7 trustee. Since the majority of the net proceeds of the liquidation of non-cash assets would be for the benefit of holders of the pre-petition term loan claims, it is assumed that chapter 7 administrative and other priority claims, post-conversion operational expenses and professional fees, and chapter 7 trustee fees are entitled to payment in full prior to any distribution to holders of the pre-petition term loan claims. Parties, however, may dispute that allocation of costs.

4. *Distribution of net proceeds.* Chapter 11 Administrative Claim amounts and Priority Claim amounts, professional fees, trustee fees, and other such claims that may arise in a liquidation scenario would be paid in full from the liquidation proceeds before the balance of any proceeds will be made available to pay General Unsecured Claims. Under the absolute priority rule, no junior creditor at a given entity would receive any distribution until all senior creditors are paid in full at such entity, and no equity holder at such entity would receive any distribution until all creditors at such entity are paid in full. The assumed distributions to creditors as reflected in the Liquidation Analysis are estimated in accordance with the absolute priority rule.

5. *Certain exclusions and assumptions.* The Liquidation Analysis does not include detailed estimates for the tax consequences that may be triggered upon the liquidation and sale events included in the analysis. Such tax consequences may be material. In particular, if the cases were to be converted to Chapter 7 liquidation, the Debtors' multiple excess loss accounts would likely be recognized and recoveries, if any, to unsecured creditors would be eliminated due to the substantial tax liabilities resulting from recognition of the excess loss accounts. For further information, refer to Section IX.B.3 ("CERTAIN U.S. FEDERAL INCOME TAX CONSEQUENCES OF THE PLAN – B. Consequences to the Debtors and Reorganized Debtors – 3. Excess Loss Accounts") of the Disclosure Statement.

II. CONCLUSIONS

THE DEBTORS HAVE DETERMINED, AS SUMMARIZED IN THE FOLLOWING ANALYSIS, THAT CONFIRMATION OF THE PLAN WILL PROVIDE CREDITORS WITH A RECOVERY THAT IS NOT LESS THAN WHAT THEY WOULD OTHERWISE RECEIVE IN CONNECTION WITH A LIQUIDATION OF THE DEBTORS UNDER CHAPTER 7 OF THE BANKRUPTCY CODE.

SUMMARY OF ESTIMATED RECOVERIES FOR CLAIMS AND INTERESTS

Summary of Debtors' Estimated Third Party Recoveries

Claims (\$ in millions)	Balance (\$)	Lower		Higher	
		Recovery (\$)	Recovery (%)	Recovery (\$)	Recovery (%)
Secured Claims					
Prepetition Term Loan Recovery from Debtor Entities	\$ 291.1	\$ 71.2	24%	\$ 92.0	32%
Prepetition Term Loan Recovery from Non-Debtor Entities	291.1	0.6	0%	9.6	3%
Total Secured Claims	291.1	71.8	25%	101.7	35%
Third Party Administrative Claims					
Third Party Administrative Claims	11.1	0.1	1%	1.7	15%
503(b)(9) Claims	1.0	0.0	1%	0.2	15%
Unpaid Chapter 11 Professional Fees	4.5	0.1	1%	0.7	15%
Total Third Party Administrative Claims	16.6	0.2	1%	2.5	15%
Third Party General Unsecured Claims					
Liabilities Subject to Compromise	204.4	-	0%	-	0%
Lease Rejections	112.1	-	0%	-	0%
Term Loan Deficiency	219.3	-	0%	-	0%
Total Third Party General Unsecured Claims	535.8	-	0%	-	0%

Notes:

1. The term loan deficiency balance shown represents the deficiency claim in the lower asset recovery scenario. The term loan deficiency balance in the higher asset recovery scenario is \$189.4 million.

III. LIQUIDATION ANALYSIS RESULTS

The following presents the combined results for the hypothetical liquidation of the Debtors.

Assets / Claims (\$ in millions)	Balance (\$)	Lower		Higher	
		Value (\$)	Recovery (%)	Value (\$)	Recovery (%)
ASSETS					
Cash and Cash Equivalents	34.6	34.6	100%	34.6	100%
Restricted Cash	33.6	10.0	30%	10.0	30%
Accounts Receivable	2.1	1.7	85%	2.0	95%
Inventory	2.3	1.8	80%	2.3	100%
Prepaid Expenses	9.4	0.1	1%	0.2	2%
Other Current Assets	2.0	0.7	35%	1.0	51%
Property and Equipment	4.8	0.6	13%	1.1	23%
Intangible Assets	57.6	26.5	46%	44.1	77%
Other Long Term Assets	4.6	0.2	4%	0.4	8%
Other Assets	1.4	1.4	100%	2.1	150%
Intercompany Receivables	3,843.4	5.8	0%	9.4	0%
Investments in Subsidiaries		0.1		4.9	
Total Encumbered Assets / Proceeds		81.0		104.5	
Total Unencumbered Assets / Proceeds		2.5		7.6	
Less: Chapter 7 Costs		(10.0)		(12.8)	
Net Encumbered Proceeds Available for Distribution		71.2		92.0	
Net Unencumbered Proceeds Available for Distribution		2.4		7.3	
RECOVERIES					
Less: Secured Claims					
Prepetition Term Loan	(291.1)	(71.2)	24%	(92.0)	32%
Total Secured Claims	(291.1)	(71.2)	24%	(92.0)	32%
Remaining Distributable Value		2.4		7.3	
Less: Administrative Claims					
Third-Party Administrative Claims	(11.1)	(0.1)	1%	(1.7)	15%
503(b)(9) Claims	(1.0)	(0.0)	1%	(0.2)	15%
Unpaid Chapter 11 Professional Fees	(4.5)	(0.1)	1%	(0.7)	15%
Intercompany Debt Payables (Post-Petition)	(21.7)	(0.0)	0%	(0.0)	0%
Intercompany Trade Payables (Post-Petition)	(456.1)	(2.1)	0%	(4.7)	1%
Total Administrative Claims	(494.4)	(2.4)	0%	(7.3)	1%
Remaining Distributable Value		-		-	
Less: General Unsecured Claims					
Liabilities Subject to Compromise	(204.4)	-	0%	-	0%
Lease Rejections	(112.1)	-	0%	-	0%
Term Loan Deficiency	(219.3)	-	0%	-	0%
Intercompany Debt Payables (Pre-Petition)	(1,154.9)	-	0%	-	0%
Intercompany Trade Payables (Pre-Petition)	(2,533.9)	-	0%	-	0%
Total General Unsecured Claims	(4,224.6)	-	0%	-	0%
Remaining Distributable Value		-		-	

Notes:

1. The term loan deficiency balance shown represents the deficiency claim in the lower asset recovery scenario. The term loan deficiency balance in the higher asset recovery scenario is \$189.4 million.

IV. GENERAL ASSUMPTIONS AND NOTES FOR PROCEEDS AVAILABLE FOR DISTRIBUTION

1. For the Liquidation Analysis, the Latin America legal entities have been consolidated to include all entities underneath Collective Brands Coopertief U.A. with the exception of Payless International Finance BV and Payless ShoeSource Spain Licensing SL (“Latin America Consolidated”).
2. For the Liquidation Analysis, Collective Brands Logistics, Limited and Payless Asia Sourcing have been consolidated into one legal entity, “CBLL / Payless Asia Sourcing Consolidated.” As a result, the Payless Asia Sourcing ownership has been adjusted so that Collective Brands Logistics, Limited has 100% ownership and Payless Sourcing LLC has no ownership.
3. For the original Debtors, the pre-petition intercompany amounts were calculated using the intercompany balances as of February 18, 2019 and intercompany balances as of Period 6 (fiscal month ended July 2019) to estimate balances as of Conversion Date. For CBLL / Payless Asia Sourcing Consolidated, the pre-petition intercompany amounts were calculated using the intercompany balances as of Period 5 (fiscal month ended June 2019) and intercompany balances as of Period 6 (fiscal month ended July 2019) to estimate balances as of Conversion Date.

ASSET RECOVERIES:

4. Cash and Cash Equivalents

The Liquidation Analysis utilizes the Debtors’ estimated cash balance of \$34.6 million, based on the cash flow projections as of the Conversion Date. Other cash and cash equivalents on hand at Non-Latin American affiliate entities is \$2.5 million and are assumed to be recoverable at 98% to 100% of the total balance as of the Conversion Date. Cash at Dynamic Assets Limited reflects normalized operating cash levels as of the Conversion Date.

Additionally, there is \$33.6 million in restricted cash related to letters of credit at Payless Finance, Inc. It is assumed that \$10 million will be recoverable.

5. Accounts Receivable

Estimated proceeds from accounts receivable balances (exclusive of intercompany balances), which consist primarily of credit card and trade receivables, as of the Conversion Date, are assumed to be recoverable between 85% and 95% of net book value. These assumed recovery rates are based on the Debtors' ability to collect on accounts receivable, taking into consideration the credit quality, aging of the accounts and any disputed amounts. Additionally, despite historically low write-downs on accounts receivable, there is inherent risk and difficulty in collecting receivables, which may require certain concessions to facilitate recovery. Ceasing all operations would terminate various contracts and business relationships, which may also impact collection of receivables.

6. Inventory

For the Liquidation Analysis, the balances for this asset category have been rolled forward to the Conversion Date. It is assumed that any inventory purchased for the Latin American operations but still owned by the Debtors will transfer to these operations as part of the sale of the Debtors' ownership interest in such operations. As a result, the only inventory available to be recovered is the Amazon inventory at Payless ShoeSource, Inc and inventory for the franchise business at Dynamic Assets Limited. This inventory is assumed to be recoverable at 80% to 100% of the net book value.

7. Prepaid Expenses

The Debtors have prepaid certain expenses, including but not limited to: insurance, services, retainer deposits, and other miscellaneous deposits. The Liquidation Analysis assumes that prepaid amounts and deposits will be consumed during the liquidation period, offset against potential liabilities, or otherwise deemed non-recoverable. The Liquidation Analysis assumes recovery rates of between 1% and 2% of net book value.

8. Other Current Assets

Other current assets (exclusive of intercompany balances) include duty drawback, prepaid taxes, credit card deposits, and miscellaneous receivables, and are assumed to be recoverable between 35% and 51% of net book value.

Consolidated (Debtor / Non-Debtor)
(\$ in millions)

Subcategory	Estimated Net Book Values (\$)	Total Estimated Recovery (\$)		Total Estimated Recovery (%)	
		Lower	Higher	Lower	Higher
Duty and VAT	0.8	0.4	0.5	52%	65%
International Miscellaneous Receivables	0.1	-	-	0%	0%
Credit Card Deposits	1.0	0.5	0.8	50%	80%
Other Current Assets	0.7	0.0	0.0	1%	3%
Total Other Current Assets	2.6	0.9	1.3	35%	51%

9. Property and Equipment

For the Liquidation Analysis, the balances for this asset category represent remaining assets after the liquidation of the North American store base. As a result, the only significant property and equipment available to be recovered include IT equipment in the datacenter, one store (land and property) and the furniture, fixtures and equipment at Payless ShoeSource Worldwide, Inc.

The datacenter is assumed to be sold as part of the sale of the Debtors' ownership interest in the Latin American operations. The store is assumed to be recoverable at approximately \$400 thousand to \$600 thousand at Payless ShoeSource, Inc. based on a previous offer. The furniture, fixtures and equipment are assumed to be recoverable at approximately \$200 thousand to \$500 thousand at Payless ShoeSource Worldwide, Inc.

10. Intangible Assets

Intellectual property owned by the Debtors is comprised of 1) Payless trademarks registered in the United States and globally, 2) Payless copyrights, patents and domain names, 3) trade names and perpetual paid up licenses to use certain brands (collectively, the "Debtors' I/P").

The net recoverable value of the Debtors' I/P is based on a liquidation analysis with an indicative value range of \$26 million to \$44 million. The liquidation analysis assumes a rapid sale value and was developed using a multiple of earnings approach based on royalties.

Management assumed there is no recoverable value to the customer contracts for the Liquidation Analysis as these balances relate to franchise agreements that would be rejected during the winddown.

11. Other Long Term Assets

Other long term assets (exclusive of intercompany balances) consist of rent and utility deposits and miscellaneous contract deposits and receivables. These assets are assumed to be recoverable between 4% and 8% of book value, with the recoveries coming from prepaid contracts and other receivables.

Consolidated (Debtor / Non-Debtor)
(\$ in millions)

Subcategory	Estimated Net Book Values (\$)	Total Estimated Recovery (\$)		Total Estimated Recovery (%)	
		Lower	Higher	Lower	Higher
Deposits - Rent and Utilities	1.1	-	-	0%	0%
Other Long Term Assets	3.6	0.2	0.4	5%	10%
Total Other Long Term Assets	4.7	0.2	0.4	4%	8%

12. Other Assets

\$1.4 million to \$2.1 million of proceeds were included for estimated recoveries from claims related to certain litigation.

13. Intercompany Receivables

Intercompany receivables include intercompany trade and intercompany debt between Debtors and between Debtors and Non-Debtors. Intercompany receivable activity is separated between pre- and post-petition amounts and setoff rights have been applied on the same basis.

Pre-petition intercompany receivables include net pre-petition intercompany trade and net intercompany debt. Such amounts are recovered based on available value in the Non-Debtor entities, when owed by a Non-Debtor entity, or treated as general unsecured claims if owed by a Debtor entity.

Post-petition intercompany receivables include net post-petition intercompany trade and net intercompany debt. Such amounts are recovered based on available value in the Non-Debtor entities, when owed by a Non-Debtor entity, or treated as chapter 11 administrative claims when owed by a Debtor entity.

Recoverable value for the intercompany trade payable due from Collective Franchising, Ltd and due to Dynamic Assets Limited is subordinated to a senior intercompany payable due from Collective Franchising, Ltd and due to Payless Finance, Inc. in the projected amount of \$8.6 million.

14. Investment in Subsidiaries

Management assumed the foreign affiliates of the Debtors ("Foreign Affiliates"), with the exception of the Latin American affiliates, would commence wind-downs as of the Conversion Date.

The Debtors' interest in the Latin America affiliates is assumed to be sold through a rapid sale to buyers who also take over the costs of the Debtors' data center and certain functions in the U.S. to allow for continuing operations. It is assumed that any outstanding chapter 11 trade administrative claims that relate to Latin American inventory are assumed by Latin America and that such inventory is then owned by Latin America, and that any net intercompany receivables or payables between the Debtors and the Latin America affiliates are terminated as part of the sale.

The Foreign Affiliates have operations located within Latin America, Europe and Asia. The assumption is that the Foreign Affiliates, with the exception of the Latin American affiliates, would not have the infrastructure nor capabilities to operate their businesses as the Debtors wound-down over the liquidation period. The recoverable value for the Debtors' interest in its Foreign Affiliates is through (a) the net intercompany balances owed to the Debtors and (b) the Debtors' equity interests in the Foreign Affiliates. Net liquidation proceeds were first allocated to claims (i.e., third-party claims, intercompany debt, intercompany payables) then as distributions to the joint venture partners and then the remaining proceeds, if any, were allocated to investment in subsidiaries. Based on the equity pledges that are limited under the Pre-petition Term Loan Credit Agreement to 65% of the value of certain first-tier foreign subsidiaries, 65% of available proceeds of the equity interests of such first-tier foreign subsidiaries collateral are assets distributed to the Pre-petition Lenders and the residual 35% of available proceeds constitute unencumbered assets and are distributed in accordance with the priority waterfall. Note, the intercompany claims are pledged as collateral to the Pre-petition Term Loan.

15. Latin America Liquidation Value

The net recoverable value of the Debtors' Latin America interest is based on a liquidation analysis that assumes a rapid sale and was developed using a multiple of earnings approach. The liquidation analysis indicates a lower value of \$0 million and a higher valuation of \$14 million after taking into effect the paydown of the CA Management loan.

16. Avoidance Actions

For purposes of the Liquidation Analysis, no values have been ascribed to any potential avoidance actions. Any amounts recovered in a liquidation ascribed to avoidance actions would be paid first to holders of Administrative and Priority Claims and then to holders of General Unsecured Claims, if any, against the Debtor entity that made the avoided transfer.

CHAPTER 7 COSTS:

Costs specifically related to the liquidation of individual assets and all other costs associated with the liquidation are included in chapter 7 costs. The chapter 7 costs include the following:

17. Trustee Fees

Trustee fees include all fees paid to the chapter 7 trustee by each Debtor, consistent with the fee structure set forth in the Bankruptcy Code. The chapter 7 trustee fee is estimated at 3% of all gross asset proceeds, excluding cash.

18. Professional Fees

Professional fees include costs for a financial advisor and an attorney retained by the chapter 7 trustee in connection with the wind-down of the estates (e.g., sale of Latin America, liquidation and recovery of assets, claims reconciliation and other litigation, etc.). Professional fees are estimated at approximately \$4.5 million for the liquidation period, based on average estimated fees of approximately \$375 thousand per month during the wind-down period. In addition, \$1.5 million of professional fees were estimated for local jurisdiction advisors required to wind-down the Asia operations.

19. Wind-Down Costs

Corporate / other costs include accounting, insurance, occupancy, incentive compensation, and other critical personnel needed to assist the chapter 7 trustee with the wind-down. Total corporate operational disbursements are estimated at \$4 million for the liquidation period.

CLAIMS:

20. Secured Claims

Secured claims consist of the term loan pre-petition principal and pre-petition accrued interest of \$291.1 million.

21. Chapter 11 Administrative Claims

All Debtors are jointly and severally liable to satisfy chapter 11 administrative claims before any value can be distributed to lower priority claims. Administrative Claims consist of:

- **Chapter 11 Post-petition Professional Fees Claims:** Post-petition professional fees that remain outstanding at the Conversion Date are estimated to be \$4.5 million. It is assumed that all incurred fees for retained professionals will be paid in full out of the escrow.
- **Chapter 11 Administrative Claims:** Third party administrative claims are estimated based on projected disbursement run rates and payment timing in October 2019, as well as estimated amounts for certain Administrative Claims that have been filed.
- **503(b)(9) Claims:** \$1 million of prepetition 503(b)(9) claims were estimated to remain outstanding as of the Conversion date.
- **Diminution in Value Claims:** The Liquidation Analysis does not take account of diminution in value claims. Allowed diminution in value claims, however, would reduce recoveries set forth in the Liquidation Analysis for all holders of claims and interests junior to allowed diminution in value claims.

22. General Unsecured Claims

General Unsecured Claims consist of:

- **Liabilities Subject to Compromise:** Claims outstanding at the Conversion Date are estimated to be \$204.4 million for the Debtors based on the Period 6 (fiscal month ended July 2019) liabilities subject to compromise trial balance.
- **Lease Rejections:** These claims primarily include contract rejection claims related to the real estate leases as the Debtors' operations are wound-down and are preliminarily estimated at \$112.1 million at the Conversion Date.
- **Term Loan Deficiency Claim:** The deficiency claim under the Pre-petition Term Loan ranges between \$189.4 million and \$219.3 million. All Debtors that are borrowers and guarantors are jointly and severally liable for this claim.
- **Pre-petition Intercompany Claims:** There is \$1.2 billion of pre-petition intercompany debt and \$2.5 billion of pre-petition intercompany trade outstanding at the Conversion Date.

Exhibit F

Estimation of Payless' Enterprise Value

ESTIMATION OF THE COMPANY'S ENTERPRISE VALUE

Overview

THE INFORMATION CONTAINED HEREIN IS NOT A PREDICTION OR GUARANTEE REGARDING, AND PJ SOLOMON SECURITIES, L.P. (“PJ SOLOMON”) DOES NOT EXPRESS ANY VIEW OR OPINION AS TO, THE PRICE OR RANGE OF PRICES AT WHICH THE SHARES OF COMMON STOCK OR OTHER SECURITIES OF THE DEBTORS AND THEIR NON-DEBTOR AFFILIATES (COLLECTIVELY, THE “COMPANY”) MAY TRADE, BE SALEABLE OR OTHERWISE BE TRANSFERABLE AT ANY TIME, INCLUDING SUBSEQUENT TO CONSUMMATION OF THE PLAN. THE SUMMARY SET FORTH BELOW DOES NOT PURPORT TO BE A COMPLETE DESCRIPTION OF THE INDICATIVE FINANCIAL ANALYSES PERFORMED BY PJ SOLOMON. THE PREPARATION OF SUCH ANALYSES INVOLVES VARIOUS COMPLEX DETERMINATIONS AND JUDGMENTS AS TO THE MOST APPROPRIATE AND RELEVANT METHODS OF FINANCIAL ANALYSIS AND THE APPLICATION OF THESE METHODS IN THE PARTICULAR CIRCUMSTANCES AND, THEREFORE, SUCH ANALYSES ARE NOT READILY SUSCEPTIBLE TO SUMMARY DESCRIPTION. MOREOVER, THE ESTIMATED ENTERPRISE VALUE AND ESTIMATED EQUITY VALUE (EACH AS DEFINED BELOW) OF AN OPERATING BUSINESS SUCH AS THE COMPANY ARE SUBJECT TO VARIOUS UNCERTAINTIES AND CONTINGENCIES THAT ARE DIFFICULT TO PREDICT AND WILL FLUCTUATE WITH CHANGES IN VARIOUS FACTORS AFFECTING THE FINANCIAL CONDITION, FINANCIAL PERFORMANCE AND FINANCIAL PROSPECTS OF SUCH A BUSINESS (INCLUDING, WITHOUT LIMITATION, GENERAL BUSINESS AND ECONOMIC CONDITIONS, CAPITAL MARKETS CONDITIONS AND INDUSTRY-SPECIFIC AND COMPANY SPECIFIC FACTORS, ALL OF WHICH ARE BEYOND THE CONTROL OF THE COMPANY AND PJ SOLOMON). ACCORDINGLY, THE ESTIMATES SET FORTH HEREIN ARE NOT NECESSARILY INDICATIVE OF ACTUAL OUTCOMES, WHICH MAY BE SIGNIFICANTLY MORE OR LESS FAVORABLE THAN THOSE SET FORTH HEREIN. BECAUSE SUCH ESTIMATES (INCLUDING ANY ESTIMATE OF THE ENTERPRISE VALUE OR EQUITY VALUE SET FORTH HEREIN) ARE INHERENTLY SUBJECT TO SUCH UNCERTAINTIES AND CONTINGENCIES, NONE OF THE COMPANY, PJ SOLOMON OR ANY OTHER PERSON ASSUMES ANY RESPONSIBILITY FOR THEIR ACCURACY OR ACHIEVABILITY. THE INFORMATION IS PRESENTED SOLELY FOR THE PURPOSE OF PROVIDING ADEQUATE INFORMATION UNDER SECTION 1125 OF THE BANKRUPTCY CODE TO ENABLE THE HOLDERS OF CLAIMS ENTITLED TO VOTE TO ACCEPT OR REJECT THE PLAN TO MAKE AN INFORMED JUDGMENT ABOUT THE PLAN AND SHOULD NOT BE USED OR RELIED UPON FOR ANY OTHER PURPOSE, INCLUDING THE PURCHASE OR SALE OF CLAIMS AGAINST THE COMPANY.

Estimated Enterprise Value of the Company

Based on the indicative financial analyses, review, discussions, considerations and assumptions outlined herein, PJ SOLOMON'S estimate of the Enterprise Value of the Company is a range between \$193 and \$259 million, with a midpoint of \$226 million. In connection with assessing the estimated Enterprise Value of the Company, PJ SOLOMON assumed that the Plan would be consummated in accordance with its terms and that all transactions contemplated by the Plan would be consummated by October 31, 2019, at which time the Debtors would emerge from the Chapter 11 Cases (the “Assumed Effective Date”). After deducting *pro forma* funded net debt of \$94 million as of the Assumed Effective Date, PJ SOLOMON's estimate of the Enterprise Value of the Company implies an estimated Equity Value of the Company (the “Equity Value”) ranging from \$99 million and \$165 million, with a midpoint of \$132 million.¹

¹ Distributable value available to the Debtors' creditors is net of, among other things, amounts owed on account of the CA Management Loan.

Certain Caveats and Considerations

PJ SOLOMON's analyses (and any materials provided in connection therewith) do not constitute a recommendation to the Board of Managers of Payless Holdings LLC or comparable board or governing body (or committee thereof) of any subsidiary of the Company with respect to the Plan, nor do they constitute an opinion as to fairness, from a financial point of view, of the consideration to be received under the Plan or of the terms and provisions thereof or advice or a recommendation to any Holder of any Claim as to how to vote or act in connection with the Plan. More specifically, PJ SOLOMON'S analyses (i) do not address the Debtors' or any Claim Holder's (or other stakeholder's) underlying business or financial decision to pursue the Plan (and any transactions contemplated thereby), the relative merits of the Plan and such transactions as compared to any alternative business or financial strategies that might exist for the Debtors or such Holders (or other stakeholders) or the effects of any other transaction in which the Debtors or such Holders (or other stakeholders) might engage; (ii) express no view or opinion as to (a) any term, aspect or implication of the Plan (including, without limitation, the form or structure of any transaction contemplated thereby) or any agreement, transaction document or instrument contemplated by the Plan or to be entered into or amended in connection with the Plan or (b) the fairness, financial or otherwise, of the Plan to, or of any consideration to be paid to or received by, the Holders of any Claim of the Company; (iii) express no view or opinion as to the fairness, financial or otherwise, of the amount or nature of any compensation payable to or to be received by any of the Company's officers, directors or employees, or any class of such persons, in connection with the Plan relative to the consideration to be received pursuant to the Plan or otherwise; and (iv) do not constitute a solvency opinion, a fair value opinion or a liquidation analysis prepared in connection with the Chapter 11 Cases or any other purpose.

In the course of performing its various indicative financial analyses to assess the estimated Enterprise Value of the Company, PJ SOLOMON:

- reviewed certain business and financial information regarding the business and prospects of the Company (including financial projections for the fiscal years 2019 through 2022 (the "Financial Projections")), all as prepared and provided to PJ SOLOMON by the Company's senior management ("Management") and certain of the Company's other advisors;
- discussed with the Management and certain of the Company's other advisors, as applicable, their respective views of the business, operations, historical and projected financial results and future prospects of the Company, as well as the key assumptions related to the Financial Projections;
- compared the financial performance of the Company with corresponding data for certain publicly traded companies that PJ SOLOMON deemed relevant in evaluating the Company;
- performed discounted cash flow analysis ("Discounted Cash Flow Analysis") based on the Financial Projections for the Company as furnished to PJ SOLOMON by Management and certain of the Company's other advisors; and
- conducted such other studies, analyses, inquiries and investigations as PJ SOLOMON deemed appropriate.

With respect to the information used in performing the indicative financial analyses described herein, PJ SOLOMON notes that:

- PJ SOLOMON relied upon and assumed the accuracy, completeness and reasonableness of all industry, business, financial, legal, regulatory, tax, accounting, actuarial and other information (including, without limitation, the Financial Projections, other estimates and other forward-looking information) furnished by or discussed with the Company and its other advisors or obtained from public sources, data suppliers and other third parties.

- PJ SOLOMON (i) does not assume any responsibility, obligation or liability for the accuracy, completeness, reasonableness, achievability or independent verification of, and PJ SOLOMON did not independently verify, any such information (including, without limitation, the Financial Projections and any other estimates and other forward looking information), (ii) expresses no view, opinion, representation, guaranty or warranty (in each case, express or implied) regarding the reasonableness or achievability of the Financial Projections, other estimates and other forward-looking information or the assumptions upon which they are based and (iii) relied upon the assurances of Management that they were unaware of any facts or circumstances that would make such information (including, without limitation, the Financial Projections and any other estimates or forward-looking information) incomplete, inaccurate or misleading.
- Specifically, with respect to (i) the Financial Projections, any other estimates and any other forward-looking information furnished by or discussed with the Company and its other advisors, (a) PJ SOLOMON was advised by Management, and PJ SOLOMON assumed, that such Financial Projections, other estimates and other forward-looking information utilized in its analyses had been reasonably prepared on bases reflecting the best then-currently available estimates and judgments of Management as to the expected future performance of the Company and the corporate income tax rates applicable to such Financial Projections, other estimates and other forward looking information and (b) PJ SOLOMON assumed that such Financial Projections, other estimates and other forward-looking information had been reviewed by Management with the understanding that such information would be used and relied upon by PJ SOLOMON in connection with performing the analyses described herein and (ii) any financial projections, other estimates and/or other forward looking information obtained by PJ SOLOMON from public sources, data suppliers and other third parties, PJ SOLOMON assumed that such information was reasonable and reliable.
- PJ SOLOMON further assumed that (i) in all respects meaningful to its analyses, (x) the Plan and the Disclosure Statement approved by the Bankruptcy Court will not differ materially from the Plan and Disclosure Statement reviewed by PJ SOLOMON, (y) the Company will comply with all terms and conditions of the Plan and the Disclosure Statement and (z) the representations and warranties of the Company contained in information in the Disclosure Statement are and shall at all times remain true and correct and all conditions to the obligations of each party to the aforementioned agreements and documents will be satisfied without any waiver, amendment or modification thereof and (ii) the Plan will be consummated in a timely manner and in compliance with all applicable laws, documents and other requirements, without any delays, limitations, restrictions, conditions, waivers, amendments or modifications (regulatory, tax-related or otherwise) that would have an effect on the Company in any way meaningful to PJ SOLOMON'S analyses.

PJ SOLOMON did not perform or obtain any independent appraisal of the assets or liabilities (including any contingent, derivative or off-balance sheet assets and liabilities) of the Company or any other entity and did not evaluate the solvency, the fair value or the liquidation value of the Company or any other entity under any relevant laws relating to bankruptcy, insolvency or similar matters.

PJ SOLOMON'S professionals are not legal, regulatory, tax, consulting, accounting, appraisal or actuarial experts and PJ SOLOMON'S analyses should not be construed as constituting advice with respect to such matters; accordingly, PJ SOLOMON relied on the assessments of Management and the Company's other advisors with respect to such matters. Management advised PJ SOLOMON that all tax affected financial projections, other estimates and other forward-looking information reflect the current US federal corporate income tax regime pursuant to the Internal Revenue Code of 1986, as amended; PJ SOLOMON did not consider or analyze the impacts of any potential or proposed reform thereof in connection with its analyses. PJ SOLOMON did not express any view or render any opinion regarding the tax consequences to the Company, any Holders of Claims or Interests or any of the Company's other stakeholders of the Plan becoming effective.

Summary of Indicative Financial Analyses

This “Summary of Indicative Financial Analyses” presents a summary of the principal indicative financial analyses performed by PJ SOLOMON in connection with assessing the Enterprise Value of the Company as described elsewhere herein.

PJ SOLOMON’S indicative financial analyses, particularly those based on estimates and projections, are themselves estimates and are not assurances of actual values or actual future results, which may be significantly more or less favorable than suggested by these analyses. This “Summary of Indicative Financial Analyses” must be considered as a whole and should be read in conjunction with the Plan and the Disclosure Statement.

In assessing the estimated Enterprise Value of the Company PJ SOLOMON:

- based its indicative financial analyses on various assumptions, including assumptions concerning general business and economic conditions, capital markets conditions and industry-specific and company-specific factors, all of which are beyond the control of the Company and PJ SOLOMON;
- did not form a view or opinion as to whether any individual analysis or factor, whether positive or negative, considered in isolation, supported or failed to support its analysis; and
- ultimately arrived at its assessment based on the results of all of its indicative financial analyses assessed as a whole and believes that the totality of the factors considered and the various indicative financial analyses performed by PJ SOLOMON in connection with its assessment of estimated Enterprise Value of the Company operated collectively to support its assessment.

PJ SOLOMON employed three valuation methodologies (commonly used by investment bankers and other finance practitioners) to estimate the Enterprise Value of the Company: (i) Selected Public Company Analysis (as defined below), (ii) Selected Guideline Transaction Analysis (as defined below) and (iii) Discounted Cash Flow Analysis.

Selected Public Company Analysis

Selected Public Company Analysis involves estimating a subject company’s stand-alone fully distributed public market trading value based on both qualitative and quantitative reviews and analyses of the subject company versus certain publicly traded companies which are deemed to be reasonably comparable to the subject company (“Selected Public Company Analysis”). In order to assess how the public market values shares of selected publicly traded companies that PJ SOLOMON deemed relevant in its professional judgment, PJ SOLOMON reviewed and compared selected financial information concerning the Company with similar information using publicly available information for both Latin America and IPCo. Criteria for selecting comparable companies for this analysis include, among other relevant characteristics, similar lines of business, business risks, growth prospects, location of primary markets, size and scale of operations. Comparable companies for Latin America consisted of publicly traded retailers with operations in Latin American countries. Comparable companies for IPCo consisted of U.S. based brand managers in the retail space.² Among other things, such quantitative analyses typically include calculating various prevailing public market trading valuation multiples (based on various financial metrics considered appropriate given the subject company’s and its peer group’s industry or sector) and then assessing such public market trading valuation multiples in the context of both historical and projected/forecasted financial performance.

² The list of comparable companies for Latin America included, but was not limited to, Falabella, Lojas Renner, El Puerto de Liverpool, Lojas Americanas, Cencosud, InRetail Peru, Grupo Exito, Grupo Sandbors, Soriana, PriceSmart Brazil, Cia. Hering, and Hites. The list of comparable companies for IPCo included, but was not limited to, Sequential Brands Group, Iconix Brand Group, Xcel Brands, and Apex Global Brands.

With respect to its Selected Public Company Analysis related to the Company, PJ SOLOMON notes that:

- None of the selected publicly traded companies used in the Selected Public Company Analysis is identical or directly comparable to the Company; however, such transactions involved companies which may be considered broadly similar, for purposes of PJ SOLOMON's indicative financial analyses, to the Company based on PJ SOLOMON's familiarity with the global retail and licensing industries.
- In any event, the Selected Public Company Analysis is not mathematical; rather, such analysis involves complex considerations and judgments concerning the differences in business, financial, operating and capital markets-related characteristics and other factors regarding the selected publicly traded companies to which the Company was compared.

Selected Guideline Transaction Analysis

Selected Guideline Transaction Analysis involves estimating a subject company's stand-alone fully distributed public market trading value based on both qualitative and quantitative reviews and analyses of the subject company versus certain target companies of transactions which are deemed to be reasonably comparable to the subject company ("Selected Guideline Transaction Analysis"). Criteria for selecting comparable transactions for this analysis include, among other relevant characteristics, similar lines of business, business risks, growth prospects, location of primary markets, size and scale of operations. Among other things, such quantitative analyses typically include calculating various transaction valuation multiples (based on various financial metrics considered appropriate given the subject company's and its peer group's industry or sector) and then assessing such transaction valuation multiples in the context of both historical and projected/forecasted financial performance.

- None of the selected guideline transactions used in the Selected Guideline Transaction Analysis is identical or directly comparable to the Company; however, such transactions involved companies that PJ SOLOMON considered broadly similar, for purposes of PJ SOLOMON'S indicative financial analyses, to the Company based on PJ SOLOMON's familiarity with the global retail and licensing industries.
- In any event, the Selected Guideline Transaction Analysis is not mathematical; rather, such analysis involves complex considerations and judgments concerning the differences in business, financial, operating and capital markets-related characteristics and other factors regarding the selected transaction target companies to which the Company was compared.

Discounted Cash Flow Analysis

Discounted Cash Flow Analysis involves estimating a subject company's "intrinsic value" based on the sum of the present values of its (i) projected/forecasted annual unlevered after-tax free cash flows during an explicit projection/forecast period and (ii) terminal/continuing value beyond the explicit projection/forecast horizon. PJ SOLOMON typically estimates the subject company's terminal/continuing value by applying a range of assumed perpetual growth rates to the subject company's projected/forecasted normalized unlevered after-tax free cash flow in the terminal year. The present values of such projected/forecasted annual unlevered after-tax free cash flows and terminal/continuing value are then calculated by discounting them back to the present date based on the subject company's estimated weighted average cost of capital.

PJ SOLOMON performed an illustrative discounted cash flow analysis of Latin America and IPCo using the Company's financial forecasts for the period beginning on November 1, 2019 through the fiscal year ending January 31, 2024 and other information and data provided by the Company's management to

calculate the present value of the estimated unlevered after-tax free cash flows projected to be generated by Latin America and IPCo separately. For purposes of its illustrative discounted cash flow analysis, PJ SOLOMON utilized a range of terminal value multiples from 6.5x to 8.5x applied to Latin America's estimated EBITDA and 6.5x to 7.5x applied to IPCo's estimated EBITDA for the fiscal year ending January 31, 2024. PJ SOLOMON derived these terminal values in its professional judgment based on the trading valuation multiples developed by PJ SOLOMON in its selected companies analysis. The cash flows and terminal values were then discounted to present value as of August 16, 2019 using various discount rates ranging from 13.0% to 15.0% for Latin America and 8.3% to 10.3% for IPCo, which ranges were selected based on PJ SOLOMON's professional judgment and after taking into consideration, among other things, an estimate of the weighted average cost of capital of Latin America and IPCo as well as certain other companies deemed comparable to the Latin America and IPCo respectively by PJ SOLOMON in its professional judgment.

With respect to its Discounted Cash Flow Analysis of the Company, PJ SOLOMON notes that:

- The estimates of free cash flow for the Company for the period beginning on November 1, 2019 through the fiscal year ending January 31, 2024 were derived by PJ SOLOMON using the earnings before interest and taxes, or "EBIT," set forth in the Company's forecasts. Using the EBIT provided in such forecasts and the Company's projected marginal tax rate, PJ SOLOMON first calculated tax-effected EBIT for the remainder of 2019 and through fiscal year ending January 31, 2024. PJ SOLOMON then added depreciation and amortization estimates set forth in the Company's forecasts, and subtracted the estimated capital expenditures and changes in net working capital set forth in the Company's forecasts.
- As mentioned elsewhere herein, the Financial Projections are subject to various uncertainties and contingencies that are difficult to predict and depend on various factors affecting the financial condition, financial performance and financial prospects of the Company (including, without limitation, general business and economic conditions, capital markets conditions and industry specific and company-specific factors, all of which are beyond the control of the Company and PJ SOLOMON).
- Accordingly, the Financial Projections and the Discounted Cash Flow Analysis are not necessarily indicative of actual outcomes or values, which may be significantly more or less favorable than as set forth in or implied by such Financial Projections.

UNLESS OTHERWISE INDICATED HEREIN, THE FOREGOING INDICATIVE FINANCIAL ANALYSES ARE BASED ON THE FINANCIAL PROJECTIONS AND ON MARKET DATA AS OF AUGUST 16, 2019, REFLECT INFORMATION MADE AVAILABLE TO PJ SOLOMON AS OF OR PRIOR TO SUCH DATE AND ARE BASED ON ECONOMIC, CAPITAL MARKETS AND OTHER CONDITIONS AS OF SUCH DATE. ALTHOUGH THE FOREGOING INDICATIVE FINANCIAL ANALYSES MAY BE AFFECTED BY SUBSEQUENT DEVELOPMENTS, PJ SOLOMON ASSUMES NO RESPONSIBILITY FOR UPDATING OR REVISING THE COMPANY'S ESTIMATED ENTERPRISE VALUE OR ESTIMATED EQUITY VALUE FOR ANY REASON, WHETHER DUE TO FACTS, CIRCUMSTANCES OR EVENTS OCCURRING AFTER SUCH DATE OR OTHERWISE.

EXHIBIT "C"
MONITOR'S SUPPLEMENTAL REPORT

Court File No. CV-19-00614629-00CL

**PAYLESS SHOESOURCE CANADA INC. and
PAYLESS SHOESOURCE CANADA GP INC.**

**SUPPLEMENT TO THE FIFTH REPORT OF FTI CONSULTING CANADA
INC., AS MONITOR**

September 17, 2019

**ONTARIO
SUPERIOR COURT OF JUSTICE
(COMMERCIAL LIST)**

**IN THE MATTER OF THE *COMPANIES' CREDITORS ARRANGEMENT ACT*,
R.S.C. 1985, c. C-36, AS AMENDED**

**AND IN THE MATTER OF A PLAN OF COMPROMISE OR ARRANGEMENT OF
PAYLESS SHOESOURCE CANADA INC. AND PAYLESS SHOESOURCE CANADA
GP INC.**

**SUPPLEMENT TO THE FIFTH REPORT TO THE COURT
SUBMITTED BY FTI CONSULTING CANADA INC.,
IN ITS CAPACITY AS MONITOR**

A. INTRODUCTION

1. On September 12, 2019, the Monitor filed its Fifth Report to the Court (the "**Fifth Report**") in relation to the relief sought by the Payless Canada Entities at a hearing scheduled for September 17, 2019. The Fifth Report noted that the Monitor intended to file a supplemental report to summarize and comment on the proposed CCAA Plan. This is that supplemental report (the "**Supplemental Report**").

B. PURPOSE

2. The purpose of this Supplemental Report is to provide the Court with the Monitor's comments and/or recommendations regarding:
 - (a) an update in respect the Second Amended U.S. Plan (as defined below); and
 - (b) the Payless Canada Entities' Plan of Compromise and Arrangement (the "**CCAA Plan**") dated September 17, 2019.

C. TERMS OF REFERENCE

3. In preparing this Supplemental Report, the Monitor has relied upon audited and unaudited financial information provided by the Debtors, including their books and records, financial information, forecasts and analysis, in addition to discussions with various parties,

including senior management ("**Management**") of, and advisors to, the Payless Canada Entities, the other Debtors, and Ankura (collectively, the "**Information**").

4. Except as otherwise described in the Supplemental Report:
 - (a) the Monitor has not audited, reviewed or otherwise attempted to verify the accuracy or completeness of the Information in a manner that would comply with Generally Accepted Assurance Standards pursuant to the Chartered Professional Accountants of Canada Handbook; and
 - (b) the Monitor has not examined or reviewed the financial forecasts or projections referred to in the Supplemental Report in a manner that would comply with the procedures described in the Chartered Professional Accountants of Canada Handbook.
5. Future-oriented financial information reported in or relied on in preparing the Supplemental Report is based on Management's and Ankura's assumptions regarding future events. Actual results will vary from these forecasts and such variations may be material.
6. The Monitor has prepared this Supplemental Report in connection with certain relief originally sought in connection with the September 17 Motion and now scheduled to be heard on September 19, 2019 at 9:15am. The Supplemental Report should not be relied on for any other purpose.
7. Unless otherwise stated, all monetary amounts contained herein are expressed in Canadian Dollars.
8. Capitalized terms not otherwise defined herein have the meanings ascribed to them in the Frankum Affidavit (as defined in the Fifth Report), the Marotta Affidavit (as defined below), the Meetings Order, the Pre-Filing Report, the First Report, the Second Report, the Third Report, the Fourth Report and/or the Fifth Report, as applicable.

D. UPDATE IN RESPECT OF THE SECOND AMENDED U.S. PLAN

9. As described in the Affidavit of Stephen Marotta sworn September 17, 2019 (the "**Marotta Affidavit**"), the Monitor understands that the U.S. Debtors have further amended the U.S. Plan and the U.S. Disclosure Statement (the "**Second Amended U.S. Plan**" and the "**Second Amended Disclosure Statement**", respectively). Copies of the Second Amended U.S. Plan and Second Amended U.S. Disclosure Statement are included as Exhibit "B" and Exhibit "C", respectively, to the Marotta Affidavit.
10. The Marotta Affidavit also attaches an information memorandum (the "**Information Memorandum**") which is intended to provide creditors of the Payless Canada Entities with a summary regarding the CCAA Proceedings and the Chapter 11 Proceedings and the impact of the Second Amended U.S. Plan on the CCAA Plan and creditors of the Payless Canada Entities. The Information Memorandum is included as Exhibit "D" to the Marotta Affidavit.
11. As described in more detail in the Marotta Affidavit, the Monitor understands that the Second Amended U.S. Plan provides for distributions to stakeholders as follows:
 - (a) Administrative Claims (post-filing claims entitled to priority under U.S. law), Other Priority Claims (claims entitled to priority) and Other Secured Claims (mostly, claims secured by cash deposits or letters of credit), will be paid in full in cash.
 - (b) Term Loan Lenders holding Tranche A-1 Term Loan Secured Claims will receive their *pro rata* share of US\$68,800,000 in cash (an increase of approximately US\$1.8 million from the prior version filed) and will waive any distributions in respect of related deficiency claims.
 - (c) Term Loan Lenders holding Tranche A-2 Term Loan Secured Claims can elect to receive their *pro rata* share of common ownership units in the reorganized Payless Holdings LLC, or cash in the amount of 10% of their allowed tranche A-2 claims, and in either case, will waive any distributions in respect of related deficiency claims.

- (d) General Unsecured Creditor recovery has been revised to reflect the global settlement with the Official Committee of Unsecured Creditors including:
 - i. General Unsecured Creditors of Payless ShoeSource Worldwide, Inc. and Collective Brands Logistics Limited (Class 5A) ("**Class 5A General Unsecured Creditors**") will receive their *pro rata* share of US\$8.4 million, plus certain unused amounts currently designated for professional fees; and
 - ii. General Unsecured Creditors of all other U.S. Debtors (Class 5B) ("**Class 5B General Unsecured Creditors**"), will receive their *pro rata* share of US\$5.1 million, plus certain unused amounts currently designated for professional fees (less the Canadian GUC Amount of US\$900,000);
 - (e) Intercompany claims will be reinstated or cancelled as determined by the U.S. Debtors and the Requisite Plan Support Parties, and with respect to the Payless Canada Entities, with the consent of the Payless Canada Entities;
 - (f) Intercompany equity interests will be reinstated or cancelled as determined by the U.S. Debtors and the Requisite Plan Support Parties; and
 - (g) Equity interests in Payless Holdings LLC will be cancelled for no consideration.
12. The fixed amount for distribution to the general unsecured creditors of the Payless Canada Entities is USD\$900,000 (being referred to as the "**Canadian GUC Amount**"), which the Monitor understands will be converted to Canadian dollars in the amount of \$1,183,500.00 (using the exchange rate of 1.315).
13. The Payless Canada Entities, as guarantors, are indebted to the Term Loan Lenders in the aggregate amount of US\$277.2 million as of the Filing Date under and in respect of the Terms Loan Credit Facility. The Monitor has received an opinion from its independent counsel that, subject to the typical assumptions and qualifications, the security in respect of the Terms Loan Credit Facility is valid and enforceable. Since all, or substantially all, of the Payless Canada Entities' assets are subject to liens of the Terms Loan Lenders (who will not be paid in full), the Canadian GUC Amount is a "gift", which the Terms Loan Lenders advise would not be available in a bankruptcy.

14. The Class 5A General Unsecured Creditors will receive a distribution larger than the Class 5B General Unsecured Creditors because Payless ShoeSource Worldwide, Inc. and Collective Brands Logistics Limited have certain additional unencumbered assets to support a higher distribution to unsecured creditors of those entities.
15. The Monitor is of the view that the unsecured creditors of the Payless Canada Entities are similarly situated to the Class 5B General Unsecured Creditors, and as such should be treated equitably with the Class 5B General Unsecured Creditors.
16. As described in the Marotta Affidavit, the U.S. Debtors and the Payless Canada Entities, with the assistance of the Monitor, compared the total amount of claims asserted in the Chapter 11 Claims Process and in the CCAA Proceedings pursuant to the Claims Procedure Order. Although a formal claims reconciliation process has not yet been undertaken in either jurisdiction, solely for purposes of this analysis:
 - (a) all suspected duplicate claims, including claims filed against the Payless Canada Entities which were properly considered to be filed against the U.S. Debtors, were eliminated;
 - (b) all unliquidated claims were estimated at zero;
 - (c) all intercompany claims were disregarded;
 - (d) the restructuring period claim in respect of each Canadian Lease was calculated under the landlord formula provided for in the United States Bankruptcy Code, which limits landlord claims to the greater of one lease year or 15 percent, not to exceed three years, of the remaining lease term plus any pre-filing amounts owed; and
 - (e) all other claims were assumed allowed in full in the amounts set out in the U.S. schedules, the U.S. proofs of claim, the Claim Statements, the Amended Claim Statements or the Proofs of Claim.
17. Based on this analysis, the U.S. Debtors and the Payless Canada Entities, with the assistance of the Monitor, estimated that the recovery to unsecured creditors of the

applicable U.S. Debtors and the recovery (on a *pro rata* basis) to unsecured creditors of the Payless Canada Entities would be approximately 3.2%, subject to further reconciliation and finalization of Claims.

E. THE CCAA PLAN

18. The Monitor had input into the development of the CCAA Plan, has reviewed it, and is of the view that it is appropriate and reasonable for the Payless Canada Entities to seek the approval of the CCAA Plan by affected creditors at this time. A copy of the CCAA Plan is included as Exhibit "A" to the Marotta Affidavit.

Classification of, and Distributions to, Affected Creditors

19. As described in the Fifth Report and the Marotta Affidavit, the CCAA Plan provides for two (2) classes of voting under the CCAA Plan: (i) the General Unsecured Creditor class and (ii) the Landlord class.
20. It is proposed that each General Unsecured Creditor with a Proven Claim will receive a distribution in an amount equal to its *pro rata share* of the General Unsecured Pool. It is estimated that each General Unsecured Creditor will receive a recovery of approximately 3.2% of its Proven Claim subject to further reconciliation and finalization of Claims. With respect to Landlords, the CCAA Plan provides that each Landlord will receive the lesser of:
- (a) \$3,840.00 per Lease (provided that if there are multiple Landlords per Lease, only one payment of \$3,840.00 shall be made); or
 - (b) the amount asserted in the Landlord's Notice of Dispute of Claim Statement or Proof of Claim, or if no Notice of Dispute of Claim Statement or Proof of Claim was filed, then the amount in the Landlord's Claim Statement.
21. A summary of the Claims filed pursuant to the Claims Procedure Order was provided in the Fifth Report. The Landlords are cumulatively the largest unsecured creditor group of the Payless Canada Entities. To date, the Monitor has received 254 Notices of Dispute of Claim Statement from the Landlords. As described in the Marotta Affidavit, because of the

relatively modest pool of funds available for unsecured creditors in Canada and the difficulty in reconciling Landlord Claims, the CCAA Plan proposes a fixed recovery per Landlord Claim. If the Payless Canada Entities and/or the Monitor were required to reconcile each Landlord Claim, including reviewing the specific terms of each relevant lease and the Landlord's efforts to mitigate damages, the Monitor believes that most (if not all) funds that would otherwise be available for distribution to unsecured creditors would be spent on professional fees. Fixing the recovery in respect of Landlord Claims allows the Payless Canada Entities and the Monitor to undertake a much more limited review of such Claims, which in turn, reduces professional costs and returns more value to unsecured creditors. The Monitor believes that this approach is appropriate and reasonable in the unique circumstances of this case, particularly the fixed Canadian GUC Amount available and relatively modest estimated recovery.

22. The Monitor is of the view that the fact that the Claims of Landlords and General Unsecured Creditors are being treated differently (although equitably) under the CCAA Plan justifies two separate voting classes.
23. The Payless Canada Entities and the Monitor arrived at the estimated distribution of \$3,840.00 per Lease by examining the estimated percentage recovery to General Unsecured Creditors and Landlords under various scenarios.
24. The Monitor is of the view that the quantum of the proposed fixed distribution to Landlords is appropriate in the circumstances because:
 - (a) it is subject to reduction if the amount asserted in the Landlord's Notice of Dispute of Claim Statement, or, in the Landlord's Claim Statement if no Notice of Dispute of Claim Statement was filed, is less than \$3,840.00;
 - (b) based on current estimates, it will result in an estimated recovery to General Unsecured Creditors of approximately 3.2% subject to further review and finalization of Claims, which is consistent with the current estimated recovery for Class 5B General Unsecured Creditors under the Second Amended U.S. Plan; and

- (c) subject to any reduction referred to in (a) above, based on current estimates, it will result in a recovery to Landlords of approximately 3.2% based on how their claims would be calculated under the United States Bankruptcy Code, which is consistent with the current estimated recovery for landlords who are Class 5B General Unsecured Creditors.
25. The Monitor recognizes and acknowledges that under the CCAA, Landlord Claims are not to be calculated based on the formula set out in the United States Bankruptcy Code. However, given the unique circumstances of this case, as discussed above, the Monitor believes it is fair and appropriate to consider what Landlords would have received under the United States Bankruptcy Code in determining the appropriate distribution for the Landlords.
26. The Monitor has been very focused on ensuring that unsecured creditors of the Payless Canada Entities are treated equitably with similarly situated unsecured creditors of the U.S. Debtors, and the Monitor believes that has been achieved in the CCAA Plan. The Monitor notes that the Payless Canada Entities are U.S. Debtors and as such, any Canadian GUC Amount contemplated under the CCAA Plan ought to be equivalent to what they would have otherwise received under the U.S. Plan.
27. Pursuant to the terms of the CCAA Plan, no distributions will be made to Landlords or General Unsecured Creditors until documentation in form and content satisfactory to the Payless Canada Entities, the Supporting Term Loan Lenders and the Monitor (the "**Comfort Letter**") is received from the applicable Governmental Entity authorizing the Monitor to make the distributions, disbursements, or payments without any liability to any of the Payless Canada Entities, the Monitor, or each of their respective Directors, Officers, employees or agents in respect of the ITA, *Excise Tax Act*, and any other legislation pertaining to Taxes is received. The CCAA Plan provides that in the event the Comfort Letter is not received by December 31, 2019, the Payless Canada Entities may seek further directions from the Court.
28. The Monitor is of the view that receipt of the Comfort Letter prior to making distributions is necessary in order to eliminate the risk of any potential tax-related liability that could

arise in connection with the distributions to be made to the General Unsecured Creditors and the Landlords.

29. The CCAA Plan provides that further information regarding the treatment of Intercompany Claims will be provided in the Plan Supplement (which is described below).

Reserves

30. The CCAA Plan contemplates the creation of certain reserves (collectively, the "**Reserves**") in respect of Priority Claims and Claims that are required to be paid by Court order. In particular, the CCAA Plan provides for:
 - (a) an Administrative Reserve, which will hold the estimated costs of administering the CCAA Plan;
 - (b) a Directors' Claim Reserve, which will hold amounts secured by the Directors' Charge until applicable Claims have been resolved or paid;
 - (c) Priority Claim Reserve, which will hold amounts necessary to pay any Crown Priority Claims or Employee Priority Claims that remain unpaid; and
 - (d) a Post-Filing Claim Reserve, which will include an amount to pay for any unpaid Post-Filing Claims as estimated by the Monitor prior to implementation.
31. The Reserves will be subject to the security of the Term Loan Agent.
32. The CCAA Plan provides that the amount of the Reserves will be set out in the Plan Supplement, which must be acceptable to the Payless Canada Entities, the Monitor and the Supporting Term Loan Lenders.
33. To the extent that a Claim may be payable from more than one Reserve, the Monitor understands that the Payless Canada Entities will only reserve for such Claim once. To the extent that the Payless Canada Entities or the Monitor determine (with the consent of the other party) that there are funds in any Reserve sufficiently in excess of the amount required to fund payments that may be required to be made from such Reserve, the Payless Canada

Entities, with the consent of the Monitor and in consultation with the Term Loan Lenders, may transfer such excess funds to another Reserve.

34. To the extent that the Payless Canada Entities or the Monitor determine, with the consent of the other party, that there are insufficient funds in any Reserve to fund payments that may be required to be made from such Reserve, no excess amounts from any other Reserves will be distributed to the Payless Canada Entities without ensuring that sufficient funds are added to the applicable Reserve.
35. In the event that a dispute arises in respect of the Reserves, the parties to such dispute may seek a further order of the Court.
36. The Monitor intends to report on the Reserves in a further report to Court once they are determined.

Releases

37. The CCAA Plan contains broad releases of the Payless Canada Entities, the Term Loan Agent, the Term Loan Lenders and the Monitor, and each of their respective directors, officers, agents, professionals and certain other parties. The Monitor notes that the releases specifically do not release:
 - (a) the Payless Canada Entities and their respective assets, undertaking and properties from any Unaffected Claim that has not been paid in full under the CCAA Plan or the Plan Supplement to the extent of such non-payment;
 - (b) a Released Party (as defined below) from its obligations under the CCAA Plan or the Plan Supplement;
 - (c) subject to provisions in the CCAA Plan pertaining to insurance, a Released Party found by a court of competent jurisdiction by final determination on the merits to have committed fraud or willful misconduct in relation to a Released Claim for which it is responsible at law; or
 - (d) subject to provisions in the CCAA Plan pertaining to insurance, the Directors from any Claims which have been preserved in accordance with the Claims Procedure

Order that cannot be compromised due to the provisions of Section 5.1(2) of the CCAA. To the extent not released, the proposed Sanction Order will limit recovery for such claims against the Directors to available insurance.

38. The breadth and scope of the releases were developed by the Payless Canada Entities with input from the Monitor. The Monitor notes that all of the parties benefiting from the proposed releases under the CCAA Plan (each a "**Released Party**" and collectively, the "**Released Parties**") have played a significant role in the Payless Canada Entities' CCAA Proceedings. The Monitor also understands that the releases being sought by the Payless Canada Entities are critical to the Released Parties' support of the CCAA Plan.

Conditions to Implementation of CCAA Plan

39. The Monitor notes that there are a number of conditions to the implementation of the CCAA Plan that must be satisfied or waived, each of which is set out below:
- (a) the CCAA Plan must be approved by the Required Majorities;
 - (b) the Court must grant the Sanction Order, the operation and effect of which must not be stayed, reversed or amended, and in the event of an appeal or application for leave to appeal, final determination must be made by the appellate court;
 - (c) the Reserves and the Affected Creditor Distribution Account must be funded by the Payless Canada Entities;
 - (d) the U.S. Proceedings with respect to the Payless Canada Entities must be dismissed;
 - (e) the U.S. Plan must be effective;
 - (f) the Monitor must receive written confirmation from the Term Loan Agent/Supporting Term Loan Lenders that the Supporting Term Loan Lenders are satisfied with:
 - i. the treatment of the Post-Filing Intercompany Loans,
 - ii. the form and substance of the Plan Supplement; and

- iii. all variations and modifications of, and amendments and supplements to the Plan, the Plan Supplement and the Sanction Order, to and including the Implementation Date; and
 - (g) the Implementation Date must occur no later than the Outside Date.
40. The condition in (e) above may not be waived without the consent of the Supporting Term Loan Lenders, and the condition in (f) above may only be waived by the Supporting Term Loan Lenders.

Plan Supplement

41. The Payless Canada Entities, the Monitor and the Supporting Term Loan Lenders are continuing to consider the technical steps required to implement the CCAA Plan and the most efficient way to distribute funds in respect of the Term Loan Claims outside of the CCAA Plan. The Monitor expects that the determination of such steps will not impact Affected Creditors' recoveries, but will be necessary to quantify the Reserves. Additionally, given that the Term Loan Claims are Unaffected Claims under the CCAA Plan, the determination of such steps will also be necessary to quantify and determine the mechanics in respect of the distributions to be made to the Term Loan Claims outside of the CCAA Plan.
42. The proposed Meetings Order contemplates that the Payless Canada Entities file a Plan Supplement no later than five (5) Business Days prior to the Creditors' Meetings (or such other date as may be agreed to by the Monitor) providing such additional information in respect of the CCAA Plan. The Plan Supplement will be served on the Service List and posted on the Monitor's Website.
43. The Plan Supplement will be in form and substance acceptable to the Payless Canada Entities, the Monitor and the Supporting Term Loan Lenders.

F. CONCLUSION

44. The Monitor believes that the CCAA Plan should be accepted for filing and should be put out for a vote at the Creditors' Meetings as:

- (a) The CCAA Plan was negotiated at arm's length, in good faith between the Payless Canada Entities and its stakeholders, with significant input and oversight from the Monitor;
 - (b) It is reasonable for the CCAA Plan to be subject to approval by two classes of creditors, being:
 - i. the General Unsecured Creditor class; and
 - ii. the Landlord class;
 - (c) In the Circumstances, the CCAA Plan represents the best possible recovery for Affected Creditors; and
 - (d) The recoveries for General Unsecured Creditors and Landlords are expected to be commensurate with similarly situated creditors of the U.S. Debtors;
45. For the reasons stated in the Fifth Report and this Supplemental Report, the Monitor supports the relief sought by the Payless Canada Entities in connection with the September 17 Motion.

The Monitor respectfully submits to the Court this, its Supplemental Report.

Dated this 17th day of September, 2019.

FTI Consulting Canada Inc.,
solely in its capacity as Monitor of Payless ShoeSource Canada Inc.,
Payless ShoeSource Canada GP Inc. and Payless ShoeSource Canada LP,
and not in its personal capacity



Greg Watson
Senior Managing Director



Paul Bishop
Senior Managing Director